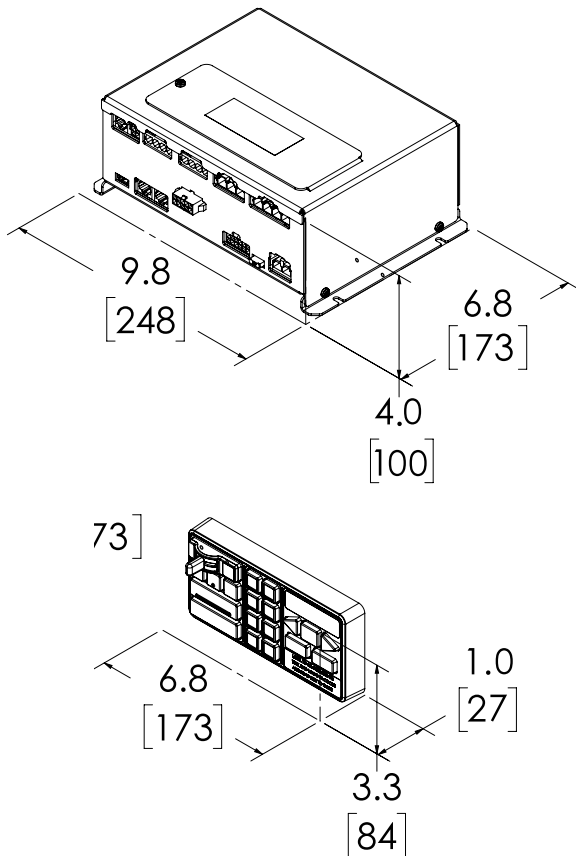


Z3S™ SIREN - MATRIX® ENABLED

EASY TO OPERATE CONTROL HEAD



The Z3S™ Siren's intuitive design efficiently integrates the unit's emergency warning systems. The controller has three distinct zones: sirens and primary lighting, auxiliary devices and traffic or warning function. Adjust backlight brightness and public address microphone to accommodate various light and noise conditions. Additional features include a built-in battery voltage check, sleep mode timer and configurable buttons to control auxiliary or siren functions via Matrix® software.



| VOLTS AMPS | 12V 1.9A |
|--------------|--|
| WATTS | 200W / 300W |
| DIMS | 3.3" H x 6.8" L x 1" D 84mm H x 172mm L x 27mm D (control head) 4" H x 9.75" L x 6.8" D 100mm H x 248mm L x 172mm D (amplifier) |
| CERTS | J1849, CA T13, R10 |
| DETAILS | <ul style="list-style-type: none"> • 18 configurable outputs; 2 – 20A, 8 – 10A, 8 – 500mA • 13 configurable inputs • Push button or rotary control head • Customized patterns available to be programmed for ArrowStik® through Matrix software® |
| MODEL | TYPE |
| Z3SP-1 | Z3 Serial With Push Button Control Head |
| Z3SR-1 | Z3 Serial With Rotary Control Head |
| Z3SXP-1 | Z3 Serial With Banshee Built-In, Push Button Control Head |
| Z3SXR-1 | Z3 Serial With Banshee Built-In, Rotary Control Head |