

Part #500714-001

Product Manual:

Model #FT-C70

Carbon Fiber Composite Fall Arrest Tower




PELSUE[®]
ISO 9001 Certified

T.A. Pelsue Company

2500 South Tejon Street

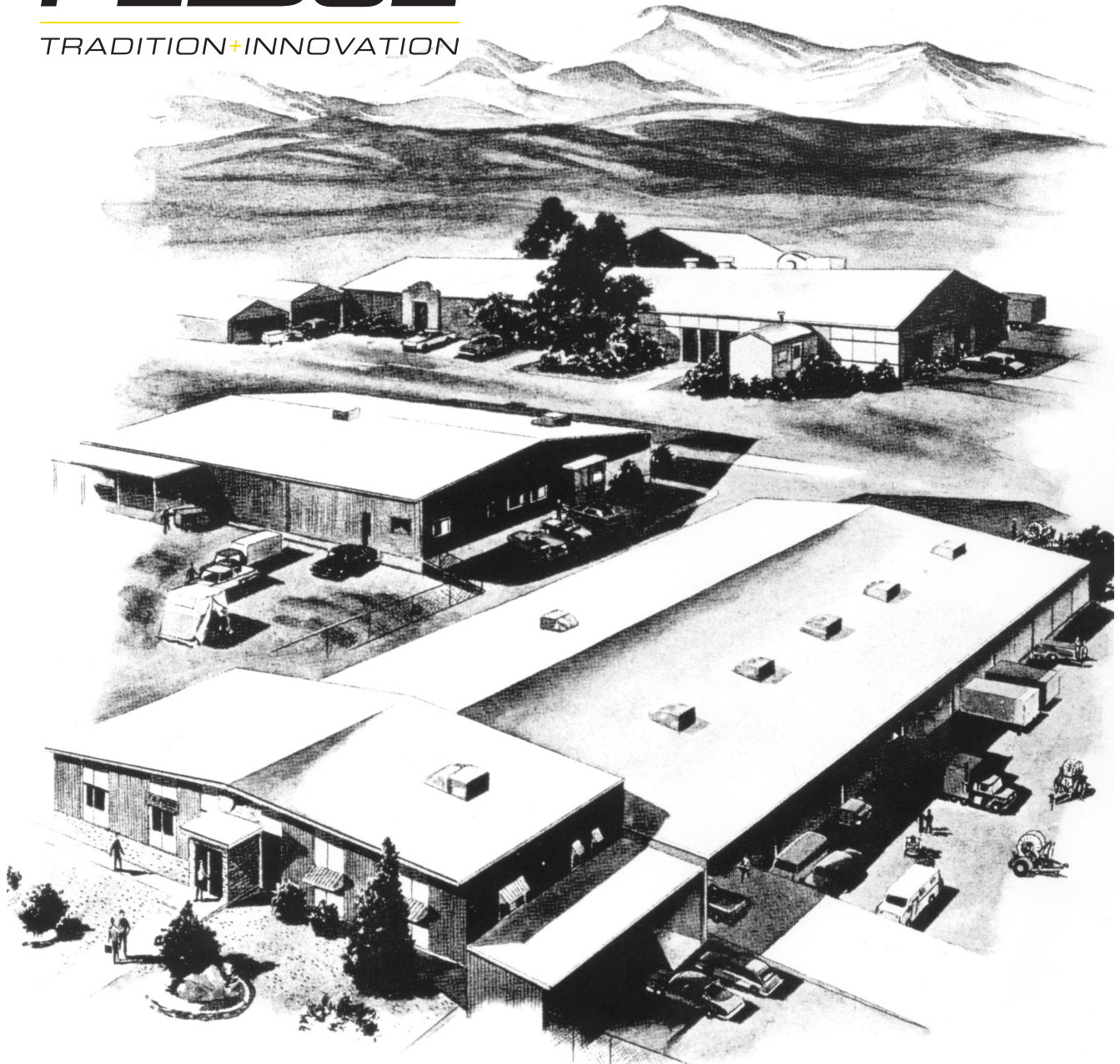
Englewood, Colorado, USA 80110

Tel. 800-525-8460 or 303-936-7432

Fax. 303-934-5581

Internet: www.pelsue.com

Email: sales@pelsue.com



Since our inception in 1963 – the T.A. Pelsue Company has designed and manufactured high quality equipment to improve the personnel efficiency and working conditions in various underground, confined, and outdoor areas.

Founded by T. Allen Pelsue, the company has established a continuing reputation for excellence in the production of fine products for a broad spectrum of industry throughout the world.

Now, in our second generation of family direction, continued commitment to innovation and quality makes Pelsue a leading source of equipment for many types of confined spaces. We specialize in safety, retrieval, fall arrest, ventilation, cable placing, splicing, and maintenance nationally and abroad. With more than 70,000 square feet of facilities available, Pelsue continues the dedication that has made it pre-eminent in this field.

Table of Contents

Section	Description	Page #
1.0	General Information	5
1.1	Quality Policy	
1.2	Pelsue Product Warranty	
2.0	Introduction & Product Information	7
2.1	Serial Number	
3.0	Configuration & Assembly	8
3.1	Decal Locations	
4.0	Safety	10
4.1	Warning Statement	
4.2	Safety Alert Symbol	
4.3	General Safety Information	
4.4	Operating Safety	
4.5	Maintenance Safety	
4.6	New Operator or Owner Safety	
5.0	Product Operation	13
5.1	Product Description & Capabilities	
5.2	Product Installation & Set-Up	
6.0	Maintenance & Inspection	17
6.1	Maintenance	
6.2	Inspection	
6.3	Inspection Log	
7.0	Storage	22
8.0	Contact Information	22

1.0 General Information

1.1 Quality Policy

T.A. Pelsue Company

Quality Policy

OUR GOAL IS THE PURSUIT OF NEVER-ENDING IMPROVEMENT IN PRODUCT QUALITY AND BUSINESS SYSTEMS.

METHODS TO BE EMPLOYED IN ATTAINING THIS GOAL WILL INCLUDE NEW PRODUCT QUALITY PLANNING, EMPLOYEE TRAINING, AND UTILIZATION OF EMPLOYEE INVOLVEMENT GROUPS TO SOLVE PROBLEMS.

IN AN INCREASINGLY COMPETITIVE MARKETPLACE, ENSURING CUSTOMER SATISFACTION IS ONE OF THE DIFFERENTIATORS THAT SETS YOU APART FROM THE PACK AND YIELDS A COMPETITIVE ADVANTAGE.

THEREFORE, WE WILL SUPPORT TOTAL CUSTOMER SATISFACTION BY IMPLEMENTING THE **ISO 9001 QUALITY SYSTEM** AND PROVIDING THE NECESSARY ATMOSPHERE AND TRAINING TO NURTURE THIS CONCEPT THROUGHOUT OUR ORGANIZATION.

WE WILL MAKE EVERY BUSINESS DECISION AS THOUGH THE QUALITY OF THE PART OR SERVICE PROVIDED WAS DESTINED FOR OUR OWN OR OUR FAMILY'S USE. WE WILL ALWAYS THINK **QUALITY FIRST**.

EVERY T.A. PELSUE COMPANY EMPLOYEE IS EXPECTED TO COMMIT TO THIS PHILOSOPHY IN THE PERFORMANCE OF HIS OR HER DAILY TASKS.

QUALITY FIRST!

T.A. PELSUE COMPANY SENIOR MANAGEMENT TEAM

1.0 General Information (continued)

1.2 Pelsue Product Warranty

PELSUE FALL ARREST/ RETRIEVAL PRODUCT WARRANTY

- Pelsue products are designed and engineered to perform as stated in published specifications. Quality materials and workmanship are used in the manufacture of this product. With regular maintenance and proper care, Pelsue equipment provides many trouble free hours of operation.
- The T.A. Pelsue Company warrants to the buyer that material furnished will conform to specifications and will be free from defects in material and workmanship from the date of shipment to the original buyer, for the period listed by product description at the bottom of this warranty statement.
- In the event of failure of any components of a Pelsue product within the warranty period, service must be pre-approved by the T.A. Pelsue Company and service must be performed by the T.A. Pelsue Company Parts and Service Department in Englewood Colorado, or at the option of T.A. Pelsue Company, service may be performed at any designated service center, which may include any authorized service center for the component manufacture.
- Damage or failure due to misuse, mishandling, or unauthorized modifications will not be covered by this warranty. Unless otherwise agreed, the T.A. Pelsue Company shall repair or replace the defective components within (30) calendar days of notice of failure. T.A. Pelsue Company's obligation hereunder, shall be limited to the repair or replacement of the product or component as set forth above, and shall not include any liability whatsoever for damages caused by such failure, including but not limited to consequential or incidental damages flowing from use or lack of use of product.
- Any replacement, repair, modification, installation or other service performed by the T.A. Pelsue Company shall be warranted by the remainder of the unexpired period of the warranty, or for a period of (90) calendar days, whichever is longer.
- All materials or parts returned for credit or warranty shall be returned only with prior approval, and will be subject to factory inspection before credit is allowed. Parts claimed defective will be replaced upon request and will be invoiced as purchased, subject to credit when the parts claimed to be defective have been received and examined by the factory.
- This warranty is expressly in lieu of all other warranties expressed or implied, including any warranties of merchantability or warranties of fitness for any particular use and all other obligations or liabilities in connection with the sale of this equipment.

<u>Product Description</u>	<u>Warranty Coverage*</u>
• Davits and Bases, Life Guard Systems, Fall Arrest Towers,..... Hitch Mounts, Mounting Sleeves	1 year
• Winches.....	1 year
• Winch Cable and Rope (not including standard wear and..... tear or misuse or improper storage)	3 months
• Rope.....	3 months
• Pelsue Painted or Plated Surfaces.....	1 year

*From date of shipment to original buyer.

T.A. Pelsue Company, 2500 South Tejon Street, Englewood, Colorado 80110, 800-525-8460

2.0 - Introduction & Product Information

Congratulations on your choice of a **Pelsue Model #FT-C70 Composite Fall Arrest Tower** to compliment your complete fall arrest system. This equipment has been designed and manufactured to exceed fall arrest requirements and regulations in order to meet the needs of the discriminating operator tasked with the assurance of efficient and safe working conditions for personnel working upon an elevated surface.

Safe, efficient and trouble-free operation and maintenance of the system requires that anyone who will be operating, maintaining, or inspecting the equipment, read, understand and follow all of the operation, safety, maintenance, and inspection instructions contained within this manual. This manual covers the Pelsue Model #FT-C70 Composite Fall Arrest Tower. Use the Table of Contents as a guide to find specific information.

Keep this manual handy for frequent reference and to pass on to new operators. Establish a regular training program for experienced and new operators per this manual. Establish a regular maintenance and inspection program to keep the equipment in top condition.

WARNING

This product is a part of a complete Fall Arrest System. The user must read, understand and follow the instructions contained in this manual for each component or total system before using this equipment. Establish an appropriate training, maintenance and inspection program for your people and the equipment. Failure to follow these instructions could result in serious injury or death.

2.1 - Serial Number

Product Serial Number

Always give your dealer the serial number of your Pelsue Fall Arrest product when ordering parts or requesting service or other information.

Each component of the system (base & tower) will have a Serial Number Label attached. Each serial number label is permanently embossed with a serial number. The serial number label will appear as shown in *Figure 2a* at the right. One is located on the base assembly (refer to *Figure 2b*), and another is located near the top of the tower assembly (refer to *Figure 2c*). A space has been provided below for the recording of the serial number for future reference.

S/N#	
MODEL#	
DOM	

Figure 2a:
Serial Number Decal

MODEL: **#FT-C70** _____

Serial Number : _____ (BASE)
 _____ (TOWER)

Date of Manufacture (DOM): _____ (BASE)
 _____ (TOWER)

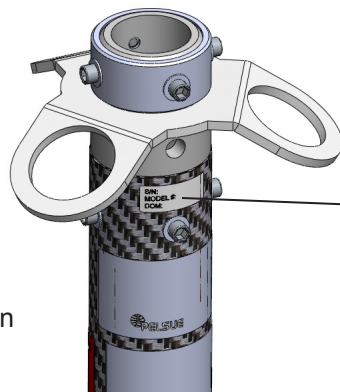


Figure 2c:
Serial Number Label Location

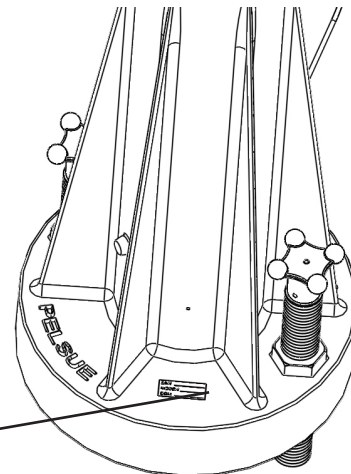


Figure 2b:
Serial Number Label Location

3.0 - Configuration & Assembly

Upon initial receipt of the #FT-C70 system inspect the packaging for any evidence that the product may have been damaged in shipment. While unpacking the product, inspect all of the components for damage. If damage to any of the components is discovered, DO NOT USE THE PRODUCT! Alert the shipping carrier immediately of the damage to the shipment.

Item	Part No.	Description	Qty.
3A	500204-001	Ring - Tri Anchor	1
3B	500196-001	Collar - Anchor Ring Retainer	1
3C	121569-001	Screw - Socket Head Cap	4
3D	118283-002	Washer - Flat	4
4A	500426-WT1	Screw Peg - T-Bar	2
4B	500572-001	Pin & Lanyard, 3/4" x 6"	1
4C	500408-001	Pin & Lanyard, 1/2" x 4-1/2"	1

The #FT-C70 is normally shipped within two separate boxes. One box will contain the Base Assembly (#500019-001) and the other box will contain the tower assembly (#500573-001).

Ensure that all components of the system are present upon unpacking of the system. A simple assembly process is required in order to mount the tower assembly to the base assembly;

1. Insert the tower into the base assembly.
3. Align the holes on the tower with the holes on the base assembly by rotating the tower section by hand. Then insert the 1/2" Pin (#2) to secure the tower to the base.

**Refer to parts list above if replacement parts are required. Replacement parts can be ordered from the T.A. Pelsue Company at 800-525-8460.

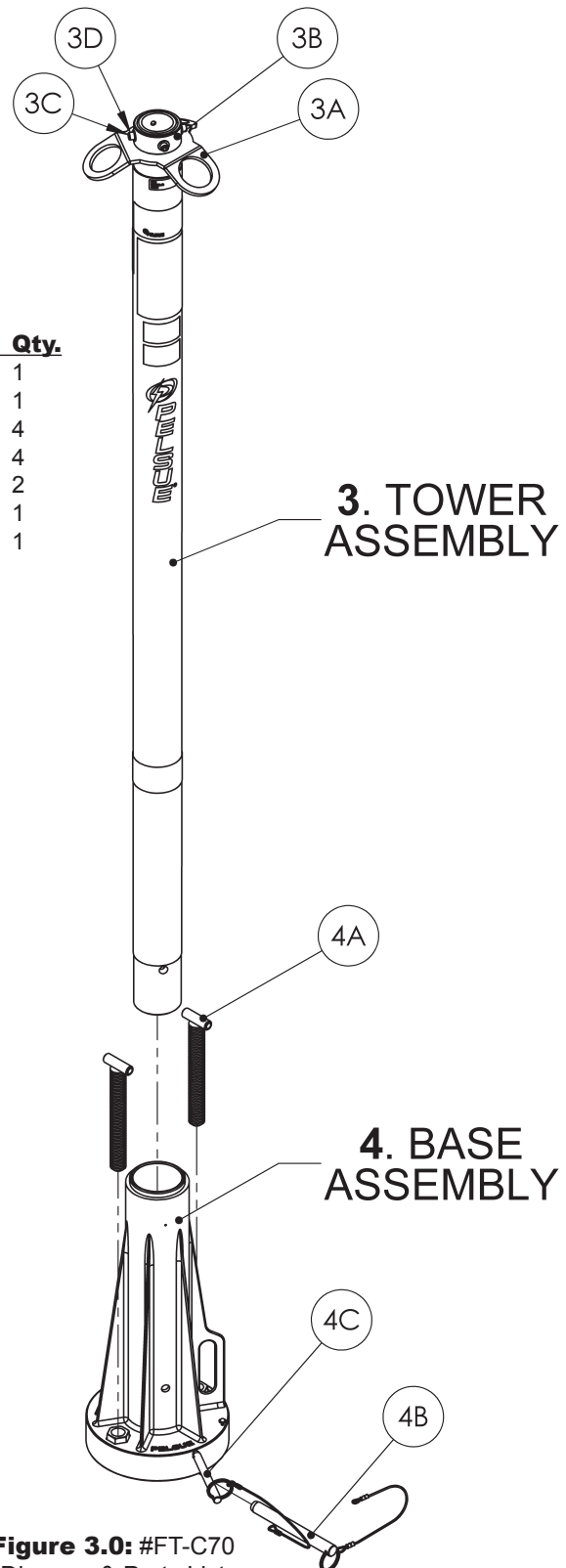
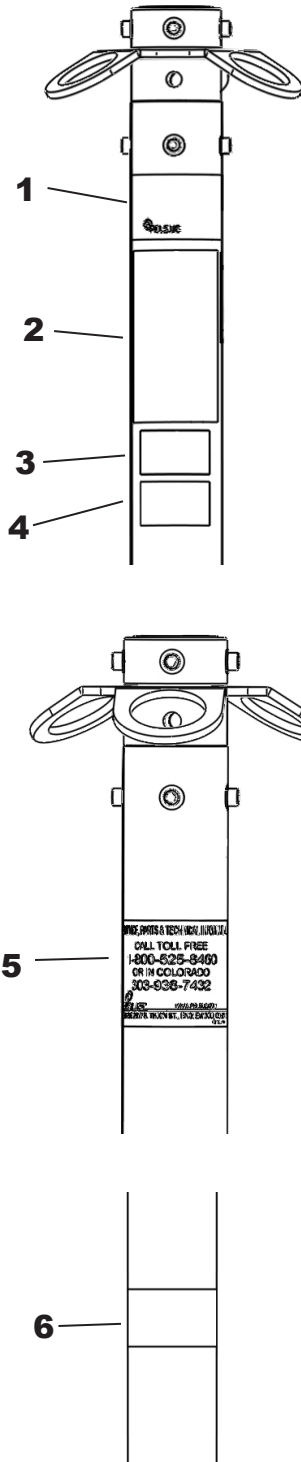


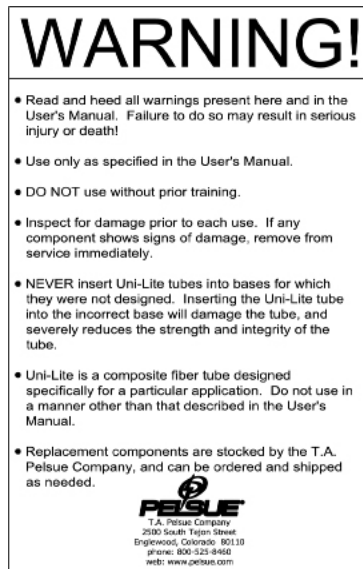
Figure 3.0: #FT-C70
Diagram & Parts List

3.0 - Configuration & Assembly (continued)

3.1 - Decal Locations



1) 500665-001



2) 500305-001



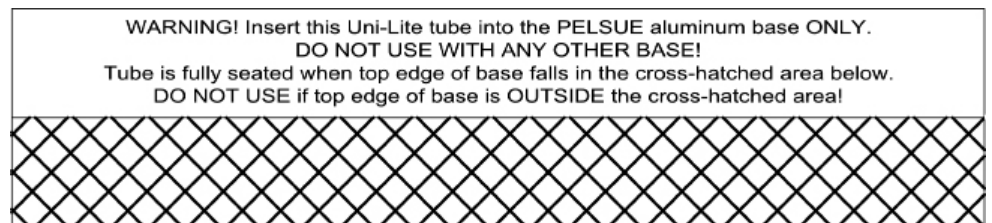
4) 500230-001



5) 103299-001



3) 500612-001



6) 500304-001

Figure 3.1: #FT-C70 Decal Locations

4.0 - Safety

The following section will address the safety precautions which must be adhered to when working with Pelsue Elevated Fall Arrest Safety equipment such as the #FT-C70 Composite Fall Arrest Tower. Any user must familiarize themselves with the information in this section before utilizing the equipment.

SIGNAL WORDS:

Note the use of the signal words **DANGER**, **WARNING** and **CAUTION** with the safety messages. The appropriate signal word for each message has been selected using the following guidelines:

- DANGER-** Indicates an imminently hazardous situation that, if not avoided, will result in death or serious injury. This signal word is to be limited to the most extreme situations or for hidden or unseen hazards.
- WARNING-** Indicates a potentially hazardous situation that, if not avoided, could result in death or serious injury and includes obvious and hidden hazards. It may also be used to alert against unsafe practices.
- CAUTION-** Indicates a potentially hazardous situation that, if not avoided, may result in minor or moderate injury. It may also be used to alert against unsafe practices.

You are responsible for the safe operation, maintenance and inspection of your Pelsue #FT-C70 Composite Fall Arrest Tower. You must ensure that anyone who will operate, maintain, inspect or work around the equipment be familiar with the operating and maintenance procedures and related safety information contained in this manual. This manual will take you step-by-step through the workings and capabilities of the #FT-C70 Composite Fall Arrest Tower and alert you to all good safety and operating practices while using the system.

Remember, you are the key to safety. Good safety practices not only protect you but also the people around you. Make these practices a working part of your safety program. Be certain that everyone operating this equipment is familiar with the procedures recommended and follows safety precautions. Remember, most accidents can be prevented. Do not risk injury or death by ignoring good safety practices.

- System owners must give operating instructions to operators or employees before allowing them to use the equipment and at least annually thereafter.
- The most important safety device on this equipment is a safe operator. It is the operator's responsibility to read and understand all safety and operating instructions in the manual and to follow these. Most accidents can be avoided.
- A person must understand the operation of this equipment and be trained in its usage before operating the equipment. An untrained operator exposes himself and others to possible serious injury or death.
- Do not modify the equipment in any way. Unauthorized modification may impair the function and/or safety and could affect the life of the equipment.
- Think SAFETY! Work SAFELY!

4.1 - Warning Statement

WARNING!

Products manufactured or sold by the T.A. Pelsue Company are intended for use by professionals trained and experienced in the use, inspection and maintenance of these products.

Paraprofessional users such as volunteer rescue workers and sportsmen involved in risk sports such as climbing and caving will be held to the same standard of experience and training as professionals.

Technical rescue, repelling, climbing and the training involved are hazardous activities. Each situation has its own unique conditions and must be evaluated. Effective risk management comes from experience, proper training and good personal judgement.



4.0 - Safety (continued)

4.2 - Safety Alert Symbol



SAFETY ALERT SYMBOL

This Safety Alert symbol means **ATTENTION! BECOME ALERT! YOUR SAFETY IS INVOLVED!**

The Safety Alert symbol identifies important safety messages on your Pelsue Retrieval Product and in the manual. When you see this symbol, be alert to the possibility of personal injury or death. Follow the instruction in the safety message.

Why is this symbol important to you?

- 3 BIG Reasons:**
- Accidents Disable and Kill.**
 - Accidents Cost You Money.**
 - Accidents Can Be Avoided.**

4.3 - General Safety Information

1. Read, understand, and follow the Product Manual and all safety signs before using, maintaining or inspecting the equipment.
2. Refer to and follow applicable standards and regulations. Comply with requirements of local regulations for your applications.
3. Establish an equipment-use training program for inexperienced employees. Only trained, competent persons shall use the equipment. An untrained operator is not qualified to operate the system.
4. Have a first-aid kit available for use should the need arise and know how to use it.
5. Provide a fire extinguisher for use in case of an accident. Store in a highly visible place.
6. Install and properly secure all guards and shields before operating.
7. Wear appropriate protective gear. This list includes but is not limited to:
 - A hard hat
 - Protective shoes with slip resistant soles
 - Heavy gloves
 - Protective clothing
 - Face Protection
8. Review and follow the Pre-Operation Checklist before using a component in the system or the system itself.
9. Establish a regular maintenance and inspection program with your equipment and maintain detailed records.
10. Review safety related items and operating instructions with all personnel on a regular basis.

4.4 - Operating Safety

- 1.** Read, understand and follow the User Manual and signs on the product before using, maintaining or inspecting the equipment.
- 2.** Train all operators before allowing them to use the product. An untrained operator exposes themselves, bystanders and workers to possible serious injury or death.
- 3.** Visually inspect the product and all auxiliary components and equipment before using. Correct any problems before using the equipment.
- 4.** Securely anchor the product before using.
- 5.** Use only certified anchor and connector components in your system.
- 6.** Use only an approved full body harness for the workers.

4.0 - Safety (continued)

7. Always work in teams. One person is to work in the elevated space (entrant) and the other is to attend to the entrant (attendant). Pelsue recommends an additional attendant/rescuer for stand-by in case of an emergency.
8. Do not exceed the capacity of the system at any time (see section 5.1).
9. Establish a regular training program for new and experienced workers.
10. Establish a detailed inspection program for your equipment and document the findings. Return the equipment to the manufacturer for repair if any problems are found.
11. Plan your work program before starting. Have the required people, equipment and procedures available to do the job.
12. Do not use the equipment around physical or environmental hazards. This list includes but is not limited to:
 - Corrosion that may affect the structural integrity of the lifeline or other components.
 - Chemicals which can degrade components in a manner which can not be visually identified.
 - Toxic gases: Rescuers or workers can be killed in toxic environments.
 - Heat or elevated temperatures.
 - Moving machinery: Workers or auxiliary equipment can be contacted by or pulled into moving components.
 - Sharp edges: Workers or the rescue equipment can be injured by or damaged by sharp edges or components.
 - Electrical hazards: Stay away from power lines or components carrying electrical power.
 - Overload: Do not overload the system at any time during operation (see section 5.1).
 - Follow elevated space regulations and standards.

4.5 - Maintenance Safety

1. Read, understand and follow the User Manual and signs on the product before using, maintaining or inspecting the equipment.
2. ANSI and OSHA require a regular inspection program for all elevated fall arrest tower equipment and to maintain documented results of these inspections. Follow the inspection procedure contained in this manual and use the inspection form to document the results (see section 6.0).
3. Keep instructional and safety signs clean and legible at all times. Clean or replace as required.
4. Remove the equipment from service if a problem is found during the inspection. Return to an authorized repair depot or the factory for service.

4.6 - New Operator or Owner Safety

The Pelsue Model #FT-C70 Composite Fall Arrest Tower is designed to provide three elevated fall arrest system anchor points. Every new operator must read, understand and follow the instructions in the manual. No one should be allowed to use the equipment without training. The training should be reviewed with experienced operators on a regular basis. At regular intervals, perform a detailed inspection of the equipment and document the results. Remove from service if deficiencies are found. Alterations or misuse of this equipment or failure to follow instructions may result in serious injury or death.

It is the responsibility of the owner's organization or operator to read this manual and to train all other operators before they start working with the equipment. Follow all safety instructions exactly. Safety is everyone's business. By following recommended procedures, a safe working environment is provided for the operator, bystanders and the area around the work site. Untrained operators are not qualified to operate the equipment.

Many features incorporated into this equipment are the result of suggestions made by customers like you. Read this manual carefully to learn how to operate the equipment safely and how to set it to perform as intended. By following the operating instructions in conjunction with a good maintenance program, your product will provide many years of trouble free service.

5.0 - Product Operation

The following section will address the capabilities and the general operation of the Pelsue #FT-C70 Composite Fall Arrest Tower. The instructions contained within this section should be adhered to each and every time the product is used. Any person tasked with installing or operating this piece of equipment should be familiar with these procedures.

5.1 - Product Description & Capabilities

The Pelsue #FT-C70 Composite Fall Arrest Tower is constructed of a composite carbon fiber tube and base structure composed of an aluminum & magnesium alloy, and also incorporates several alloy steel and engineered plastic components. The Model #FT-C70 possesses a composite upper section (#500573-001) which can be inserted into its standard base (#500019-001) to create a 70" high anchor point. The #FT-C70 can also be configured in a "Rescue Mode" in the event a person or persons require rescue capabilities. In this configuration the tower can be "heeled" over up to 23 degrees via the adjusting screw pegs in the base. This practice allows greater clearance away from the side of the work platform for raising or lowering a fallen worker. The #FT-C70 tower can not be used for the anchorage of fall arrest systems while configured in "Rescue Mode." All specifications, instructions, and procedures provided within this manual or upon Pelsue Specification Documents are based upon and only valid for usage with a Pelsue FT series Fall Arrest Tower approved accessories. The T.A. Pelsue Company can not verify equipment safety and/or compliance when utilized with anything other than Pelsue approved FT-C70 Series accessories.

Composite Fall Arrest Tower, Model #FT-C70

General Specifications

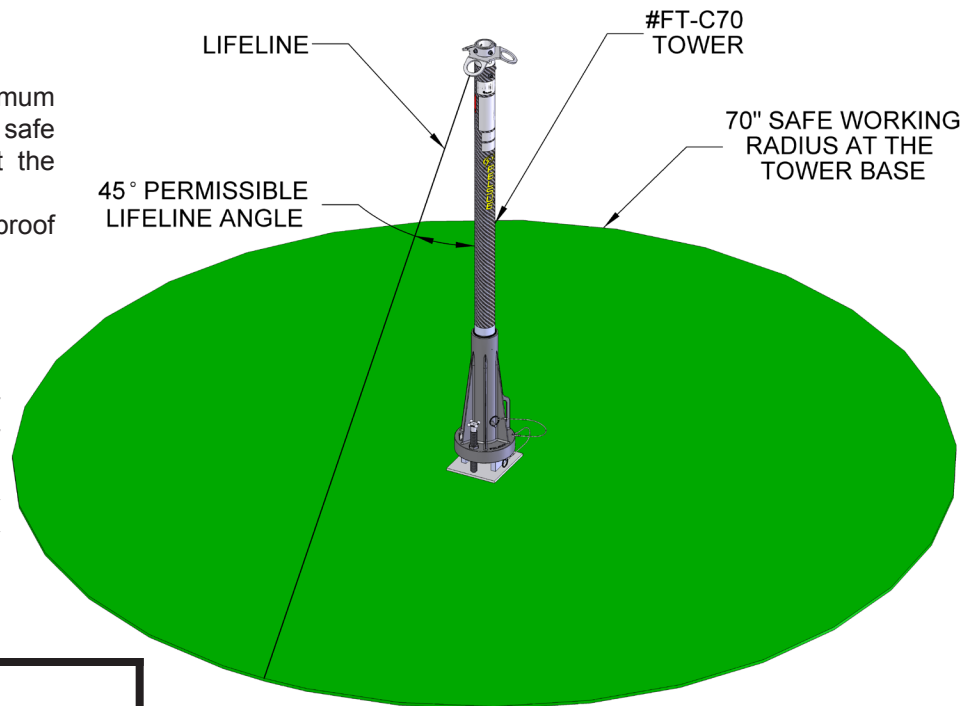
- Safe Working Radius @ Tower Base - 5'10"
- Structure Weight - Tower - 10.5 lbs.
- Base Assembly - 28.5 lbs.
- Tower Height - 5'10"


Load Capacity

- Up to three users with a maximum weight of **310 lb/person** with a safe working radius of **5'10"** about the Tower Base
- Refer to loading diagrams for proof loads.

Materials & Construction

Tower Assembly: Carbon Fiber, Machined 6000 Series Aluminum, High-Tensile Nylon Webbing & High Strength Steel
Base Assembly: Aluminum & Magnesium Alloy, Alloy Steel & UHMW PE Components
Hardware: Plated Steel





The load rating(s) reported within this document may supersede or be superseded by the rating of an accessory or complementary component. The capabilities of a complete Personal Fall Arrest System (PFAS) are limited by the "weakest" component utilized within that complete system!

Features:

- Installs on elevated surfaces where access is required via a variety of available base option.
- Provides an elevated, swiveling fall arrest anchor point for up to three persons
- Offers a "rescue mode" in the event that a person were to fall and require rescue

5.0 - Product Operation (continued)

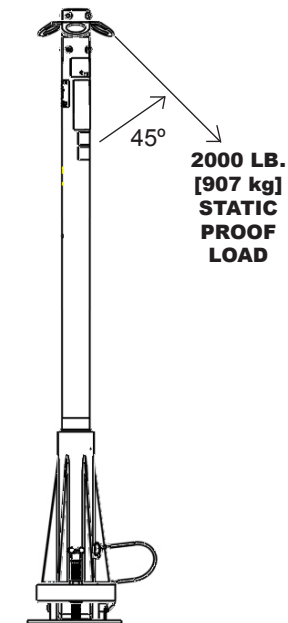


Figure #5.1a:
Loading Diagram

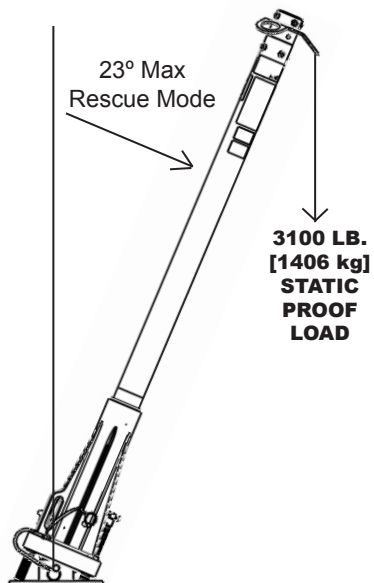


Figure #5.1b:
Rescue Mode - Loading Diagram

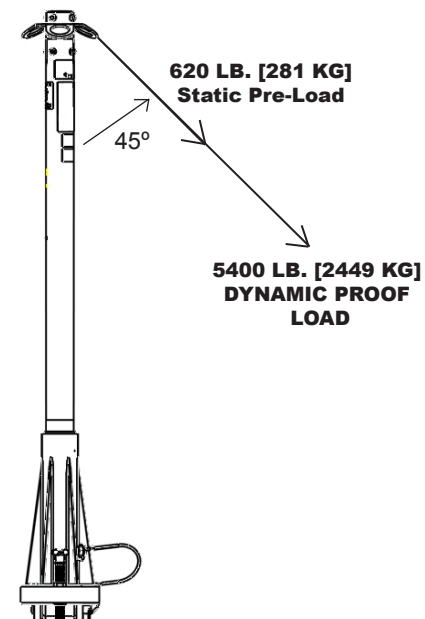


Figure #5.1c:
Loading Diagram

Additional Requirements & Notes

- The #FT-C70 Series Fall Arrest Tower must be installed on a level surface and made vertical prior to use.
- In order to ensure compliance, it is the user's responsibility to ensure that the structure to which the #FT-C70 is attached is capable of withstanding all of the loads imparted to it by the proof-loaded #FT-C70 Fall Arrest Tower.
- An approved Pelsue base system is required for operation & installation (i.e. The FB-SW1 Fall Arrest Base Plate)



! CAUTION ! - The user must ensure that the station to which the tower base is installed is capable of withstanding the weight of the system combined with the system proof loads in order to retain the stated compliance of the entire system.

! CAUTION ! - The user must ensure that the tower system is properly installed & completely vertical in order to retain the stated compliance and stability of the entire system.

! CAUTION ! - The user must ensure that the pin securing the tower to the base assembly is fastened as well as the pin securing the base assembly to the base plate in order to retain the stated compliance of the entire system.

5.2 - Product Installation & Set-Up

Prior to Operation, the #FT-C70 Composite Fall Arrest Tower should be configured and prepared according to the following guidelines.

1. Pre-Operation Inspection:

It is necessary to perform a visual inspection prior to each time using the product. If deficiencies are found, remove the product from service and contact the T.A. Pelsue regarding repair. The following checklist coupled with *Figure #5.2a* should be used as a guide to determine whether the equipment is in good operating condition prior to usage. Equipment that is not in good condition can endanger the safety of the entrant and attendant during use.

The Pre-Operation Visual Inspection is not limited to, but must include the following items;

- Check that the product has no structural defects, such as dents, bends,

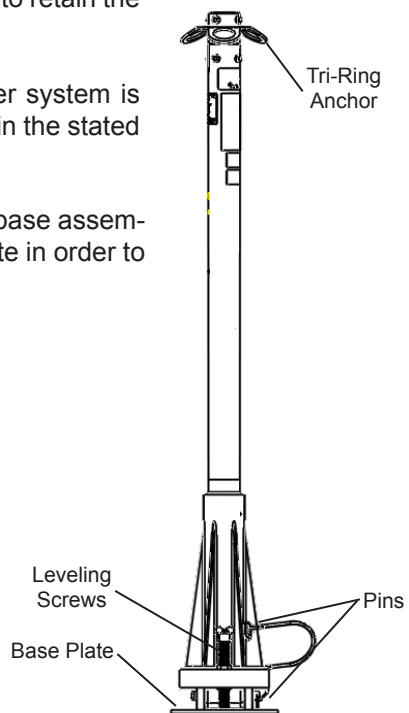


Figure #5.2a: #FT-C70 Series
Pre-Operation Inspection Points

5.0 - Product Operation (continued)

cracks, or fractures.

- b.** Ensure that all product rating & warning labels are clear and legible.
- c.** Ensure that the Tri-Ring Anchor Point rotates smoothly and has not been damaged.
- d.** All hardware (Pins, Leveling Screws) have not been damaged and are in working condition.

2. Setup of #FT-C70 Composite Fall Arrest Tower:

Choose a location where installation will provide suitable proximity to the work area yet minimize obstructions during use and in the event a rescue is necessary. Once a location is chosen;

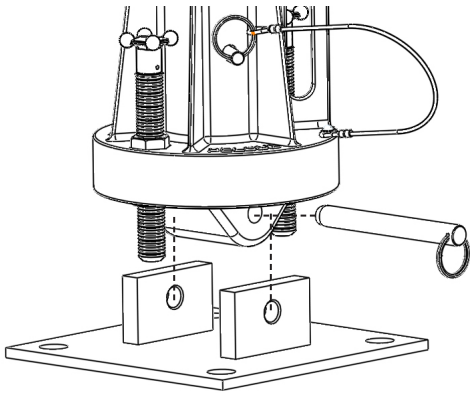


Figure #5.2b: #FT-C70
Base Pin

- a.** Align the holes of the tower with the holes of the base plate and pin to secure the two (Refer to Fig. #5.2b).
- b.** After the tower and base plate have been connected, securely install the tower base to the structure.
- c.** The tower must be adjusted to vertical using the leveling screws (Refer to Fig. #5.2c).
- d.** Once the tower is completely vertical, a Lanyard or an SRL device can now be attached to the Anchor Point.
- e.** Disassembly is reverse of assembly steps.

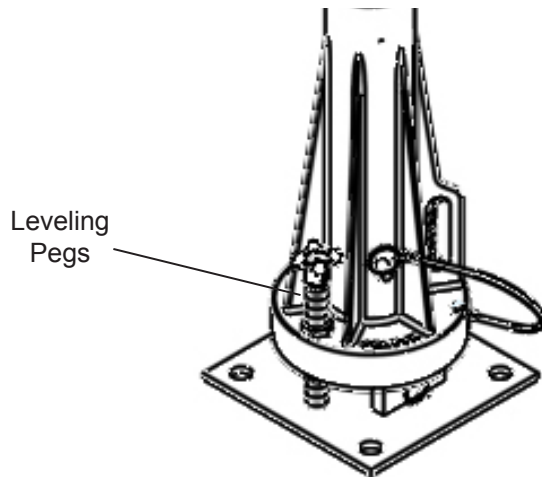


Figure #5.2c: #FT-C70
Tower Vertical and Secured to Structure

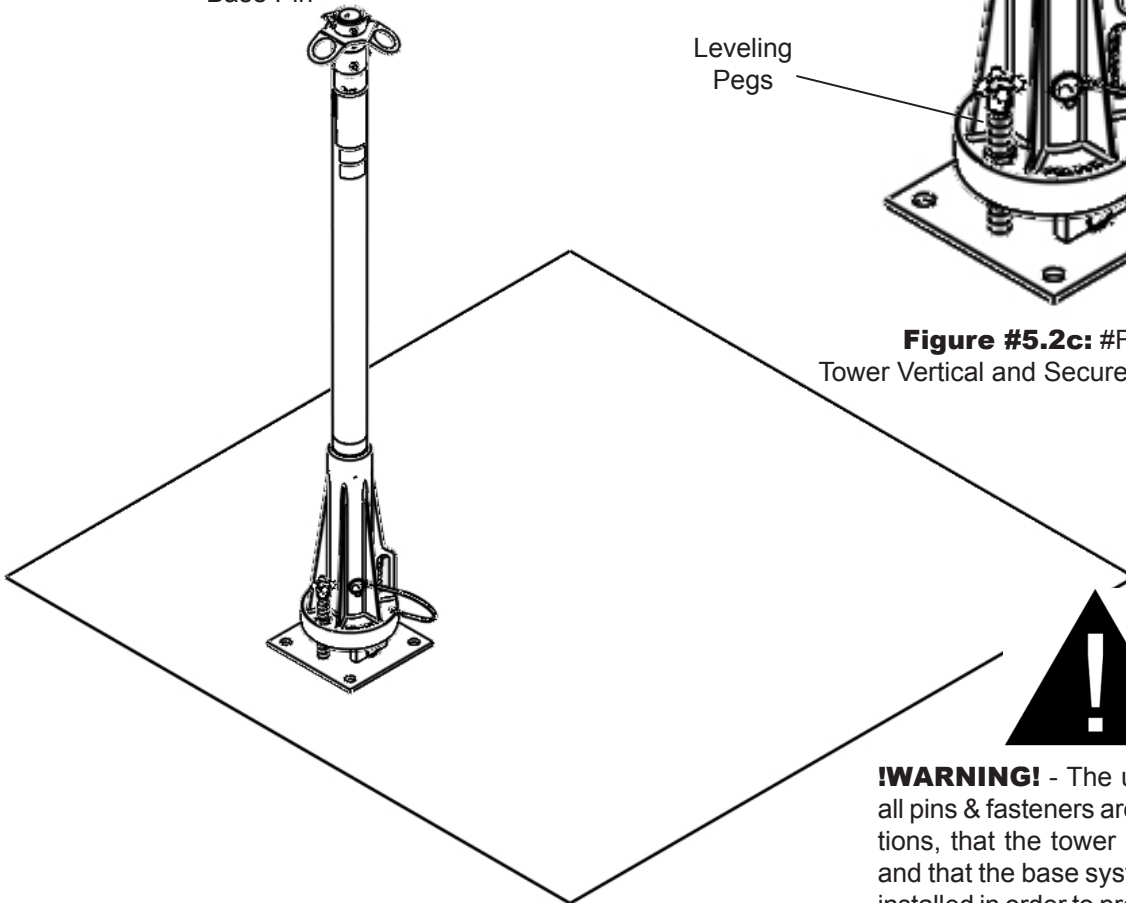


Figure #5.2d: #FT-C70
Completely Installed

!WARNING! - The user must ensure that all pins & fasteners are in their "locked" positions, that the tower is completely vertical, and that the base system (plate) is correctly installed in order to prevent death or injury to the user or damage to the product!

5.0 - Product Operation (continued)

3. #FT-C70 Composite Fall Arrest Tower in RESCUE MODE:

In the event of a fall, the Model #FT-C70 can be used as a rescue device utilizing the following directions;

- a. In the case that a person or persons have fallen, allow them to come to a rest before performing a rescue (Fig. #5.2e).
- b. At the base of the tower, the leveling screws can be adjusted in whichever direction is more suitable for rescue (Fig. #5.2f).
- c. Unscrew the peg on the side of the desired direction to lower the tower while screwing in the opposite peg (Fig. #5.2f).
- d. The tower can be offset a maximum of 23 degrees from the vertical position (Fig. #5.2g).
- e. If not employing a 2 or 3 way SRL System, the #FT-C70 is designed to accept a Pelsue Pole Hoist for rescue capability.

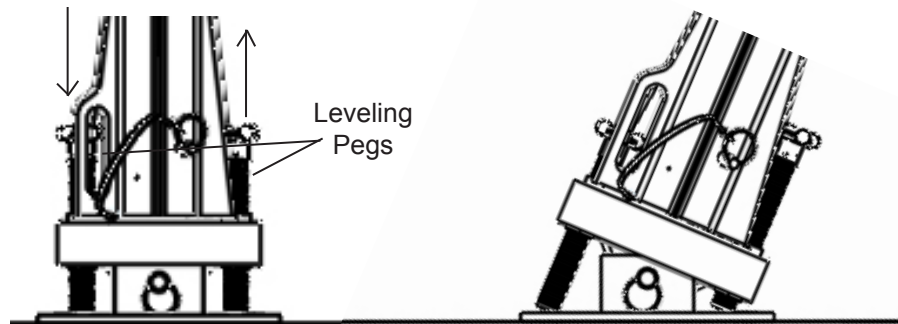


Figure #5.2f: #FT-C70
Adjusting Leveling Pegs

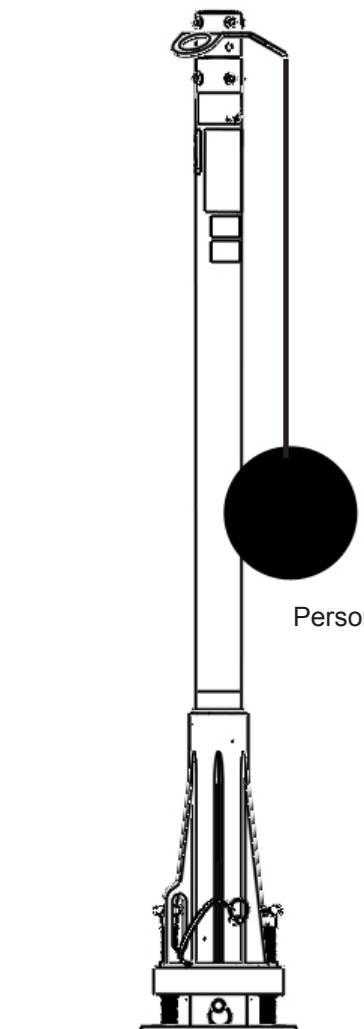


Figure #5.2e: #FT-C70
Completely Vertical



!WARNING! - The #FT-C70 tower must not be used as an anchorage for a fall arrest device while deployed within its "Rescue Mode" configuration

Person or Persons

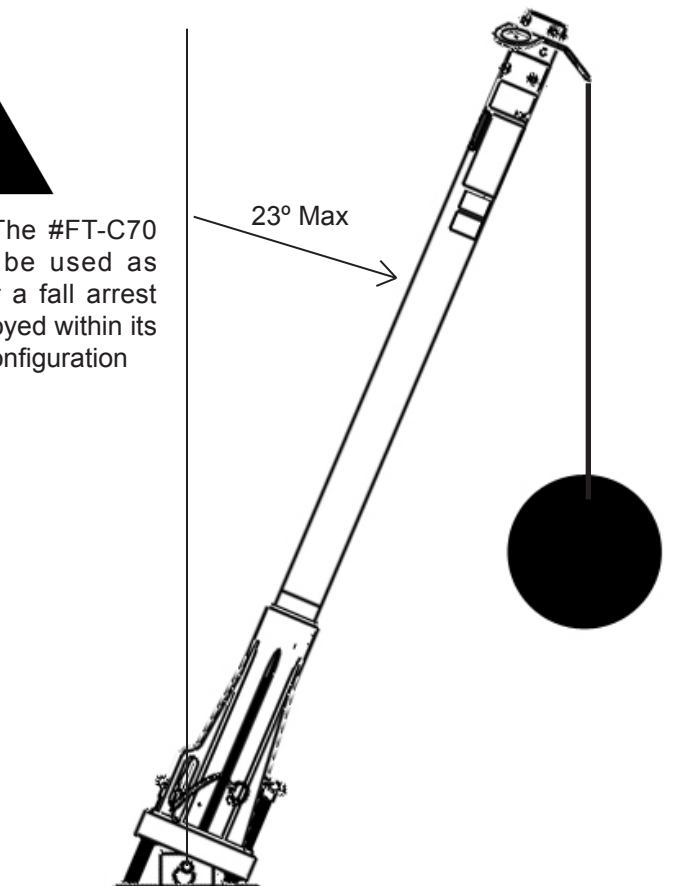


Figure #5.2g: #FT-C70
Completely Tilted

6.0 - Maintenance & Inspection



MAINTENANCE & INSPECTION

1. Read, understand and follow the Product Manual and signs on the product before using, maintaining or inspecting the equipment.
2. ANSI and OSHA require a regular inspection program for all elevated fall arrest equipment and to maintain documented results of these inspections. Follow the inspection procedure contained in this manual and use the inspection form to document the results.
3. Keep instructional and safety signs clean and legible at all times. Clean or replace as required.
4. Remove the equipment from service if a problem is found during the inspection. Return to an authorized repair depot or the factory for service.

6.1 - Maintenance

For the most part, the Model #FT-C70 is intended to be a maintenance-free piece of equipment, however several steps can be taken to keep the system in top-notch working order and also extend the working life of the product.

Before Each Use:

1. Visual Inspection: Perform a complete visual inspection. Refer to section 6.2 for guidelines and take any maintenance steps that are necessary.

Annually:

1. Clean Product: Use a damp cloth and mild soap to clean the structure and labels of dirt and residue. Be sure the labels are legible (replacements are available from Pelsue)
2. Oil or grease the threaded screw pegs to ensure smooth operation.
3. Complete Inspection: Perform a thorough inspection, paying attention to the bullet points provided within section 6.2. Record results and keep documentation. A log has been provided in section 6.3 specifically for the recording of the dates & results of annual system inspections.

Periodic Factory Service Inspection: It is recommended that the product be serviced by a factory authorized service center or the manufacturer after a period of three years. Extreme working conditions may indicate the necessity to increase the frequency. Factory servicing shall include but not be limited to an intensive inspection and cleaning of all internal and external components. Failure to provide proper service may shorten product life and could endanger performance or function.

6.2 - Inspection

When completing an inspection of the Model #FT-C70 Composite Fall Arrest Tower, the following specific items should be checked;

1. Labels:

Check that all the labels are clean and legible (Refer to Section 3.1). Clean the labels if any are dirty using mild soap and a damp cloth. Replace if any are illegible. Decals & labels provide valuable warning and caution information applicable to product usage and limitations, and should be visible and present at all times.

2. Fasteners:

Check that all screws and other fasteners are present and secure. Note that some fasteners may not be tightened to their maximum allowable torque. This is done in order to allow for pivoting and/or folding motions in certain components. Over-tightening of fasteners can interfere with the operation of the device and can damage the structure.

All fasteners on the Model #FT-C70 system are of a self-locking design. Bolt threads should extend all the way through their locking nuts. If any fasteners have appeared to “back-out” or loosen the product should be removed

6.0 - Maintenance & Inspection (continued)

from service until the problem can be identified and corrected.

3. Overhead Anchor Points:

Ensure that the Tri-Ring Anchor is securely fastened and can rotate freely. The aluminum head piece and retaining ring should be securely fastened and exhibit “near zero” free play. A non-rotating Tri-Ring Anchor may be indicative of other damage, remove the product from service immediately if the Anchor Ring binds or does not rotate.

4. Structure:

The entire product structure should be checked for cracks, dents, bends or breaks. If dents, cracks, or any other structural damage is witnessed, the unit must be removed from service and returned to the factory for repair.

- Pay special attention to areas of material transition (i.e. aluminum to composite): look for cracks or separation at such transitions. Be aware that powder coating can age and crack, this normal paint cracking can be confused with structural cracking. If there is any uncertainty with regards to cracks, contact the Pelsue service department for assistance and/or recommendations

5. Leveling Mounts (screws):

Ensure that the Leveling Screws are in working condition. Oil or grease the threaded rod if required. Also, visually inspect to verify that the threading on the leveling screws has not been damaged in any way.

6.0 - Maintenance & Inspection (continued)

6.3 - Inspection Log

Model Number : #FT-C70

Serial Number :

Date Purchased :

Place a check (✓) in the box if item is acceptable, place an x (X) in the box if item requires maintenance or repair

Date	Labels	Pins & Fasteners	Overhead Anchor Points	Overall Structure	Leveling Mounts	Notes
Inspector (print & sign) :						
Overhead Anchor Points						
Inspector (print & sign) :						
Inspector (print & sign) :						
Inspector (print & sign) :						
Inspector (print & sign) :						
Inspector (print & sign) :						
Inspector (print & sign) :						

6.0 - Maintenance & Inspection (continued)

Date	Labels	Pins & Fasteners	Overhead Anchor Points	Overall Structure	Leveling Mounts	Notes
Inspector (print & sign) :						
Inspector (print & sign) :						
Inspector (print & sign) :						
Inspector (print & sign) :						
Inspector (print & sign) :						
Inspector (print & sign) :						
Inspector (print & sign) :						
Inspector (print & sign) :						
Inspector (print & sign) :						

7.0 - Storage

Prior to storage, the product should be thoroughly inspected and maintained. Repair or replace any worn or damaged components to prevent any unnecessary down time at the next use.

Follow this procedure:

1. Thoroughly clean the entire unit using a mild soap on the frame and labels.
2. Perform a complete inspection of the unit and document the results prior to storage.
3. Oil or grease hinges and moving components in order to prevent corrosion.
4. A #FT-C70 series system can be dismantled for storage if desired, follow the reverse of the steps given for assembly in section 3.0 of this manual.

8.0 - Contact Information

For More Information...



T.A. Pelsue Company
2500 S. Tejon St.
Englewood, CO 80110

Toll Free: 1-800-525-8460
Telephone: 1-303-936-7432
Fax: 1-303-934-5581

Website: www.pelsue.com

Email: sales@pelsue.com



T.A. Pelsue Company

2500 South Tejon Street, Englewood, Colorado, USA 80110
Toll free 800-525-8460 or 303-936-7432 Fax. 303-934-5581
Internet: www.pelsue.com Email: sales@pelsue.com