



# Product Specifications

## Model #SB-SM1 Fall Arrest Post Base 4-Arm Manway Mount, Multi-Position

The Pelsue Model #SB-SM1 4-Arm Manway Base is specifically designed to provide a portable mounting point for a Pelsue Model #FT-C70 Fall Arrest Post. The four arms that extend from the base plate of the Model #SB-SM1 pivot independently, and are equipped with sliding bolting blocks that can be secured at any point along the leg's length. These two features allow the Model #SB-SM1 to mount over a large variety of sizes of manways up to a 40" maximum diameter. The Model #SB-SM1 is constructed of steel with a powdercoated finish. The Model #SB-SM1 is only rated for usage in conjunction with a Pelsue Model #FT-C70 Fall Arrest Post and must be operated according to the supplied Product Manual.

### General Specifications:

The #SB-SM1 is approved as a portable mounting base for a Pelsue Model #FT-C70 Fall Arrest Post when both products are employed and utilized according to their respective Product Manuals.

- ! NOTE ! - Installation of the Model #FT-C70 Fall Arrest Post on a Model #SB-SM1 Manway Base will reduce the allowed number of users from 3 to 2. Always remember that a complete fall arrest system must be employed and rated according to the capabilities of all of the components used within that system.

### Materials & Construction:

- General Construction.....Welded Carbon Steel, Powdercoated
- Hardware.....Grade 8 Steel Zinc Plated Steel

### Weight:

- Weight..... 42.4 lbs. (19.2 kg)

### Features:

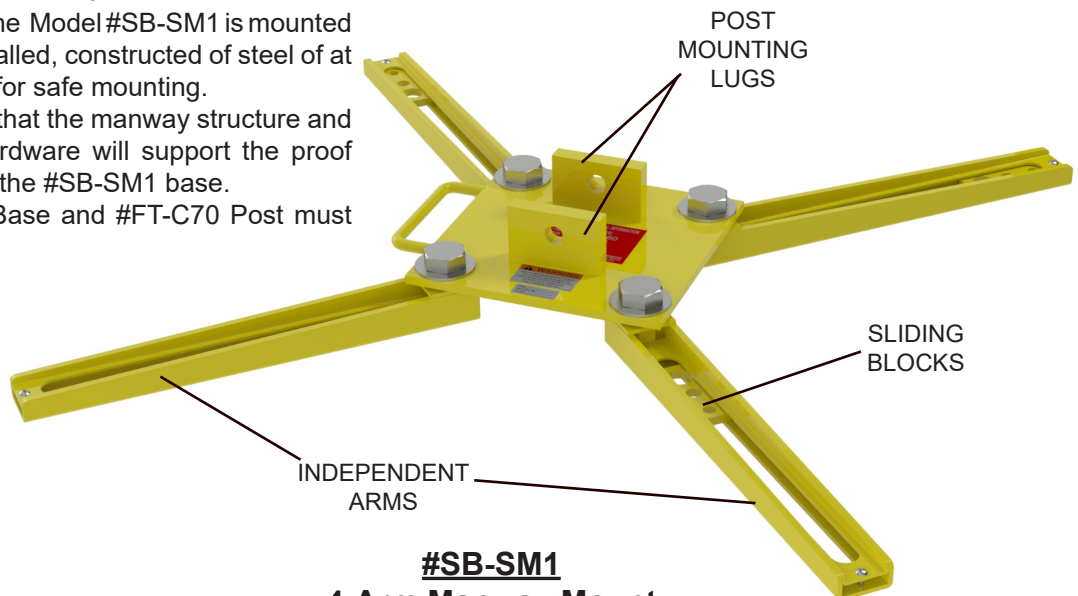
- Portable Fall Arrest Post Base for installation on manways
- Independently pivoting arms and Slider Blocks allow maximum adjustment
- Folding Arms and handle for easy transportation or stowage
- Provides an approved mounting base for an #FT-C70 fall arrest post



**#SB-SM1  
Folded**

### Usage Requirements & Limitations:

- The Model #SB-SM1 is only rated for use in conjunction with a Pelsue Model #FT-C70 Fall Arrest Post
- The Model #SB-SM1 is only to be used on manways with a bolt circle diameter of 40" or less.
- The manway to which the Model #SB-SM1 is mounted must have a cover installed, constructed of steel of at least 1/4" in thickness for safe mounting.
- The user must ensure that the manway structure and the cover securing hardware will support the proof loads imparted to it by the #SB-SM1 base.
- The Model #SB-SM1 Base and #FT-C70 Post must be utilized as a complete system under the supervision of a qualified person.

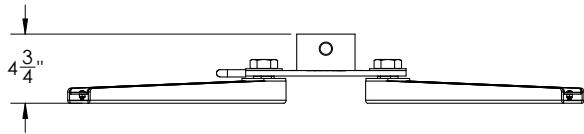


**#SB-SM1  
4-Arm Manway Mount**

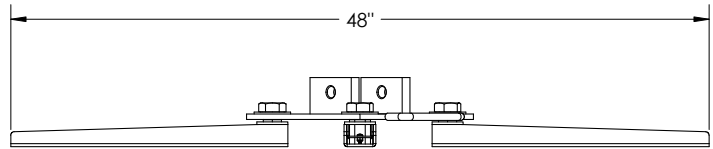
**PELSUE**  
T.A. Pelsue Company  
2500 S. Tejon St.  
Englewood, CO 80110  
Ph: 1-800-525-8460, (303)  
Fax: (303)934-5581  
Web: www.pelsue.com E-mail: sales@pelsue.com



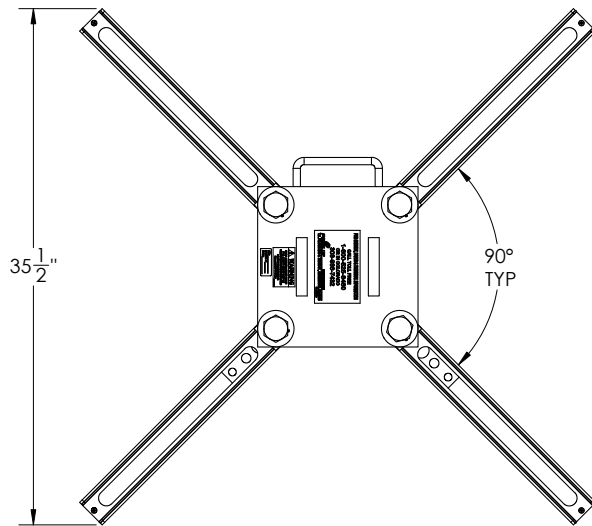
# Product Specifications



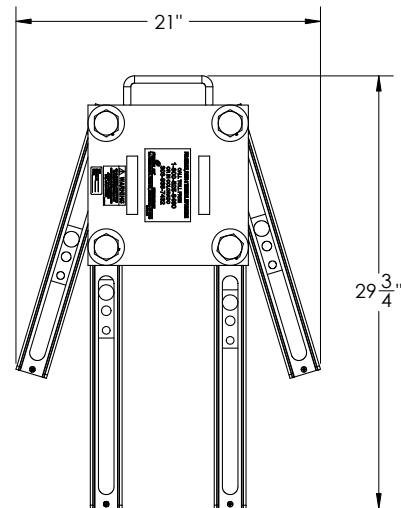
FRONT VIEW



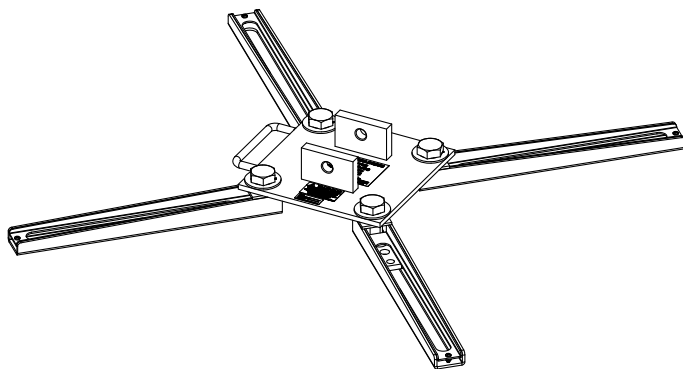
SIDE VIEW



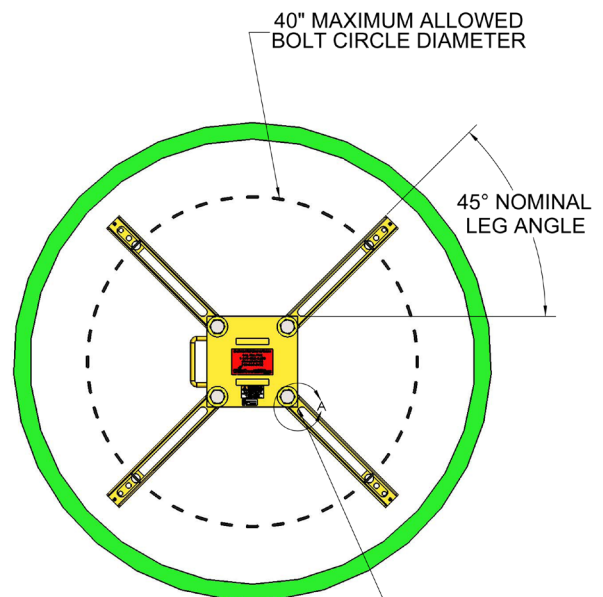
TOP VIEW



TOP VIEW  
- FOLDED



ISOMETRIC VIEW



ALL 4X CORNERS OF THE BASE PLATE  
MUST LIE ABOVE THEIR RESPECTIVE  
LEGS FOR SAFE INSTALLATION



**APPROVED MOUNTING CONFIGURATION**



T.A. Pelsue Company  
2500 S. Tejon St.  
Englewood, CO 80110  
Ph: 1-800-525-8460, (303) 936-7432  
Fax: (303)934-5581  
Web: [www.pelsue.com](http://www.pelsue.com) E-mail: [sales@pelsue.com](mailto:sales@pelsue.com)