



Product Specifications

Model #AC-28R Anchor Clamp, Fall Arrest Post Base, Adjustable, 16"-28" Round Manways

The Pelsue Model #AC-28R Manway Anchor Clamp is specifically designed to provide a portable mounting point for a Pelsue Model #FT-C70 Fall Arrest Post. The telescoping tube sections are able to be extended, via the speed handle, allowing two, rounded jaw plates to be placed underneath the flange of the manway thereby anchoring the clamp to the structure. The grip of the jaw plates is adjustable in order to account for varying thicknesses of the manway flange. The Model #AC-28R will anchor to round manways having an outside flange diameter between 16" & 28" and a flange thickness of up to 1-1/4". The Model #AC-28R is constructed of steel and is coated with a durable electroless nickel plated finish.

General Specifications:

The #AC-28R is approved as a portable mounting base for a Pelsue Model #FT-C70 Fall Arrest Post when both products are employed and utilized according to their respective Product Manuals.

- **Man Rated Load Capacity Using Fall Arrest Post.....**Rating is determined by fall arrest post.

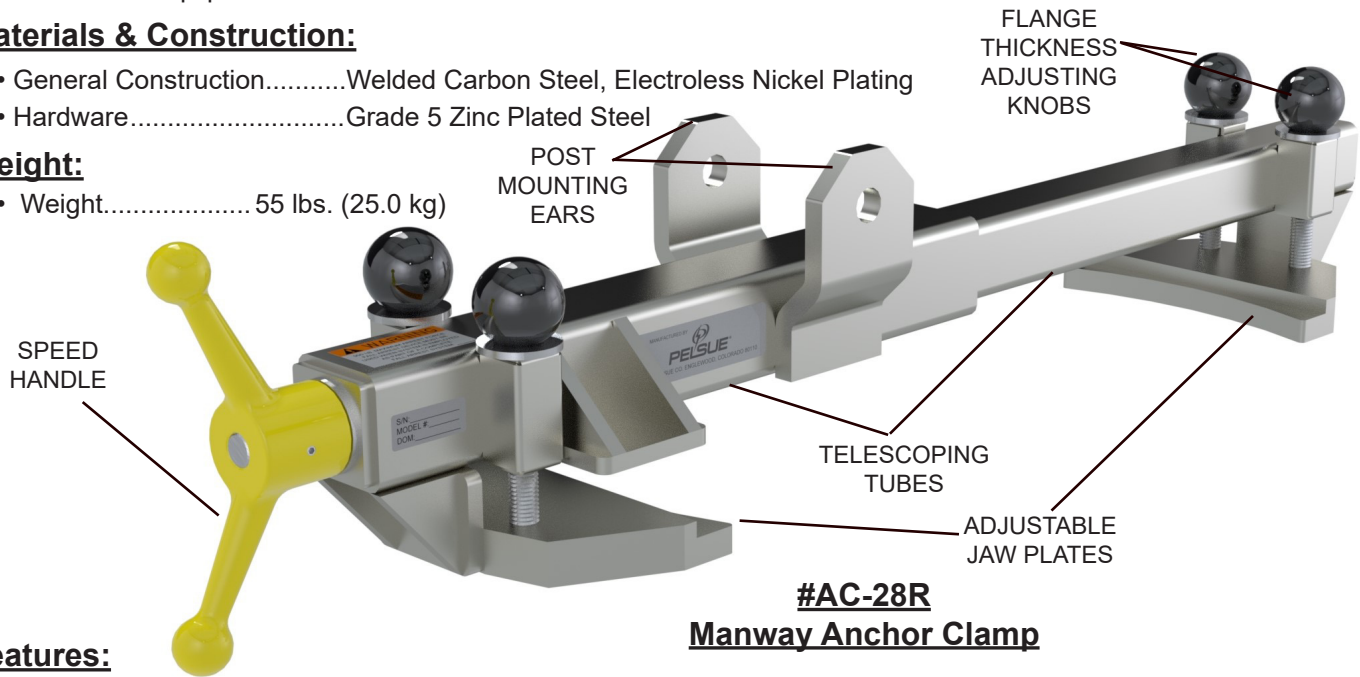
Warning! A 900 LB. maximum arrest force (MAF) fall arrest device must be used when system is employed as part of a complete fall arrest system. Maximum weight of person upon anchorage is 310 LBS. (141 KG.) inclusive of all tools and equipment.

Materials & Construction:

- General Construction.....Welded Carbon Steel, Electroless Nickel Plating
- Hardware.....Grade 5 Zinc Plated Steel

Weight:

- Weight..... 55 lbs. (25.0 kg)



**#AC-28R
Manway Anchor Clamp**

Features:

- Portable Fall Arrest Post Base for installation on manways
- Telescoping tube sections and adjustable plates allow maximum adjustment
- Provides an approved mounting base for an #FT-C70 fall arrest post

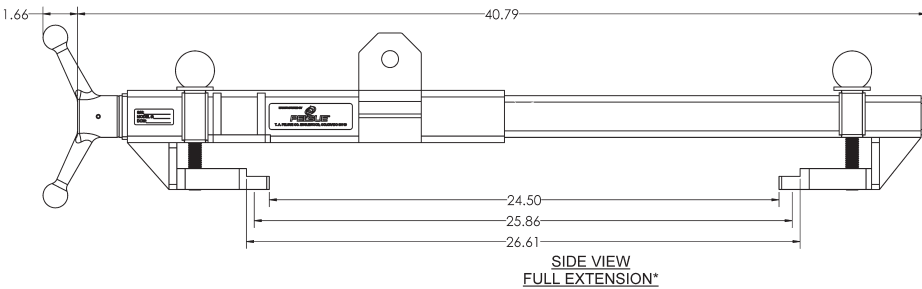
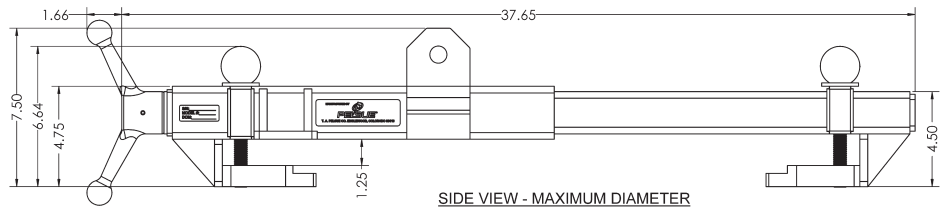
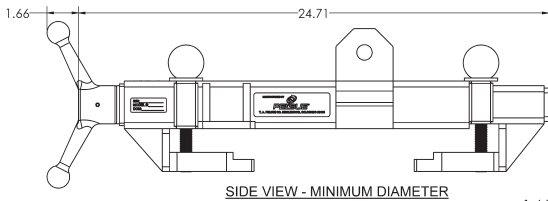
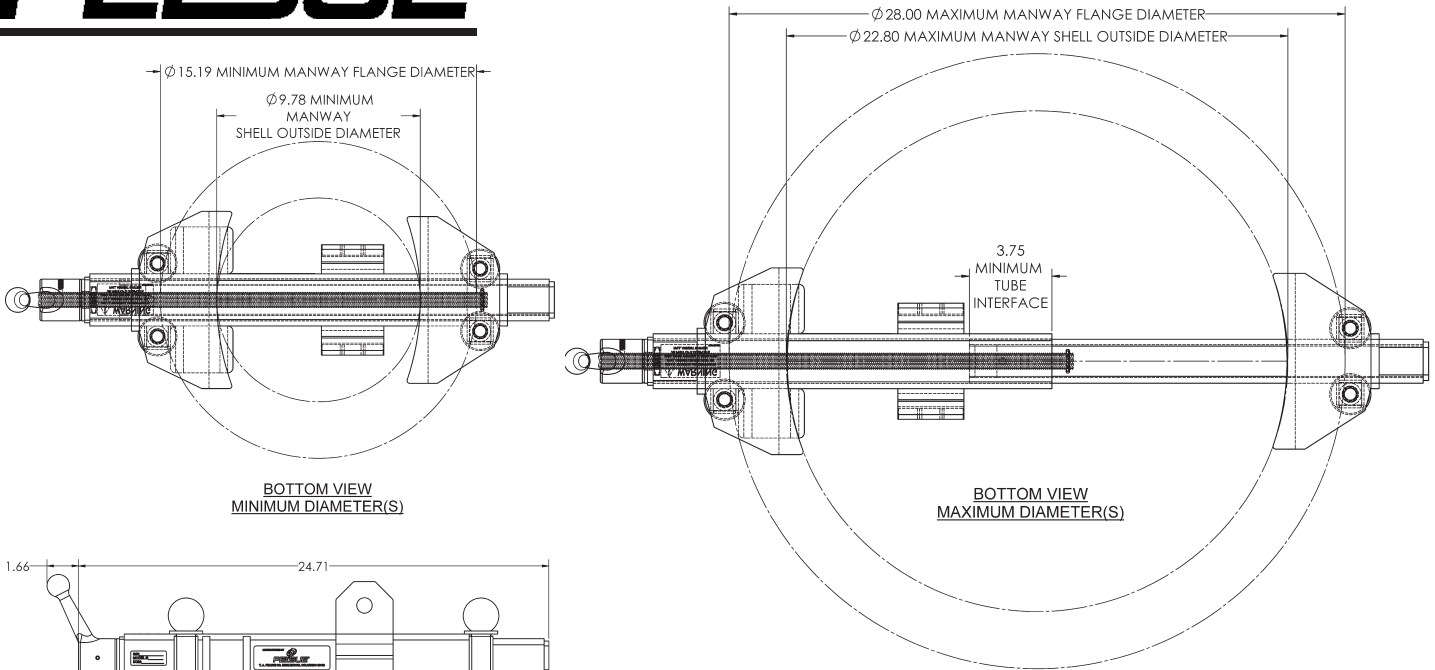
Usage Requirements & Limitations:

- The Model #AC-28R is only rated and approved for usage in conjunction with a Pelsue Model #FT-C70 Fall Arrest Post
- The Model #AC-28R is only to be used on manways having an outside flange diameter of between 16" & 28".
- The manway to which the Model #AC-28R is mounted must have a cover installed that is constructed of steel & is at least 1/4" thick for safe mounting.
 - The user must ensure that the manway structure & cover to which the #AC-28R is installed is capable of supporting all loads imparted to it by the #AC-28R clamp when the system is loaded to a magnitude equivalent to the #FT-C70 post's "proof load."
- The Model #AC-28R Clamp and #FT-C70 Post must be utilized as a complete system under the supervision of a qualified person.

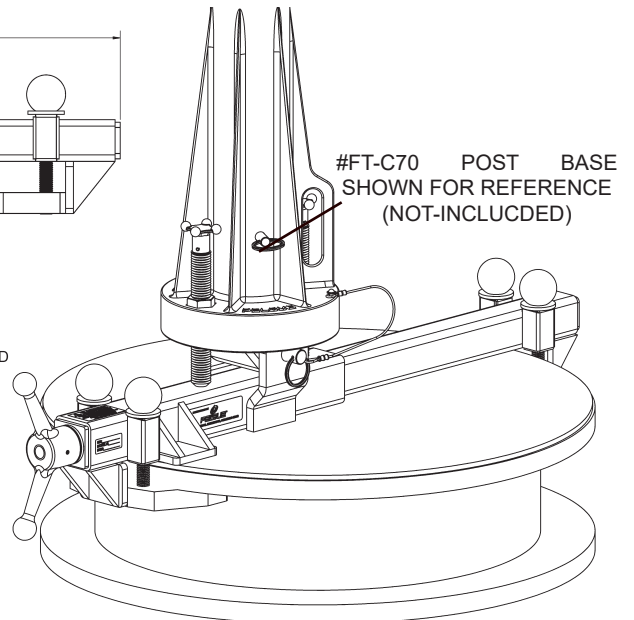

T.A. Pelsue Company
 2500 S. Tejon St.
 Englewood, CO 80110
 Ph: 1-800-525-8460, (303) 936-7432
 Fax: (303)934-5581
 Web: www.pelsue.com E-mail: sales@pelsue.com



Product Specifications



* THE CLAMP CAN BE EXTENDED TO THE DIMENSIONS SHOWN FOR THE PURPOSES OF INSTALLATION ONLY. THE CLAMP MUST BE SECURED TO A MANWAY FLANGE OF 28" MAXIMUM DIAMETER FOR ACTUAL USAGE



ISOMETRIC VIEW
(CLAMP SHOWN ON 28" FLANGE MANWAY WITH #FT-C70 TOWER)



2500 S. Tejon St.
 Englewood, CO 80110
 Ph: 1-800-525-8460, (303) 936-7432
 Fax: (303)934-5581
 Web: www.pelsue.com E-mail: sales@pelsue.com