



# Product Specifications

## Model: BC-14S Adjustable Anchor Clamp

The Pelsue #BC-14S Adjustable Anchor Clamp is built from carbon steel and has steel hardware. The BC-14S Adjustable Anchor Clamp is specifically designed to provide a portable mounting base for a fall arrest post. The #BC-14S is also equipped with a swivel D-Ring that provides a compliant anchorage for a fall arrest system when not used in conjunction with a fall arrest post. All specifications provided are based upon and only valid for usage with a Pelsue Fall Arrest Post. The T.A. Pelsue Company can not verify equipment safety and/or compliance when utilized with any other system.

### General Specifications:

Product is designed and tested to be used in 2 General Applications:

1. As a portable Fall Arrest Anchorage Point  
**Man Rated Load Capacity @ Anchor D-Ring.....**Single user of 350 LBS.  
 (159 KG.) Maximum Weight
  
2. As a portable Fall Arrest Post mounting base  
**Man Rated Load Capacity Using Fall Arrest Post.....**Rating is determined by fall arrest post.

**Warning!** A 900 LB. maximum arrest force (MAF) fall arrest device must be used when system is employed as part of a complete fall arrest system. Maximum weight of person upon anchorage is 350 LBS. (159 KG.) inclusive of all tools and equipment

### Materials & Construction:

**General Construction.....Welded Carbon Steel**

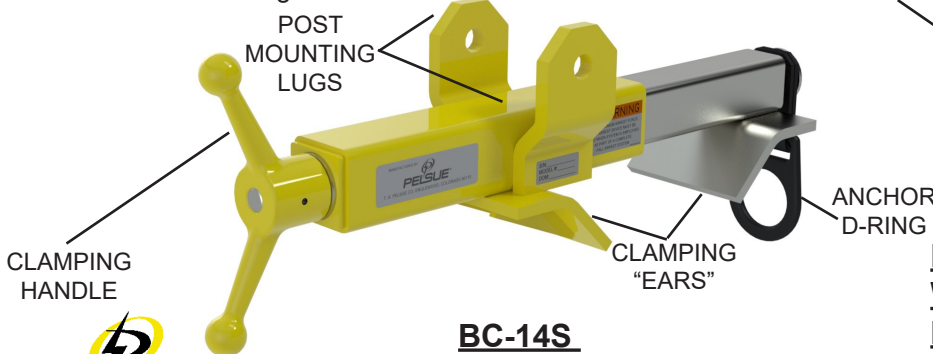
- Hardware .....Plated Steel
- Clamping Screw .....SAE Grade 2 Steel Threaded Rod
- Anchor Point Assembly .....Zinc Plated Steel

### Weight:

**Weight.....**31 LBS. (14.4 Kg)

### Features:

- Provides a portable fall arrest anchorage point
- Can be installed on various structural shapes (i.e. Wide Flanges, Angles, I-Beams)
- Provides a mounting base for a Pelsue Fall Arrest Post



**BC-14S**  
**ISOMETRIC VIEW**



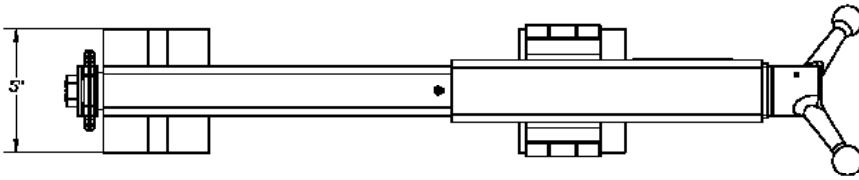
**BC-14S SHOWN ON TYPICAL**  
**WIDE-FLANGE SECTION WITH A**  
**MODEL #FT-C70 FALL ARREST**  
**POST INSTALLED**



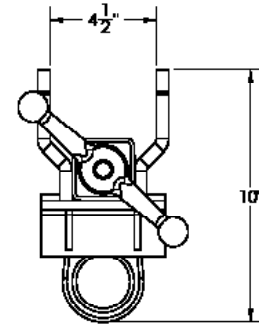
2500 S. Tejon St.  
 Englewood, CO 80110  
 Ph: 1-800-525-8460, (303) 936-7432  
 Fax: (303)934-5581  
 Web: www.pelsue.com E-mail: sales@pelsue.com



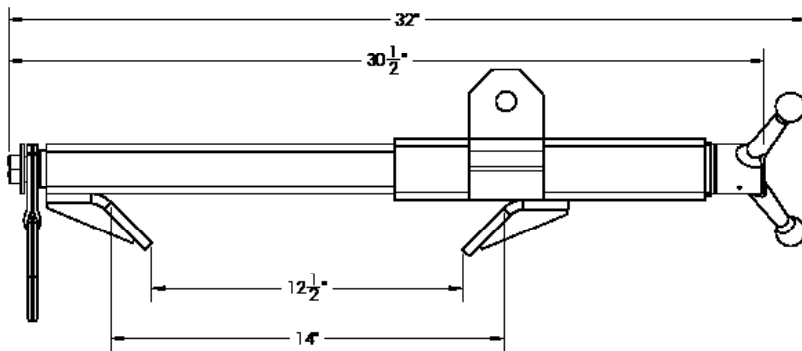
# Product Specifications



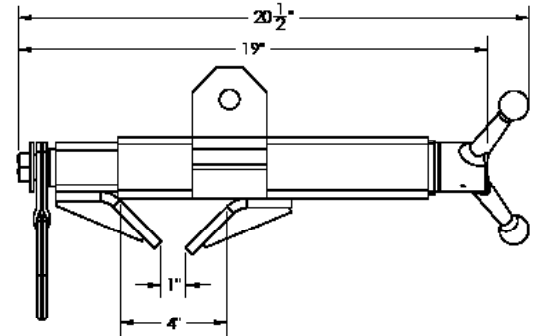
**TOP VIEW**



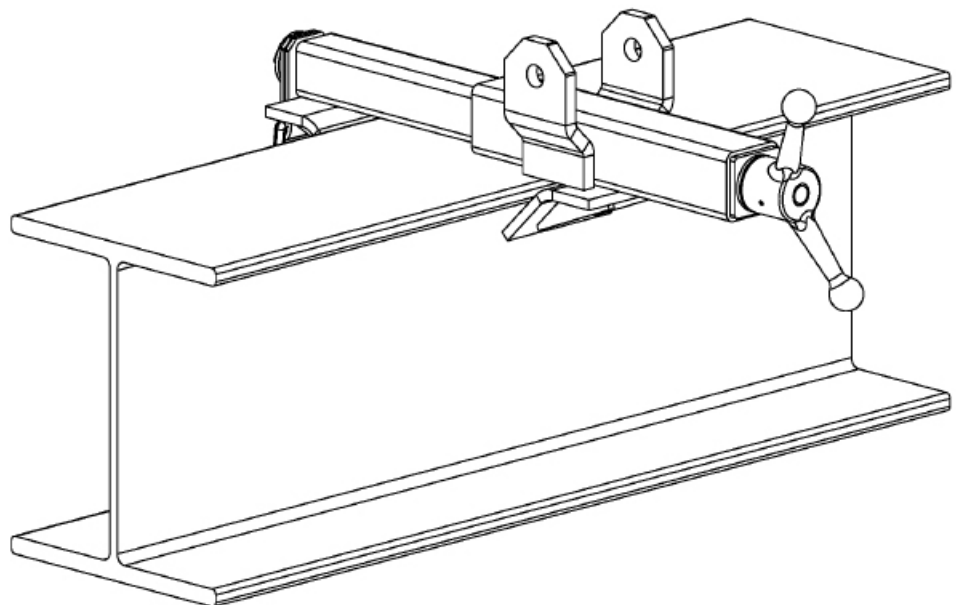
**FRONT VIEW**



**SIDE VIEW  
MAXIMUM WIDTH**



**SIDE VIEW  
MINIMUM WIDTH**



2500 S. Tejon St.

Englewood, CO 80110

Ph: 1-800-525-8460, (303) 936-7432

Fax: (303)934-5581

Web: [www.pelsue.com](http://www.pelsue.com) E-mail: [sales@pelsue.com](mailto:sales@pelsue.com)