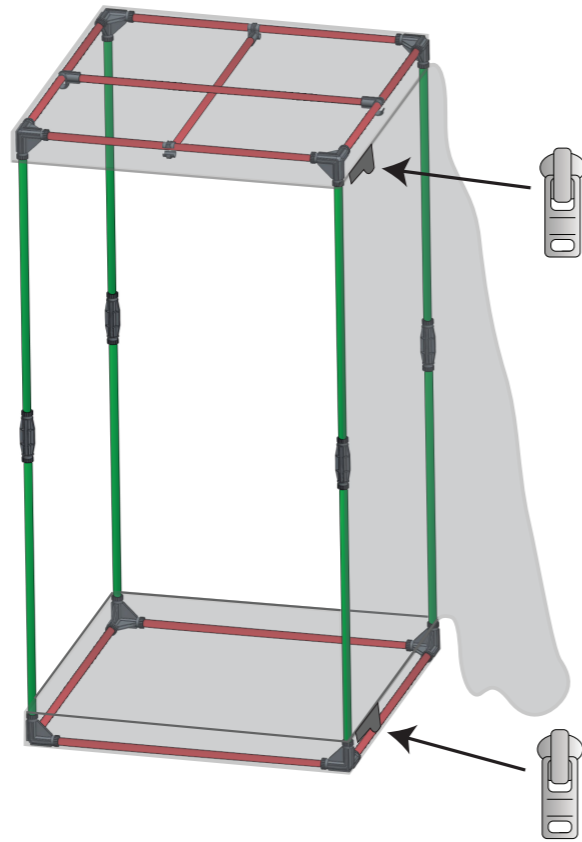


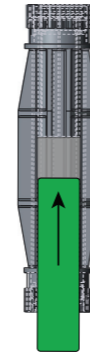
Step 5

Connect wall panel zip to the roof and base zips (under Velcro flaps).

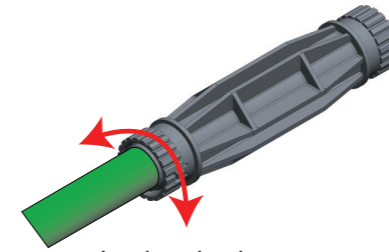


Assembly Instructions

One Person Assembly



Insert pole into connector
(ensure poles are fully inserted)



Lock poles into connectors
by rotating left or right

NOTE



If unable to Insert pole



CLICK!
Rotate locking
mechanism until it clicks



Insert pole into connector
(ensure poles are fully inserted)

Equipment Hangers

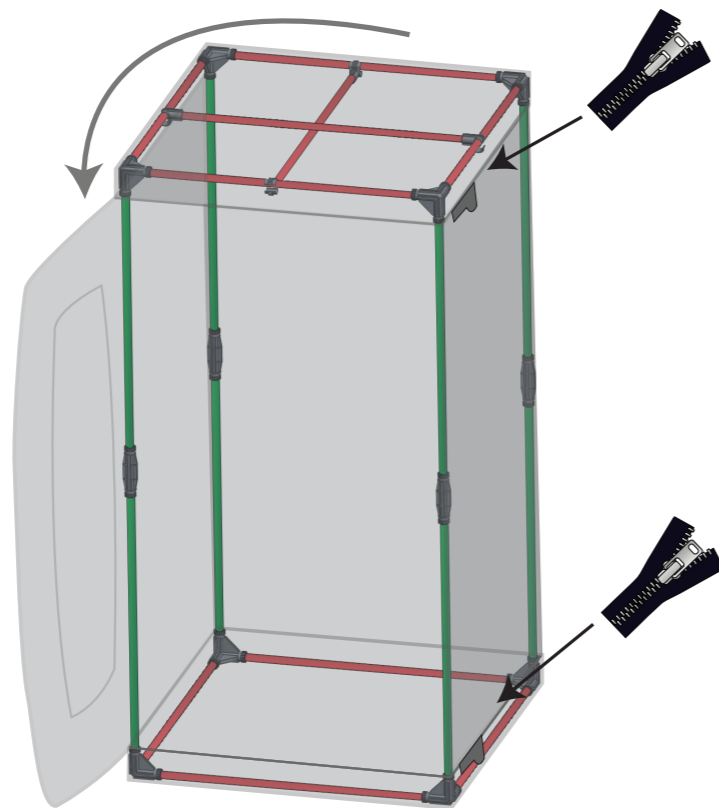
Lower Equipment Hanger



Upper Equipment Hanger

Step 6

Zip the wall panel to the roof and base.



Parts List



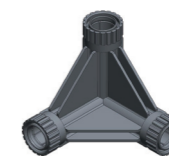
Red Pole
x10



Green Pole
x8



Straight
Connector
x4



3-Way
Corner
x8

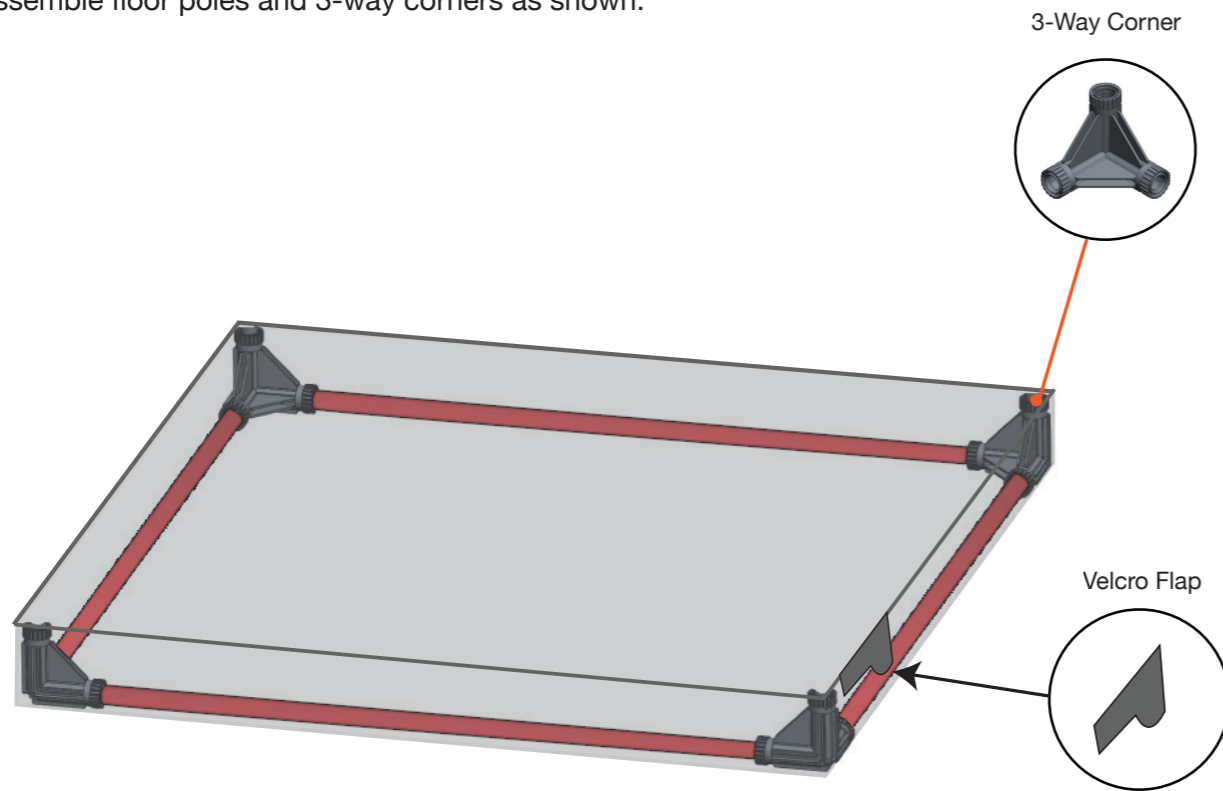


Equipment
Hanger Ends
x4



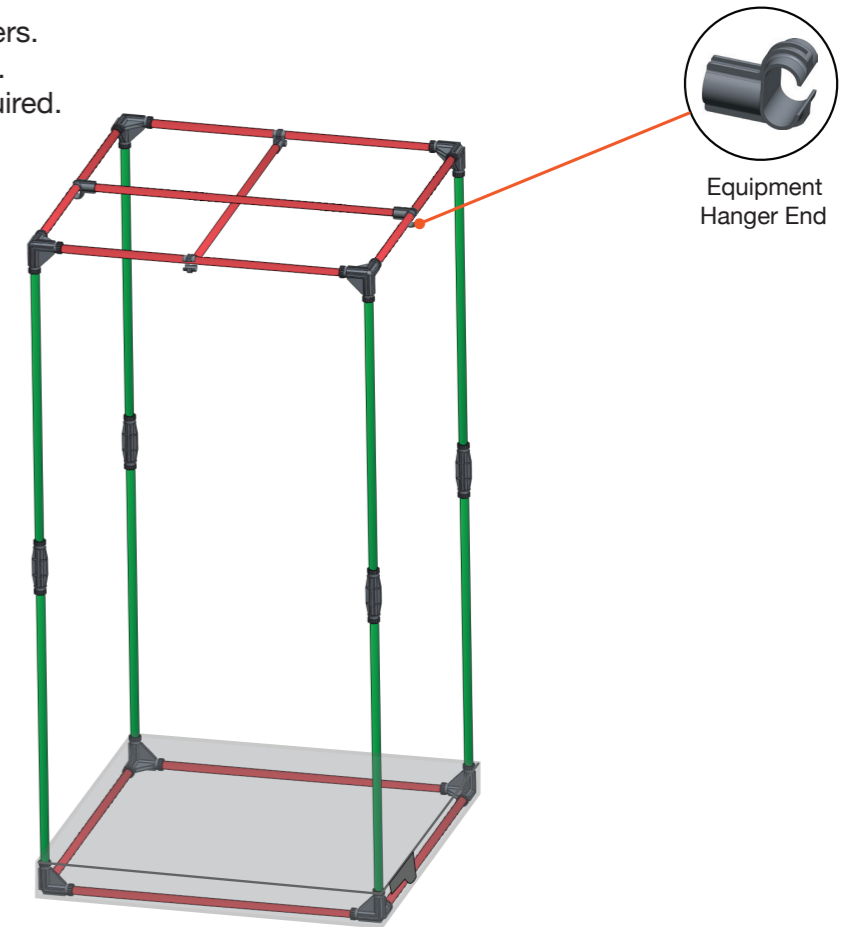
Step 1

Lay out base ensuring Velcro flap is in front right corner.
Assemble floor poles and 3-way corners as shown.



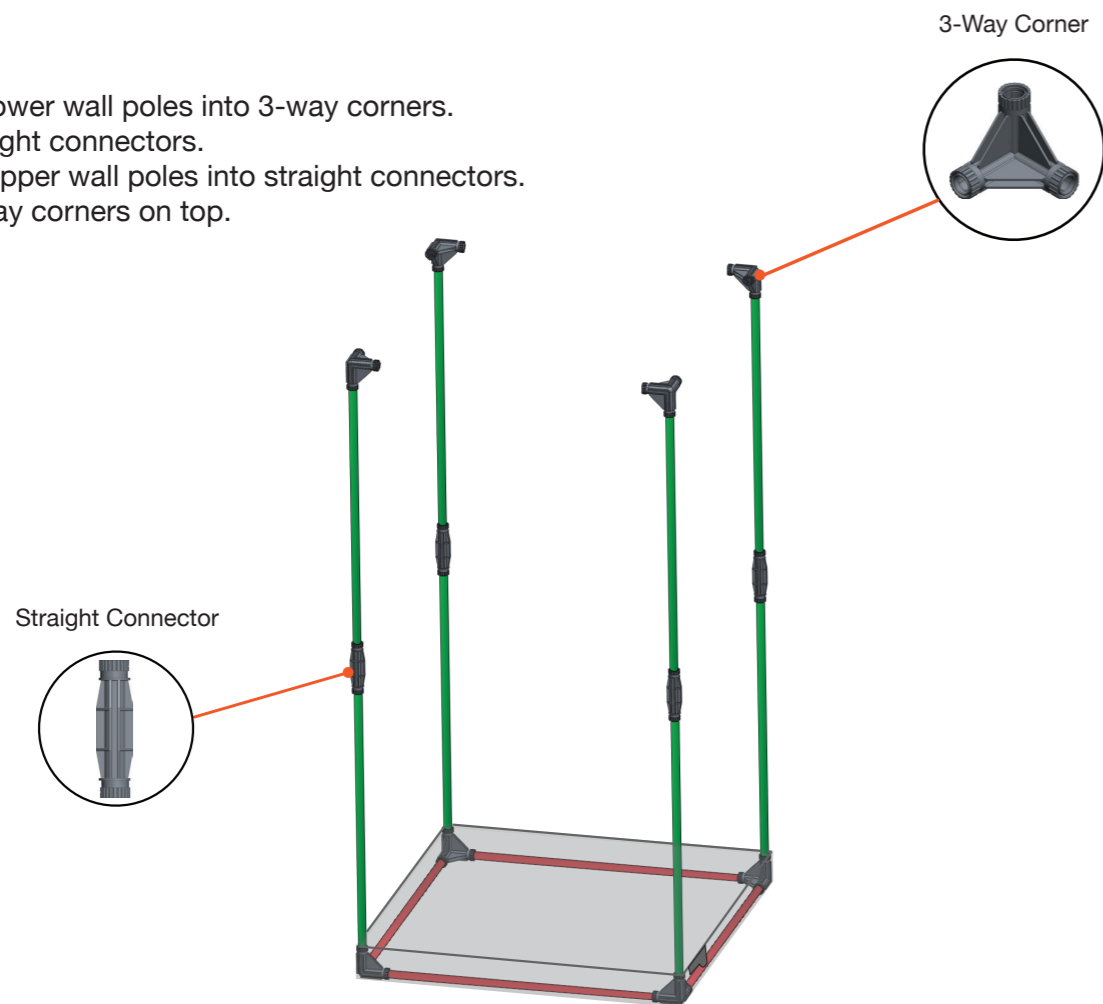
Step 3

Insert ceiling poles into 3-way corners.
Fit equipment hanger ends to poles.
Position equipment hangers as required.



Step 2

Insert lower wall poles into 3-way corners.
Fit straight connectors.
Insert upper wall poles into straight connectors.
Fit 3-way corners on top.



Step 4

Fit roof ensuring Velcro flap is in front right corner.

