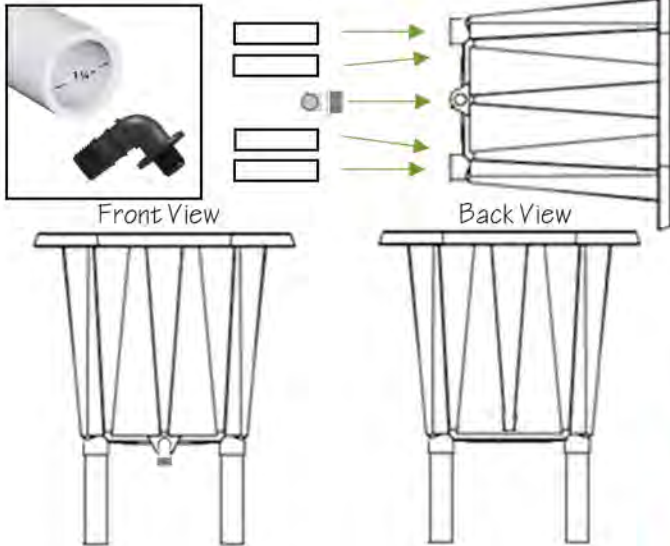


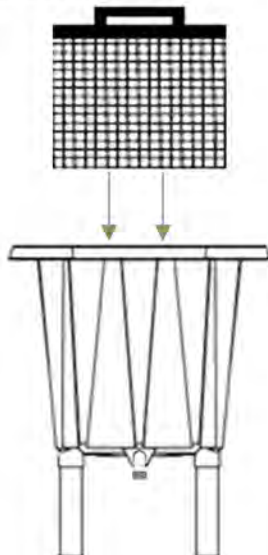
THE Bucket Company[®]

The WEIGHT is over!

1 STEP 1: Insert Four (4) 1-1/4" PVC Legs into the bottom slips of your planter and the elbow into the drain.



2 STEP 2: Grab your insert bag, open it and then place them inside of your planter.



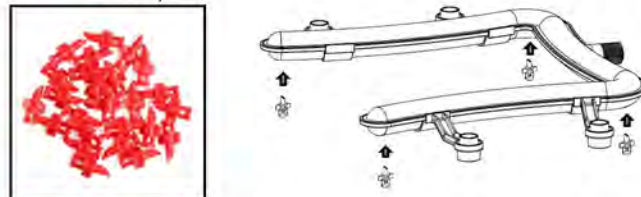
Note:
Do not fill the insert with medium until AFTER it is installed into your planter.

3 STEP 3: Slide Four (4) Irrigation Manifold Brackets onto Irrigation Manifold (2 per side).

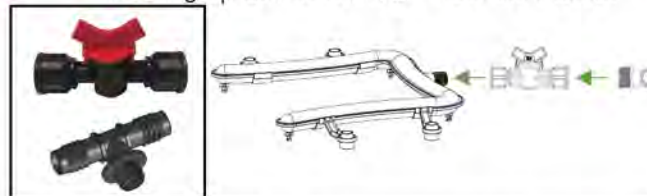


Note: Top View (sprayer holes facing downward)

4 STEP 4: Twist and Push Four (4) 360 Degree Sprayers into the holes at the bottom of the Manifold until they snap in.

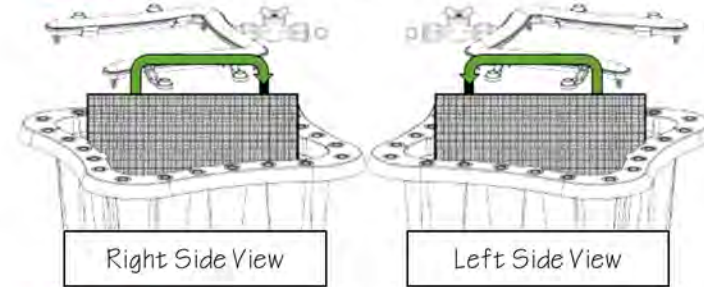


5 STEP 5: Hand-Tighten 1/2" Union Valve onto Irrigation Manifold w/ Red Handle Facing up & install 1/2" Tee to Valve.

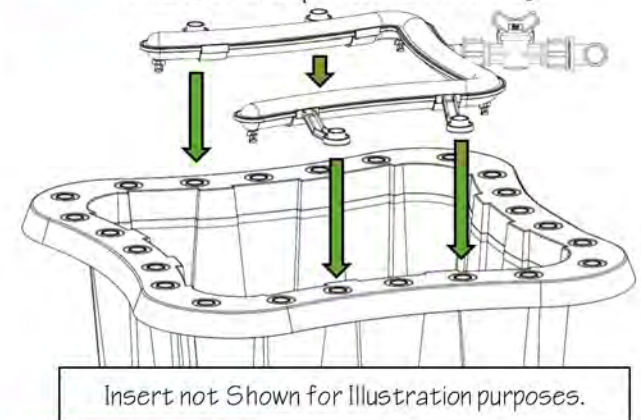


Note: Do not use PVC Cement on Valve Fittings

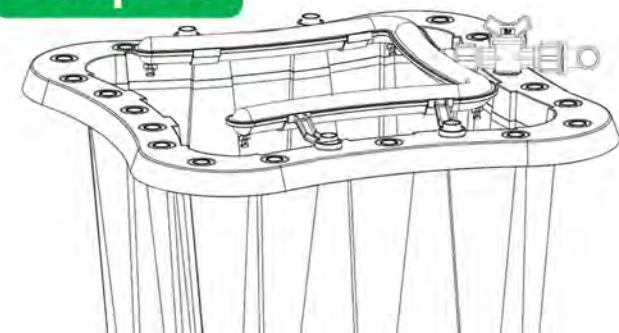
6 STEP 6: Loop Handles on both sides of Insert around Manifold Brackets.



7 STEP 7: Align Manifold and Brackets with mounting holes on the rim of the Planter and push down firmly.



Complete



Follow us @thebucketcompany



Planter



THE Medical Planter

FIRST EVER PLANTER
MADE WITH FDA & EPA
APPROVED PLASTIC.



ELIMINATE

- ✓ E-COLI
- ✓ MOLD
- ✓ ALGAE



NO MORE

- ✓ DRAIN PANS
- ✓ WET VAC SPILLS

Learn more at Company.com">THEBucketCompany.com

THE Company[®] Bucket

The WEIGHT is over!



The Ez-Pz Planter™ 10 Gal Planter Assembly Manual