

WINPLUS®

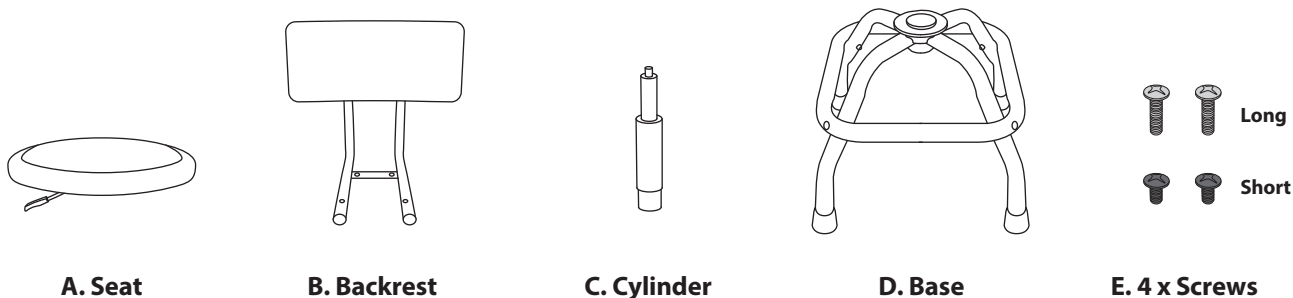
ULTRA CUSHIONED SHOP STOOL WITH DELUXE BACKREST

ITM. / ART. 1184042
Model: AC56382

CARE & USE INSTRUCTIONS

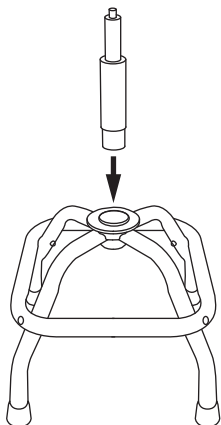
IMPORTANT, RETAIN FOR FUTURE REFERENCE: READ CAREFULLY

PACKAGE CONTAINS

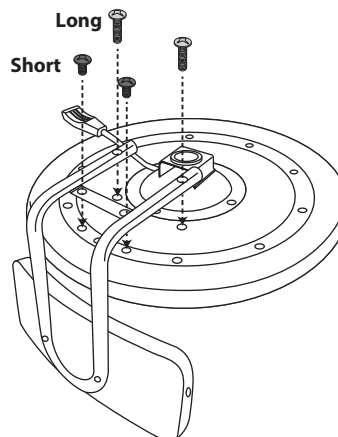


INSTALLATION

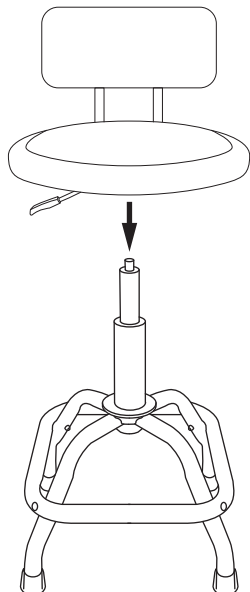
Step 1



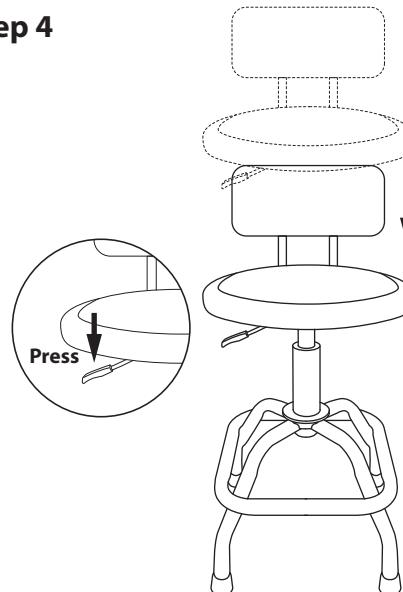
Step 2
(Optional)



Step 3



Step 4

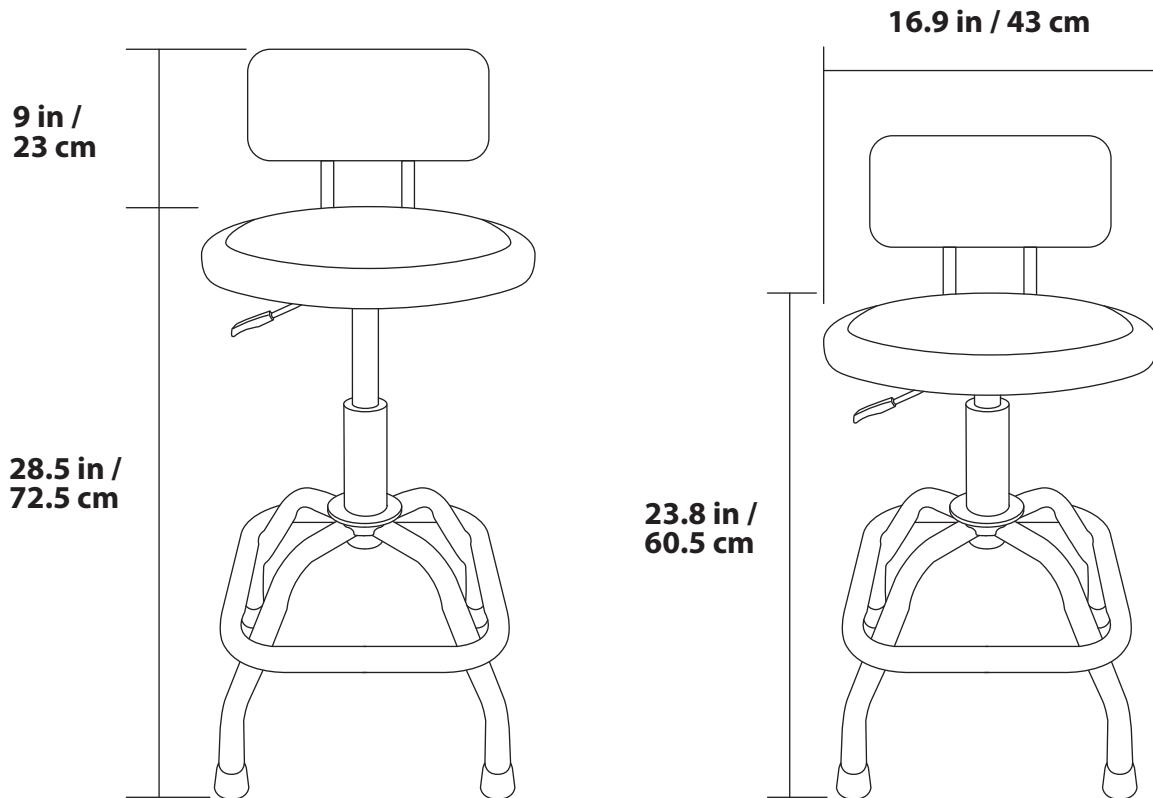


WINPLUS®

ULTRA CUSHIONED SHOP STOOL WITH DELUXE BACKREST

ITM. / ART. 1184042
Model: AC56382

Approximate Dimensions



WARNING: FAILURE TO HEED THESE WARNINGS CAN LEAD TO SERIOUS INJURY

1. **DO NOT** overload – the maximum weight capacity is 102 kg / 225 lb
2. **DO NOT** stand on stool or use the stool as a ladder
3. **DO NOT** tilt or lean back on the stool
4. **DO NOT** sit on the backrest or edge of the stool
5. **DO NOT** use the stool on uneven or nonlevel surface
6. For indoor use only
7. Only use the stool when fully and properly assembled
8. If the stool is not operating properly or if any parts are loose, broken or missing, immediately stop using the stool and contact our customer service.

Have a comment or question? Email us at customer@winplususa.com
or visit us online at www.winplus.com

WINPLUS®

820 South Wanamaker Ave., Ontario, CA 91761, USA | Tel: 1-866-294-9244
© 2017 Winplus North America Inc. All rights reserved.