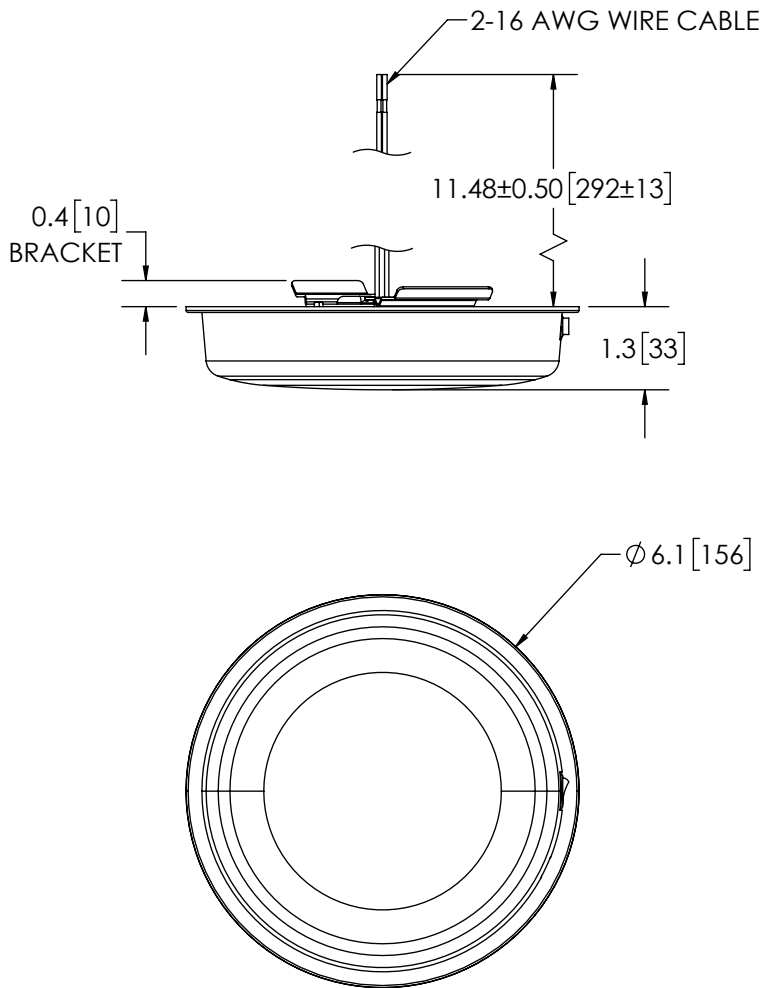


| REVISION HISTORY | | |
|------------------|----------------------------|------------|
| REV. | DESCRIPTION | DATE |
| 03 | REVISED PER EL0252 | 2021-10-06 |
| A | INITIAL RELEASE PER EL0252 | 2021-10-08 |
| B | REVISED PER EL0252 | 2022-01-18 |



SPECIFICATIONS

- CERTIFICATIONS: EPA
 Note: Unique components, accessories, and hardware kits are not typically included in the Product Certification Test Protocols. Unless otherwise Specified, the Product Certifications referred to herein are predicated upon the base product model configuration.
- RAW LUMENS: 380 lumens
- EFFECTIVE LUMENS: 370 lumens
- ILLUMINANCE (@100 FT): 0.12 lux
- PEAK BEAM INTENSITY: 123 candela
- VOLTAGE (NOMINAL): 12-24 VDC
- VOLTAGE (EXTREME): 10-30 VDC
- CURRENT (PEAK): 1.08A (@ 12 VDC NOMINAL)
- POWER (MAXIMUM): 13.8W (@ 12 VDC NOMINAL)
- TEMPERATURE RANGE: -40°F (-40°C) TO 149°F (65°C)
- CONNECTION: 2-20 AWG WIRES
- MOUNTING: BRACKET
- HOUSING MATERIAL: POLYPROPYLENE
- LENS MATERIAL: POLYPROPYLENE
- PRODUCT WEIGHT: 0.4 LBS (0.18 Kg)

NOTES:
 1. DIMENSIONS IN INCHES[MILLIMETERS (FOR REFERENCE)]

| | | | | |
|--|--|---|------------|---|
| SCALE 1:3 | | APPROVALS | DATE | www.code3esg.com Americas (314) 426-2700 Europe +44 (0)113 239 1111 Asia Pacific +61 (0)7 32937900 |
| CAD GENERATED DRAWING DO NOT MANUALLY UPDATE. MODEL REFERENCED:B | | DRAWN BY ABD | 2022-01-10 | |
| TOLERANCES ARE IN INCHES, AND MILLIMETERS TOLERANCES UNLESS OTHERWISE STATED ARE: | | CHECKED JW | 2022-01-11 | |
| MILLIMETERS DECIMALS XX. ± 1.0mm XX.X ± 0.5mm | | MECH. ENG. | | |
| INCHES DECIMALS X.X ± 0.1 X.XX ± 0.04 X.XXX ± 0.02 | | ELEC. ENG. | | |
| ANGLES ± 0.5° | | TEST ENG. BAK | | 2022-01-17 |
| FRACTIONS ± 1/64 | | SALES. | | CUSTOMER PART NO. DLC-LED-VV |
| THIRD ANGLE PROJECTION | | SIZE: A | | DWG. NO. DLC-LED-VV |
| | | Electronically Controlled Use Latest Copy | | REV. B |
| | | SHEET 1 OF 1 | | Project: EL0252 |
| | | Date Created: 2021-07-21 | | |

PROPRIETARY AND CONFIDENTIAL INFORMATION
 THIS DRAWING AND THE DESIGN AND OTHER INFORMATION DISCLOSED HEREIN ARE THE PROPERTY OF ELECTRONIC CONTROLS COMPANY AND/OR ITS ECCO SAFETY GROUP AFFILIATES ("CODE3") AND IS ISSUED IN CONFIDENCE TO RECIPIENT FOR ENGINEERING INFORMATION PURPOSES ONLY. THIS DRAWING AND THE DESIGN AND OTHER INFORMATION DISCLOSED HEREIN MAY NOT BE USED, COPIED, REPRODUCED OR OTHERWISE DISCLOSED IN PART OR IN WHOLE TO THIRD PARTIES OR USED FOR ANY OTHER PURPOSE WITHOUT PRIOR CODE3 WRITTEN CONSENT. CODE3 RESERVES ALL PATENT, COPYRIGHT, TRADEMARK AND OTHER PROPRIETARY RIGHTS TO THIS DOCUMENT, INCLUDING ALL DESIGN, MANUFACTURING, REPRODUCTION, USE AND SALES RIGHTS THERETO. THIS DRAWING IS SUBJECT TO RECALL BY CODE3 AT ANY TIME, AND YOUR POSSESSION AND/OR USE CONSTITUTES ACCEPTANCE OF THESE TERMS. ©2021 ELECTRONIC CONTROLS COMPANY