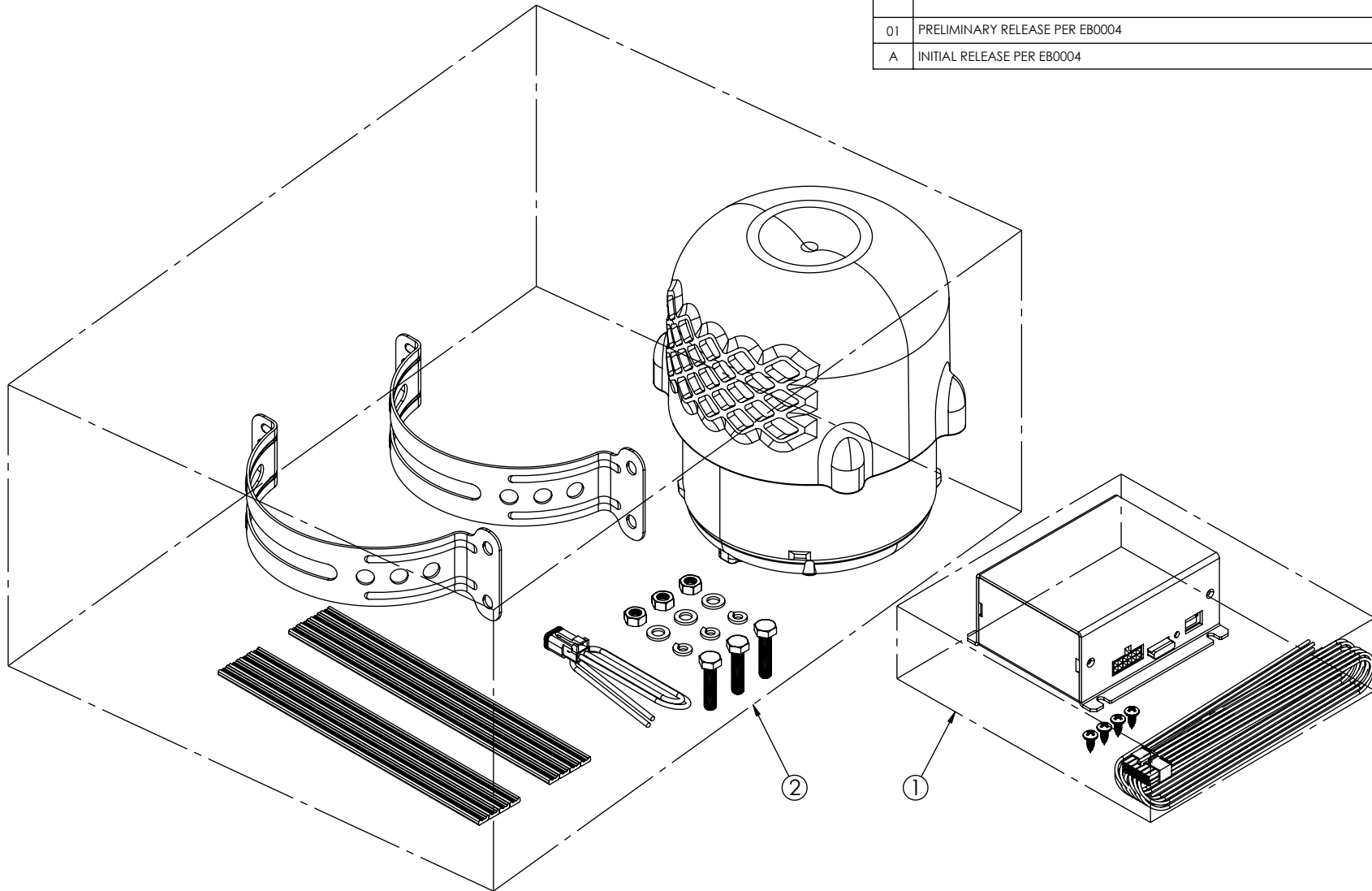


REVISION HISTORY		
REV.	DESCRIPTION	DATE
01	PRELIMINARY RELEASE PER EB0004	2022-03-25
A	INITIAL RELEASE PER EB0004	2024-05-02



ITEM NO.	QTY.	PART NUMBER	DESCRIPTION	COMMENTS
1	1	LF-AMP	LOW FREQUENCY AMP	
2	2	LF-SPK	LOW FREQUENCY SPEAKER	

APPROVALS		DATE
DRAWN BY	BTK	2022-03-25
CHECKED	JW	2022-03-28
MECH. ENG.		
ELEC. ENG.		
MFG. ENG.	RB	2022-03-25



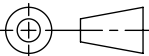
United States
1-800-635-5900
Americas@eccogroup.com

United Kingdom
+44 (0)113 237 5340
Europe@eccogroup.com

Australia
+61 (0)3 63322444
AsiaPacific@eccogroup.com

LOW FREQ SPEAKER KIT, 1 AMP, 2 SPEAKERS

SCALE 1:4
CAD GENERATED DRAWING
DO NOT MANUALLY UPDATE.



SIZE: A	DWG. NO. 100-LF-KIT	REV. A
Project: EB0004		Date Created: 2022-03-25

PROPRIETARY AND CONFIDENTIAL INFORMATION

THIS DRAWING AND THE DESIGN AND OTHER INFORMATION DISCLOSED HEREIN ARE THE PROPERTY OF ELECTRONIC CONTROLS COMPANY AND/OR ITS ECCO SAFETY GROUP AFFILIATES ("ESG") AND IS ISSUED IN CONFIDENCE TO RECIPIENT FOR ENGINEERING INFORMATION PURPOSES ONLY. THIS DRAWING AND THE DESIGN AND OTHER INFORMATION DISCLOSED HEREIN MAY NOT BE USED, COPIED, REPRODUCED OR OTHERWISE DISCLOSED IN PART OR IN WHOLE TO THIRD PARTIES OR USED FOR ANY OTHER PURPOSE WITHOUT PRIOR ESG WRITTEN CONSENT. ESG RESERVES ALL PATENT, COPYRIGHT, TRADEMARK AND OTHER PROPRIETARY RIGHTS TO THIS DOCUMENT, INCLUDING ALL DESIGN, MANUFACTURING, REPRODUCTION, USE AND SALES RIGHTS THERETO. THIS DRAWING IS SUBJECT TO RECALL BY ESG AT ANY TIME, AND YOUR POSSESSION AND/OR USE CONSTITUTES ACCEPTANCE OF THESE TERMS. ©2022 ELECTRONIC CONTROLS COMPANY

Electronically Controlled Use Latest Copy

SHEET 1 OF 1