

## CD5051VDL2 SERIES DECK, DASH & VISOR LIGHT

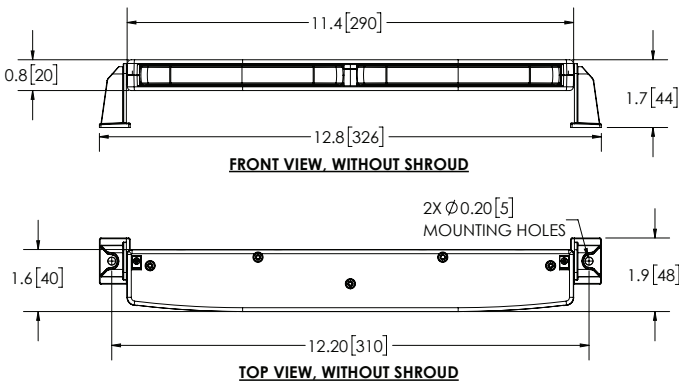


Code 3's low-profile, Matrix® compatible CD5051VDL2 deck, dash and visor light delivers discreet warning wherever an interior light is needed in a patrol unit, undercover unit or any other vehicle in the fleet. Permanently or temporarily mount the emergency warning light with included brackets using suction cups, tape or screws. The dual-color LED light heads are available in combinations of white and amber, red or blue colors, which are capable of producing 67 flash patterns including steady-burn. The cigarette plug adapter also includes a simple two-button controller. The removable shroud prevents unwanted flash back from the windshield.

VOLTS   AMPS	12-24V   1.7A
DIMS	0.8" H x 11.4" W x 1.6" D   20mm H x 290mm W x 40mm D (no shroud) 1.1" H x 12.1" W x 3.0" D   28mm H x 308mm W x 76mm D (shroud)
WATTS	21.1
FLASH PATTERNS	67
CERTS	CLASS I, CA T13, RCM, R65, R10, RoHS
DETAILS	<ul style="list-style-type: none"> <li>• Contains 2 CD5051 dual-color lighthead in a compact unit</li> <li>• Sleek design for low-profile applications</li> <li>• Removable visor hood for versatile use on deck, dash or windows</li> <li>• Multiple brackets included for permanent mount (screws or tape) or removable (suction cups)</li> <li>• Cigarette plug adapter and controller with flash pattern selector</li> <li>• Matrix Compatible</li> <li>• Temperature range: -40°F to 149°F (-40°C to 65°C)</li> </ul>

MODEL	TYPE	ILLUMINATION COLORS
CD5051VDL2-AW	Dual-Color Heads / Visor, Deck, Dash	AW
CD5051VDL2-BW	Dual-Color Heads / Visor, Deck, Dash	BW
CD5051VDL2-RW	Dual-Color Heads / Visor, Deck, Dash	RW
CD5051VDL2-RWBW	Dual-Color Heads / Visor, Deck, Dash	RWBW

### No Shroud



### With Shroud

