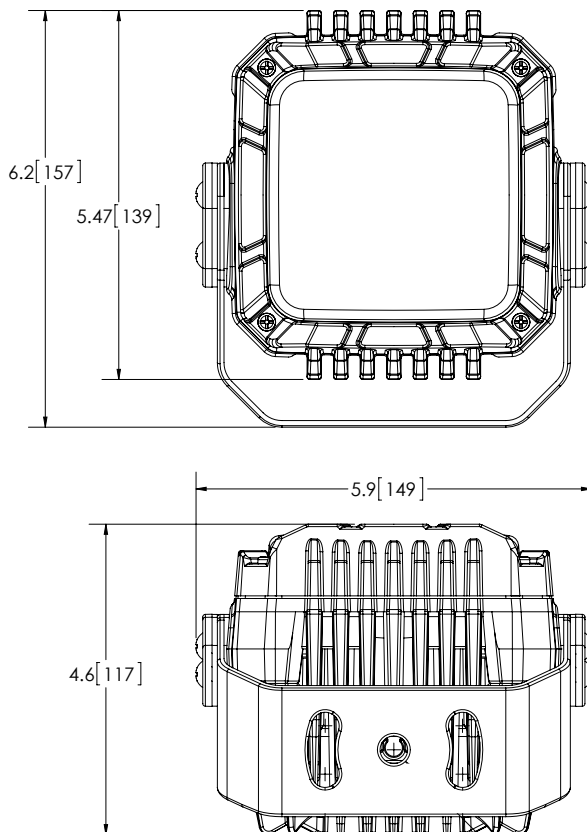


CW2311 HIGH-POWERED WORKLIGHT



The CW2311 is a heavy-duty flood light that is designed to withstand tough jobs under extreme conditions. It delivers nearly 5,000 Lumens of intense light with its nine, ten-watt LEDs. The articulating worklight comes equipped with a stainless-steel bracket for easy installation. It features durable aluminum, heatsink housing along with a tough polycarbonate lens.



VOLTS AMPS	12-24V 5.3A
DIMS	6.2" H x 5.7" L x 4.6" D 157mm H x 145mm L x 117mm D
CERTS	CE, IP69K, RoHS

DETAILS	<ul style="list-style-type: none"> ▪ Vibration-protected bracket ▪ Clear polycarbonate lens ▪ Nine 10-watt LEDs ▪ Aluminum heatsink housing ▪ Heavy-duty stainless steel articulating bracket
---------	--

MODEL	TYPE	LUMENS (RAW)
CW2311	Flood	4,950