



Colors alternate in each light segment

EXTERIOR LIGHTING



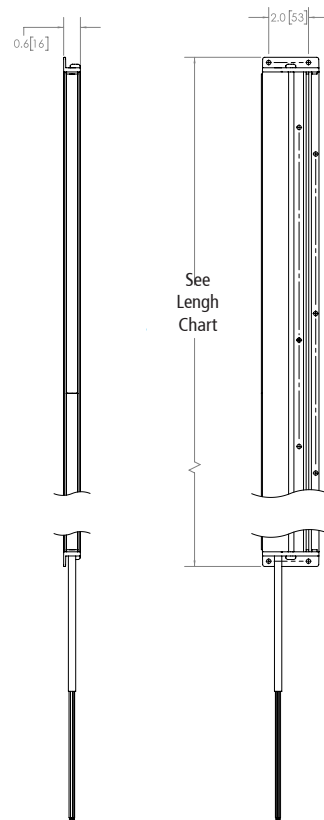
OUTLINER™ PERIMETER SERIES Running Boards, Push Bumpers, Tailgates

The Outliner™ distributes a bright output to increase vehicle visibility and can be installed on running boards, push bumpers, tailgates, or any other perimeter location. It is available in split and solid color combinations and 10 flash patterns including dim and steady burn override. Features include high grade powder coated aluminum housing, sealed lightheads, IP67 rated, 55" cable enclosed in a jacket, and phase 1 and phase 2 syncing capabilities.

Models

PART NO.	LENGTH	AMPS	LED COLOR
C3RNR-24L-XX	24"	0.3	Blue, Red, Red, White
C3RNR-36L-XX	36"	0.6	Blue, Blue, Red, Red, White
C3RNR-60_-XX	60"	0.6	Amber, Blue, Blue, Red, Red, White
C3RNR-72_-XX	72"	1.1	Amber, Blue, Amber, Blue, Blue, Red, Red, White

Replace "X" with **A** = Amber, **B** = Blue, **R** = Red, **W** = White
 Replace "_ " with "L" for left side wire exit or "R" for right side wire exit



Features and Benefits

- 12 VDC
- 10 Flash Patterns
- Universal surface mount capability
- Standard models available or mix and match colors to create your own color combinations
- Powder coated aluminum frame