



# Installation and Operation Instructions

## Thin WingMan Series


### MATRIX® Enabled

**IMPORTANT!** Read all instructions before installing and using. Installer: This manual must be delivered to the end user.



**WARNING!**

Failure to install or use this product according to manufacturer's recommendations may result in property damage, serious injury, and/or death to those you are seeking to protect!

 **Do not install and/or operate this safety product unless you have read and understood the safety information contained in this manual.**

1. Proper installation combined with operator training in the use, care, and maintenance of emergency warning devices are essential to ensure the safety of emergency personnel and the public.
2. Emergency warning devices often require high electrical voltages and/or currents. Exercise caution when working with live electrical connections.
3. This product must be properly grounded. Inadequate grounding and/or shorting of electrical connections can cause high current arcing, which can cause personal injury and/or severe vehicle damage, including fire.
4. Proper placement and installation is vital to the performance of this warning device. Install this product so that output performance of the system is maximized and the controls are placed within convenient reach of the operator so that they can operate the system without losing eye contact with the roadway.
5. Do not install this product or route any wires in the deployment area of an air bag. Equipment mounted or located in an air bag deployment area may reduce the effectiveness of the air bag or become a projectile that could cause serious personal injury or death. Refer to the vehicle owner's manual for the air bag deployment area. It is the responsibility of the user/operator to determine a suitable mounting location ensuring the safety of all passengers inside the vehicle particularly avoiding areas of potential head impact.
6. It is the responsibility of the vehicle operator to ensure daily that all features of this product work correctly. In use, the vehicle operator should ensure the projection of the warning signal is not blocked by vehicle components (i.e., open trunks or compartment doors), people, vehicles or other obstructions.
7. The use of this or any other warning device does not ensure all drivers can or will observe or react to an emergency warning signal. Never take the right-of-way for granted. It is the vehicle operator's responsibility to be sure they can proceed safely before entering an intersection, drive against traffic, respond at a high rate of speed, or walk on or around traffic lanes.
8. This equipment is intended for use by authorized personnel only. The user is responsible for understanding and obeying all laws regarding emergency warning devices. Therefore, the user should check all applicable city, state, and federal laws and regulations. The manufacturer assumes no liability for any loss resulting from the use of this warning device.

#### Specifications:

Weight:	5.2lbs
Input Voltage:	12-24 VDC
Input Current:	6.8 A max.
Output Power:	87.0 W max.
Fusing Requirement:	10A
Matrix® Connectivity:	CAT5
Operating Temperature:	-40°C to 65°C (-40°F to 149°F)

## Unpacking and Pre-Installation:

Carefully remove the product and place it on a flat surface. Examine the unit for transit damage and locate all parts. If damage is found or parts are missing, contact the transit company or Code 3. Do not use damaged or broken parts.

Ensure the product voltage is compatible with the planned installation.

## Installation and Mounting:

Thin WingMan vehicle specific mounting kits are available on our website. For information on how to mount the Thin WingMan using vehicle specific kits, please refer to the installation instructions provided with those kits.

A universal mounting bracket (P/N: TWMTG-UNIV) is also available. See below for installation instructions.

The Universal kit includes (2) 90 Degree Universal Mounting Brackets. These brackets can be bolted to the Outer Panel of the Thin WingMan and modified as needed to mount the unit. The Thin WingMan must be hard mounted to the sheet metal of the vehicle to prevent injury to passengers in the event of a collision. It is the installers responsibility to ensure the product is mounted securely. Make sure proper support is provided between the vehicle's sheet metal and the fiber/fabric of the package tray area as in many cases there is a substantial air gap between them. In some cases you will need to self fabricate brackets to adapt the Thin WingMan to your vehicle.

**Caution!!! When installing the unit do not push it too hard against the rear window. The unit only needs to just touch the glass enough to fold the gasket flange back & block out as much flash back light as possible. A broken rear window can result if the unit is installed too tight against the glass!**

## Wiring Instructions:

**IMPORTANT! This unit is a safety device and it must be connected to its own separate, fused power point to assure its continued operation should any other electrical accessory fail. Do not wire in parallel with any other accessory.**

### Notes:

- Larger wires and tight connections will provide longer service life for components. For high current wires it is highly recommended that terminal blocks or soldered connections be used with shrink tubing to protect the connections. Do not use insulation displacement connectors (e.g., 3M Scotchlock type connectors).
- Route wiring using grommets and sealant when passing through compartment walls. Minimize the number of splices to reduce voltage drop. High ambient temperatures (e.g., under-hood) will significantly reduce the current carrying capacity of wires, fuses, and circuit breakers. All wiring should conform to the minimum wire size and other recommendations of the manufacturer and be protected from moving parts and hot surfaces. Looms, grommets, cable ties, and similar installation hardware should be used to anchor and protect all wiring.
- Fuses or circuit breakers should be located as close to the power takeoff points as possible and properly sized to protect the wiring and devices.
- Particular attention should be paid to the location and method of making electrical connections and splices to protect these points from corrosion and loss of conductivity.
- Ground termination should only be made to substantial chassis components, preferably directly to the vehicle battery.
- Circuit breakers are very sensitive to high temperatures and will “false trip” when mounted in hot environments or operated close to their capacity.

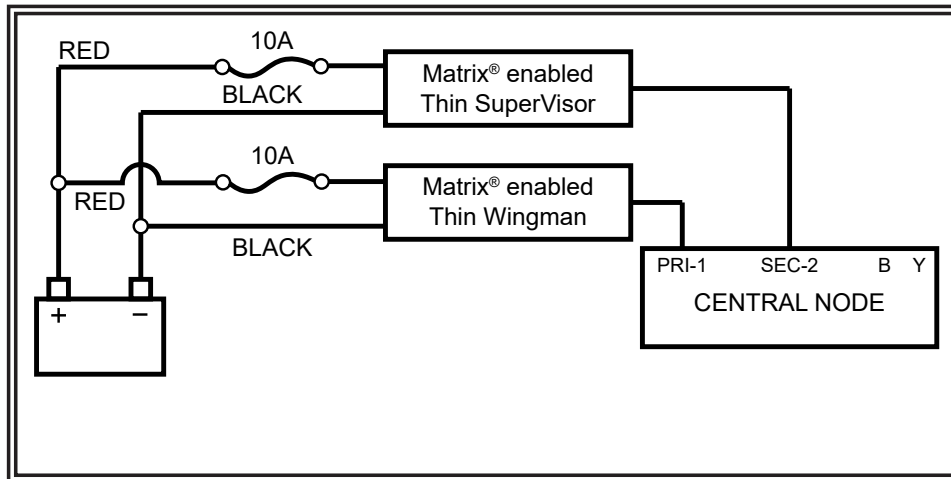


### Caution:

Disconnect the battery before wiring up the product, to prevent accidental shorting, arcing and/or electrical shock.

Connect the red (power) and black (ground) wires from the Matrix® enabled Thin WingMan to a nominal 12-24 VDC supply, along with a customer supplied in-line, 10A slow blow ATC style fuse. **Please note that the fuse holder selected by the customer must also be rated by its manufacturer to meet or exceed the corresponding fuse ampacity.** See Figure 1 for details.

The Matrix® enabled Thin WingMan must also connect back to a central node, such as the Serial Interface Box or Z3 Serial Siren, to establish serial communication with the larger network. Please note, for CAT5 connections the PRI-1 port must always be utilized first, before additional devices can be connected to the SEC-2 port. See Figure 1 for details.



**Figure 1**

The Matrix® network is designed to accommodate a large number of accessory devices. However, Matrix® enabled Thin WingMan utilizing CAT5 will always be the last device in either the PRI-1 or SEC-2 chain. Further instructions, features, and control options are detailed in the installation manual of the customer selected “Central Node”.

The following table indicates the default flash patterns of the Matrix® enabled Thin WingMan. These patterns are activated by other Matrix® compatible products, connected to the Matrix® enabled Thin WingMan. These can easily be reconfigured as desired, in the Matrix® Configurator. See Matrix® Configuration Quick Start Manual for details.

Default Flash Patterns	
Default	Description
Dim	30%
Cruise	Dim, Primary Steady
Level 3	Primary w/ Secondary Pops Triple Flash 150
Level 2	Primary Double Flash 115
Level 1	Primary Smooth Sweep
Brake	Steady Red
Rear Cut	
Left Arrow	Tertiary Left Building Fast
Right Arrow	Tertiary Right Building Fast
Center Out	Tertiary Center Out Building Fast
Arrow Flash	Tertiary Simultaneous Fast Flash

Matrix Thin WingMan Flash Pattern Compliance Chart									
No.	Description	FPM	SAE J595				CA TITLE 13		
			Red	Blue	Amber	White	Red	Blue	Amber
1	Double	75	Pending	Pending	Pending	Pending	Pending	Pending	Pending
2	Triple	75	Pending	Pending	Pending	Pending	Pending	Pending	Pending
3	Quad	75	Pending	Pending	Pending	Pending	Pending	Pending	Pending
4	Quint	75	Pending	Pending	Pending	Pending	Pending	Pending	Pending
5	Double	150	Pending	Pending	Pending	Pending	-	-	-
6	Triple	150	Pending	Pending	Pending	Pending	-	-	-
7	Quad	150	Pending	Pending	Pending	Pending	-	-	-
8	Quint	150	Pending	Pending	Pending	Pending	-	-	-
9	Triple Pop	150	Pending	Pending	Pending	Pending	Pending	Pending	Pending
10	Quad Pop	150	Pending	Pending	Pending	Pending	Pending	Pending	Pending
11	Single	375	Pending	Pending	Pending	Pending	-	-	-
12	Title 13 Double	75	Pending	Pending	Pending	Pending	Pending	Pending	Pending
13	Title 13 Double	115	Pending	Pending	Pending	Pending	Pending	Pending	Pending

### Replacement Parts:

Description	Part No.
<b>Gaskets</b>	
Replace Thin WingMan Gasket	CZ4103

## Troubleshooting:

All lightbars are thoroughly tested prior to shipment. However, should you encounter a problem during installation or during the life of the product, follow the guide below for troubleshooting and repair information. If the problem cannot be rectified using the solutions given below, additional information may be obtained from the manufacturer – contact details are at the end of this document.

Problem	Possible Cause(s)	Comments / Response
No Power	Faulty wiring	Ensure power and ground connections to the product are secured. Remove and reconnect the red power wire to the vehicle battery.
	Input Voltage	The product is equipped with an over voltage lockout circuit. During a sustained overvoltage event, the controller inside will maintain communication with the rest of the Matrix® network, but disable power out to the light modules. Look for the solid red V_FAULT LED. Ensure that input voltage does not exceed the specified range for your particular model. When overvoltage occurs, the input must temporarily drop ~1V below the maximum limit in order to resume normal operation.
	Blown fuse	The product may have blown an upstream fuse. Check and replace fuse if necessary.
No Communication	Ignition input	An ignition wire input is first required to bring the central node out of a sleep state. From that point, the central node controls the status of all other Matrix® compatible devices, including the Thin WingMan. If the device is active, you should see a flashing green STATUS LED on the controller inside. See the installation manual of the customer selected central node for further troubleshooting of the ignition input.
	Connectivity	Ensure that the CAT5 cable is securely connected back to a central node. Ensure that any other cables connecting Matrix® compatible accessory devices in a CAT5 daisy chain are fully seated with positive lock. Remember that the PRI-1 jack at the central node must first be used, before the SEC-2 jack can be used.
Bad Light Module	No Response	Verify that the harness connection is secure at the back of each module.
	Short Circuit	If any one light module is shorted out, and the user attempts to activate a flash pattern, the pattern will not operate. Instead, the controller inside the Thin WingMan will display a solid red I_FAULT LED.

**Notes:**

**Notes:**

## Warranty:

### Manufacturer Limited Warranty Policy:

Manufacturer warrants that on the date of purchase this product will conform to Manufacturer's specifications for this product (which are available from the Manufacturer upon request). This Limited Warranty extends for Sixty (60) months from the date of purchase.

**DAMAGE TO PARTS OR PRODUCTS RESULTING FROM TAMPERING, ACCIDENT, ABUSE, MISUSE, NEGLIGENCE, UNAPPROVED MODIFICATIONS, FIRE OR OTHER HAZARD; IMPROPER INSTALLATION OR OPERATION; OR NOT BEING MAINTAINED IN ACCORDANCE WITH THE MAINTENANCE PROCEDURES SET FORTH IN MANUFACTURER'S INSTALLATION AND OPERATING INSTRUCTIONS VOIDS THIS LIMITED WARRANTY.**

### Exclusion of Other Warranties:

MANUFACTURER MAKES NO OTHER WARRANTIES, EXPRESS OR IMPLIED. THE IMPLIED WARRANTIES FOR MERCHANTABILITY, QUALITY OR FITNESS FOR A PARTICULAR PURPOSE, OR ARISING FROM A COURSE OF DEALING, USAGE OR TRADE PRACTICE ARE HEREBY EXCLUDED AND SHALL NOT APPLY TO THE PRODUCT AND ARE HEREBY DISCLAIMED, EXCEPT TO THE EXTENT PROHIBITED BY APPLICABLE LAW. ORAL STATEMENTS OR REPRESENTATIONS ABOUT THE PRODUCT DO NOT CONSTITUTE WARRANTIES.

### Remedies and Limitation of Liability:

MANUFACTURER'S SOLE LIABILITY AND BUYER'S EXCLUSIVE REMEDY IN CONTRACT, TORT (INCLUDING NEGLIGENCE), OR UNDER ANY OTHER THEORY AGAINST MANUFACTURER REGARDING THE PRODUCT AND ITS USE SHALL BE, AT MANUFACTURER'S DISCRETION, THE REPLACEMENT OR REPAIR OF THE PRODUCT, OR THE REFUND OF THE PURCHASE PRICE PAID BY BUYER FOR NON-CONFORMING PRODUCT. IN NO EVENT SHALL MANUFACTURER'S LIABILITY ARISING OUT OF THIS LIMITED WARRANTY OR ANY OTHER CLAIM RELATED TO THE MANUFACTURER'S PRODUCTS EXCEED THE AMOUNT PAID FOR THE PRODUCT BY BUYER AT THE TIME OF THE ORIGINAL PURCHASE. IN NO EVENT SHALL MANUFACTURER BE LIABLE FOR LOST PROFITS, THE COST OF SUBSTITUTE EQUIPMENT OR LABOR, PROPERTY DAMAGE, OR OTHER SPECIAL, CONSEQUENTIAL, OR INCIDENTAL DAMAGES BASED UPON ANY CLAIM FOR BREACH OF CONTRACT, IMPROPER INSTALLATION, NEGLIGENCE, OR OTHER CLAIM, EVEN IF MANUFACTURER OR A MANUFACTURER'S REPRESENTATIVE HAS BEEN ADVISED OF THE POSSIBILITY OF SUCH DAMAGES. MANUFACTURER SHALL HAVE NO FURTHER OBLIGATION OR LIABILITY WITH RESPECT TO THE PRODUCT OR ITS SALE, OPERATION AND USE, AND MANUFACTURER NEITHER ASSUMES NOR AUTHORIZES THE ASSUMPTION OF ANY OTHER OBLIGATION OR LIABILITY IN CONNECTION WITH SUCH PRODUCT.

This Limited Warranty defines specific legal rights. You may have other legal rights which vary from jurisdiction to jurisdiction. Some jurisdictions do not allow the exclusion or limitation of incidental or consequential damages.

### Product Returns:

If a product must be returned for repair or replacement\*, please contact our factory to obtain a Return Goods Authorization Number (RGA number) before you ship the product to Code 3®, Inc. Write the RGA number clearly on the package near the mailing label. Be sure you use sufficient packing materials to avoid damage to the product being returned while in transit.

\*Code 3®, Inc. reserves the right to repair or replace at its discretion. Code 3®, Inc. assumes no responsibility or liability for expenses incurred for the removal and /or reinstallation of products requiring service and/or repair.; nor for the packaging, handling, and shipping; nor for the handling of products returned to sender after the service has been rendered.



10986 North Warson Road  
St. Louis, MO 63114

**Technical Service**

USA (314) 996-2800

c3\_tech\_support@code3esg.com

**Customer Service**

UK +44 (0)113 237 5340

AUS +61 (0)3 63322444

www.code3esg.com

An ECCO SAFETY GROUP™ Brand  
www.eccosafetygroup.com



¡IMPORTANTE! Lea todas las instrucciones antes de instalar y utilizar. Instalador: Este manual se debe entregar al usuario final.



### ADVERTENCIA

Si este producto no se instala o se utiliza de acuerdo con las recomendaciones del fabricante, esto podría tener como resultado daños a la propiedad, lesiones graves o la muerte de las personas que se busca proteger.



**No instale ni opere este producto de seguridad, a menos que haya leído y comprendido la información de seguridad contenida en este manual.**

1. La correcta instalación junto con la capacitación del operador respecto del uso, el cuidado y el mantenimiento de los dispositivos de advertencia de emergencia son esenciales para garantizar la seguridad del personal de emergencia y del público.
2. Los dispositivos de advertencia de emergencia a menudo requieren altas tensiones o corrientes eléctricas. Tenga precaución cuando trabaje con conexiones eléctricas con carga.
3. Este producto debe estar correctamente conectado a tierra. La conexión inadecuada a tierra o el cortocircuito de las conexiones eléctricas pueden causar arcos con alta corriente, lo que puede causar lesiones físicas o daños graves en vehículos, incluido fuego.
4. La correcta ubicación e instalación son vitales para el rendimiento de este dispositivo de advertencia. Instale este producto de forma que el rendimiento de producción del sistema se maximice y los controles estén situados a una distancia apropiada para el operador, de modo que pueda operar el sistema sin perder contacto visual con el camino.
5. No instale este producto ni tienda los cables en el área de despliegue de una bolsa de aire. Los equipos instalados o montados en el área de despliegue de una bolsa de aire pueden reducir su eficacia o convertirse en un proyectil que podría causar lesiones personales graves o la muerte. Consulte el manual del propietario del vehículo para ver el área de despliegue de la bolsa de aire. Es responsabilidad del operador/usuario determinar la ubicación idónea para el montaje que garantice la seguridad de todos los pasajeros en el interior del vehículo. En particular, se deben evitar las áreas de posible impacto con la cabeza.
6. Es responsabilidad del operador del vehículo asegurarse diariamente de que todas las funciones de este producto funcionen correctamente. Durante el uso, el operador del vehículo debe garantizar que los componentes de este (es decir, maleteros o puertas de compartimientos abiertas), personas, vehículos u otras obstrucciones no bloqueen la proyección de la señal de advertencia.
7. El uso de este o cualquier otro dispositivo de advertencia no garantiza que todos los conductores puedan observar o reaccionar ante una señal de advertencia de emergencia ni que lo hagan. Nunca tome el derecho de paso por sentado. Es responsabilidad del operador del vehículo asegurarse de que pueda continuar de forma segura antes de entrar en una intersección, conducir contra el tráfico, responder a una alta velocidad, o caminar sobre los carriles de tráfico o cerca de estos.
8. Este equipo está diseñado para que solamente el personal autorizado pueda utilizarlo. El usuario es responsable de entender y obedecer todas las leyes relacionadas con los dispositivos de advertencia en emergencias. Por lo tanto, el usuario debe comprobar todas las leyes y regulaciones de la ciudad, el estado y el país. El fabricante no asume ninguna responsabilidad por cualquier pérdida ocasionada por el uso de este dispositivo de advertencia.

### Especificaciones:

Peso:	5.2lbs
Voltaje de entrada:	De 12 a 24 V CC
Corriente de entrada:	6,8 A máx.
Potencia de salida:	87,0 W máx.
Requisitos de fusión:	10 A
Conectividad Matrix®:	CAT5
Temperatura de funcionamiento:	de -40 °C a 65 °C (entre -40 °F y 149 °F)

## Desembalaje y preinstalación:

Retire el producto con cuidado y colóquelo sobre una superficie plana. Examine la unidad en busca de daños que se hayan producido en el transporte y localice todas las piezas. Si encuentra algún daño, o faltan piezas, comuníquese con la empresa de transporte o Code 3. No utilice piezas dañadas o rotas.

Asegúrese de que el voltaje del producto sea compatible con la instalación planificada.

## Instalación y montaje:

Los kits de montaje de Thin Wingman específicos para un vehículo se encuentran disponibles en nuestro sitio web. Para obtener información sobre cómo montar Thin Wingman con kits específicos para un vehículo, consulte las instrucciones de instalación que se proporcionan con dichos kits.

También se dispone de un soporte de montaje universal (n.º de pieza: TWMTG-UNIV). Consulte las instrucciones de instalación a continuación.

El kit universal incluye (2) soportes de montaje universales de 90 grados. Estos soportes se pueden atornillar al panel exterior de Thin WingMan y modificar según sea necesario para montar la unidad. Thin Wingman debe montarse en la lámina metálica del vehículo para evitar lesiones a los pasajeros en caso de una colisión. Es responsabilidad de las personas que realizan la instalación asegurarse de que el producto se monte de forma segura. Asegúrese de contar con el soporte adecuado entre la lámina metálica y la fibra o estructura del área de bandeja del paquete, ya que en muchos casos hay un espacio de aire importante entre ellos. En algunos casos, deberá fabricar soportes para adaptar el dispositivo Thin Wingman a su vehículo.

**Precaución Cuando instale la unidad, no la empuje demasiado contra la ventana trasera. La unidad solo debe tocar el vidrio lo suficiente como para plegar la brida de la junta hacia atrás y bloquear la mayor cantidad de destellos de contraluz posible. Si la unidad está instalada demasiado apretada contra el vidrio, puede romperlo.**

## Instrucciones de cableado:

**¡IMPORTANTE!** Esta unidad es un dispositivo de seguridad y se debe conectar a su propia fuente de poder de fusibles separada para asegurar su funcionamiento continuo si cualquier otro accesorio eléctrico falla. No cablee en paralelo con ningún otro accesorio.

### Notas:

- Los cables más grandes y las conexiones fijas ofrecen una mayor vida útil para los componentes. Para los cables de corriente intensa, se recomienda encarecidamente que los bloques terminales o las conexiones soldadas se utilicen con un tubo retráctil para proteger las conexiones. No utilice conectores con desplazamiento de aislamiento (por ejemplo, conectores de tipo Scotchlock 3M).
- Pase el cableado con la ayuda de los pasacables y un sellador cuando los pase a través de las paredes del compartimento. Minimice el número de empalmes para reducir la caída de voltaje. Las altas temperaturas ambientales (por ejemplo, bajo el capó) reducirán significativamente la capacidad conductora de corriente de los cables, fusibles y disyuntores. Todo el cableado se debe ajustar al tamaño mínimo de cables y otras recomendaciones del fabricante, además de estar protegidos de las piezas móviles y superficies calientes. Los telares, los pasacables, las bridas para cables y el hardware de instalación similar se deben utilizar para fijar y proteger todo el cableado.
- Los fusibles o disyuntores se deben ubicar lo más cerca posible de los puntos de toma de potencia y deben ser del tamaño adecuado para proteger el cableado y los dispositivos.
- Se debe prestar especial atención a la ubicación y el método para realizar conexiones y empalmes eléctricos para proteger estos puntos de la corrosión y de la pérdida de conductividad.
- La terminación de conexión a tierra solo se debe realizar a los componentes importantes del chasis, de preferencia, directamente a la batería del vehículo.
- Los disyuntores son muy sensibles a las altas temperaturas y producirán "falsas activaciones" si se montan en ambientes cálidos o si se hacen funcionar al límite de su capacidad.

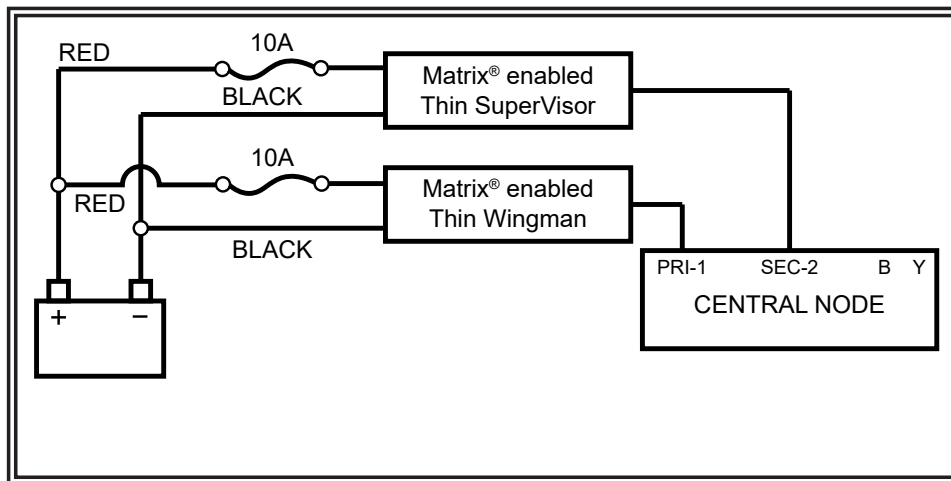


### Precaución:

**Desconecte la batería antes de conectar el producto para evitar cortocircuitos, arcos con alta corriente o descargas eléctricas accidentales.**

Conecte los cables rojo (alimentación) y negro (tierra) de Thin WingMan compatible con Matrix® a una alimentación nominal de 12 a 24 V CC, junto con un fusible tipo ATC de 10 A de acción lenta suministrado por el cliente. **Tenga en cuenta que el portafusibles seleccionado por el cliente también debe estar clasificado por su fabricante para cumplir o superar la correspondiente corriente máxima del fusible.** Consulte la Figura 1 para obtener más detalles.

Thin WingMan compatible con Matrix® también debe conectarse a un nodo central, como la caja de interfaz serial o la sirena serie Z3, para establecer una comunicación en serie con la red mayor. Tenga en cuenta que para las conexiones CAT5, el puerto PRI-1 siempre debe utilizarse primero, antes de que se puedan conectar dispositivos adicionales al puerto SEC-2. Consulte la Figura 1 para obtener más detalles.



**Figura 1**

La red Matrix® está diseñada para alojar un gran número de dispositivos accesorios. Sin embargo, un Thin WingMan compatible con Matrix® que utilice CAT5 siempre será el último dispositivo en la cadena PRI-1 o SEC-2. En el manual de instalación del "nodo central" seleccionado por el cliente se proporcionan instrucciones, así como información sobre sus funciones y opciones de control adicionales.

La siguiente tabla indica los patrones de destello predeterminados de Thin Wingman compatible con Matrix®. Estos patrones se activan mediante otros productos compatibles con Matrix®, conectados a Thin WingMan compatible con Matrix®. Estos se pueden reconfigurar fácilmente según se desee en Matrix® Configurator. Consulte el Manual de inicio rápido de la configuración de Matrix® para obtener más información.

Patrones de destello predeterminados	
Predeterminado	Descripción
Atenuación	30 %
Crucero	Atenuación, principal estable
Nivel 3	Principal con chispa secundaria triple destello 150
Nivel 2	Principal doble destello 115
Nivel 1	Principal con barrido suave
Freno	Rojo fijo
Corte trasero	
Flecha izquierda	Terciario izquierdo con aumento rápido
Flecha derecha	Terciario derecho con aumento rápido
Del centro hacia afuera	Terciario central externo con aumento rápido
Destello de flecha	Terciario de destello rápido simultáneo

Tabla de cumplimiento del patrón de destello para Thin WingMan con Matrix									
N.º	Descripción	FPM	SAE J595				TÍTULO CA 13		
			Rojo	Azul	Ámbar	Blanco	Rojo	Azul	Ámbar
1	Doble	75	Pendiente	Pendiente	Pendiente	Pendiente	Pendiente	Pendiente	Pendiente
2	Triple	75	Pendiente	Pendiente	Pendiente	Pendiente	Pendiente	Pendiente	Pendiente
3	Cuádruple	75	Pendiente	Pendiente	Pendiente	Pendiente	Pendiente	Pendiente	Pendiente
4	Quíntuple	75	Pendiente	Pendiente	Pendiente	Pendiente	Pendiente	Pendiente	Pendiente
5	Doble	150	Pendiente	Pendiente	Pendiente	Pendiente	-	-	-
6	Triple	150	Pendiente	Pendiente	Pendiente	Pendiente	-	-	-
7	Cuádruple	150	Pendiente	Pendiente	Pendiente	Pendiente	-	-	-
8	Quíntuple	150	Pendiente	Pendiente	Pendiente	Pendiente	-	-	-
9	Chispa triple	150	Pendiente	Pendiente	Pendiente	Pendiente	Pendiente	Pendiente	Pendiente
10	Chispa cuádruple	150	Pendiente	Pendiente	Pendiente	Pendiente	Pendiente	Pendiente	Pendiente
11	Simple	375	Pendiente	Pendiente	Pendiente	Pendiente	-	-	-
12	Título 13 Doble	75	Pendiente	Pendiente	Pendiente	Pendiente	Pendiente	Pendiente	Pendiente
13	Título 13 Doble	115	Pendiente	Pendiente	Pendiente	Pendiente	Pendiente	Pendiente	Pendiente

## Piezas de repuesto:

Descripción	N.º de pieza
<b>Juntas</b>	
Reemplace la junta de Thin WingMan	CZ4103

## Solución de problemas:

Todas las barras de luces se prueban a fondo antes de su envío. Sin embargo, si se produce un problema durante la instalación o durante la vida útil del producto, siga la guía que aparece a continuación para obtener información sobre la solución de problemas y la reparación. Si el problema no se puede solucionar con las soluciones que se indican a continuación, puede obtener información adicional del fabricante; los datos de contacto se encuentran al final de este documento.

Problema	Posibles causas	Comentarios o respuesta
No hay alimentación de corriente	Cableado defectuoso	Asegúrese de que las conexiones de alimentación y tierra al producto estén fijadas. Retire y vuelva a conectar el cable de alimentación rojo a la batería del vehículo.
	Voltaje de entrada	El producto está equipado con un circuito de bloqueo de sobrevoltaje. Durante un evento de sobrevoltaje sostenido, el controlador interno mantendrá la comunicación con el resto de la red Matrix®, pero desactivará la salida de alimentación a los módulos de luz. Busque el LED V_FAULT rojo fijo. Asegúrese de que el voltaje de entrada no exceda el rango especificado para su modelo en particular. Cuando se produce sobrevoltaje, la entrada debe bajar aproximadamente 1 V por debajo del límite máximo de forma temporal para reanudar el funcionamiento normal.
	Fusible fundido	Es posible que el producto haya fundido un fusible anterior en el circuito. Revise y sustituya el fusible si es necesario.
Sin comunicación	Entrada de encendido	Primero se necesita una entrada de cable de encendido para que el nodo central salga de un estado de reposo. Desde ese punto, el nodo central controla el estado de todos los demás dispositivos compatibles con Matrix®, incluido Thin WingMan. Si el dispositivo está activo, debería ver un LED de ESTADO verde parpadeante en el interior del controlador. Consulte el manual de instalación del nodo central seleccionado por el cliente para obtener más información sobre la solución de problemas de la entrada de encendido.
	Conectividad	Asegúrese de que el cable CAT5 está conectado correctamente a un nodo central. Asegúrese de que cualquier otro cable que conecte dispositivos accesorios compatibles con Matrix® en una cadena margarita CAT5 esté completamente encajado con un bloqueo positivo. Recuerde que primero debe utilizarse el conector PRI-1 del nodo central, antes de poder utilizar el conector SEC-2.
Módulo de luces defectuoso	Sin respuesta	Verifique que la conexión del mazo de cables esté bien fijada en la parte trasera de cada módulo.
	Cortocircuito	Si se produce un cortocircuito en algún módulo de luces y el usuario intenta activar un patrón de destello, el patrón no funcionará. En su lugar, el controlador del interior de Thin WingMan mostrará un I_FAULT LED rojo fijo.

**Notas:**

**Notas:**

## Garantía:

### Política de garantía limitada del fabricante:

El fabricante garantiza que, en la fecha de compra, este producto se ajustará a las especificaciones del fabricante para este producto (disponible de parte del fabricante a petición). Esta garantía limitada se extiende por sesenta (60) meses desde la fecha de compra.

LOS DAÑOS A LAS PIEZAS O LOS PRODUCTOS DEBIDO A MANIPULACIÓN, ACCIDENTE, ABUSO, MAL USO, NEGLIGENCIA, MODIFICACIONES NO APROBADAS, FUEGO U OTRO PELIGRO, INSTALACIÓN U OPERACIÓN INCORRECTAS, O NO REALIZAR EL MANTENIMIENTO SEGÚN LOS PROCEDIMIENTOS DE MANTENIMIENTO INDICADOS EN LAS INSTRUCCIONES DE INSTALACIÓN Y OPERACIÓN DEL FABRICANTE ANULARÁN ESTA GARANTÍA LIMITADA.

### Exclusión de otras garantías:

EL FABRICANTE NO REALIZA OTRAS GARANTÍAS, ESCRITAS O IMPLÍCITAS. LAS GARANTÍAS IMPLÍCITAS PARA LA COMERCIALIZACIÓN, CALIDAD O ADECUACIÓN CON UN PROPÓSITO ESPECÍFICO O QUE SURJAN DEL CURSO DE NEGOCIACIONES, USO O PRÁCTICA COMERCIAL QUEDAN, POR LA PRESENTE, EXCLUIDAS Y NO SE APLICARÁN AL PRODUCTO, SALVO EN LA MEDIDA EN QUE ESTÉ PROHIBIDO POR LA LEY VIGENTE. LAS DECLARACIONES O DESCRIPCIONES ORALES SOBRE EL PRODUCTO NO CORRESPONDEN A GARANTÍAS.

### Soluciones y limitación de responsabilidad:

LA RESPONSABILIDAD EXCLUSIVA DEL FABRICANTE Y EXCLUSIVO RECURSO DEL COMPRADOR EN EL CONTRATO, AGRAVIO (INCLUIDAS NEGLIGENCIAS) O CUALQUIER OTRA TEORÍA CONTRA EL FABRICANTE SOBRE EL PRODUCTO Y SU USO SERÁ, BAJO EL CRITERIO DEL FABRICANTE, EL REEMPLAZO O LA REPARACIÓN DEL PRODUCTO, O EL REEMBOLSO DEL PRECIO DE LA COMPRA PAGADO POR EL COMPRADOR POR EL PRODUCTO QUE NO CUMPLA CON LOS REQUISITOS. EN NINGÚN CASO LA RESPONSABILIDAD DEL FABRICANTE QUE SURGE DE ESTA GARANTÍA LIMITADA O DE OTRA DECLARACIÓN RELACIONADA CON LOS PRODUCTOS DEL FABRICANTE EXCEDE LA CANTIDAD PAGADA POR EL COMPRADOR POR EL PRODUCTO EN LA COMPRA ORIGINAL. EN NINGÚN CASO EL FABRICANTE SERÁ RESPONSABLE DE LA PÉRDIDA DE GANANCIAS, EL COSTO DEL EQUIPO DE REEMPLAZO O EL TRABAJO, DAÑO A LA PROPIEDAD U OTROS DAÑOS ESPECIALES, DERIVADOS O INCIDENTALES BASADOS EN CUALQUIER RECLAMACIÓN POR INCUMPLIMIENTO DE CONTRATO, INSTALACIÓN INADECUADA, NEGLIGENCIA U OTRA RECLAMACIÓN, INCLUSO SI AL FABRICANTE O EL REPRESENTANTE DE ESTE SE LE HA INFORMADO DE LA POSIBILIDAD DE DICHOS DAÑOS. EL FABRICANTE NO TENDRÁ MAYOR OBLIGACIÓN O RESPONSABILIDAD EN CUANTO AL PRODUCTO O SU VENTA, OPERACIÓN Y USO, Y EL FABRICANTE TAMPOCO ASUME NI AUTORIZA LA CONJETURA DE CUALQUIER OTRA OBLIGACIÓN O RESPONSABILIDAD RELACIONADA CON TAL PRODUCTO.

Esta garantía limitada define derechos legales específicos. Puede tener otros derechos legales que varían entre jurisdicciones. Algunas jurisdicciones no permiten la exclusión o limitación de daños derivados o incidentales.

### Devolución de productos:

Si se debe devolver un producto para su reparación o reemplazo\*, comuníquese con nuestra fábrica para obtener un Número de autorización de devolución de mercancías (número RGA) antes de enviar el producto a Code 3®, Inc. Escriba claramente el número RGA en el paquete cerca de la etiqueta de envío. Asegúrese de utilizar suficientes materiales de embalaje para evitar que se dañe el producto durante el envío.

\* Code 3®, Inc. se reserva el derecho a realizar reparaciones o reemplazar productos según su criterio. Code 3®, Inc. no asume responsabilidad alguna por los gastos efectuados para remover o reinstalar los productos que requieren servicios o reparaciones, por el embalaje, la manipulación y el envío ni por la manipulación de los productos devueltos al remitente después de que se haya prestado el servicio.



10986 North Warson Road

St. Louis, MO 63114

**Servicio Técnico**

(314) 996-2800

c3\_tech\_support@code3esg.com

**CODE3ESG.com**

An ECCO SAFETY GROUP™ Brand  
www.eccosafetygroup.com