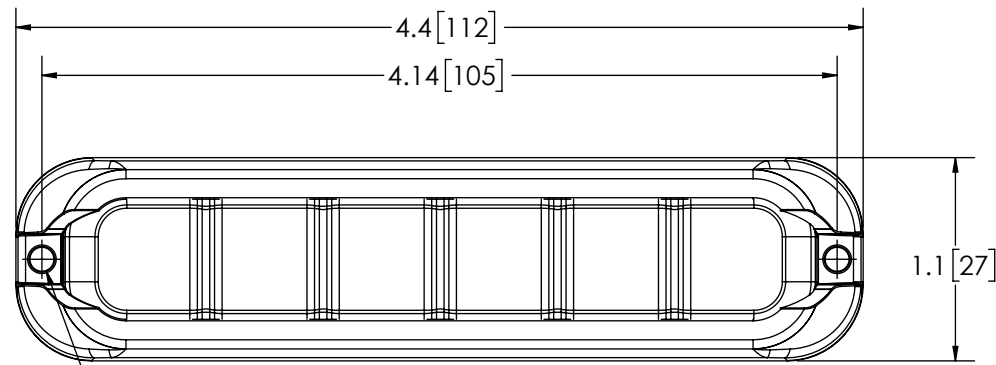
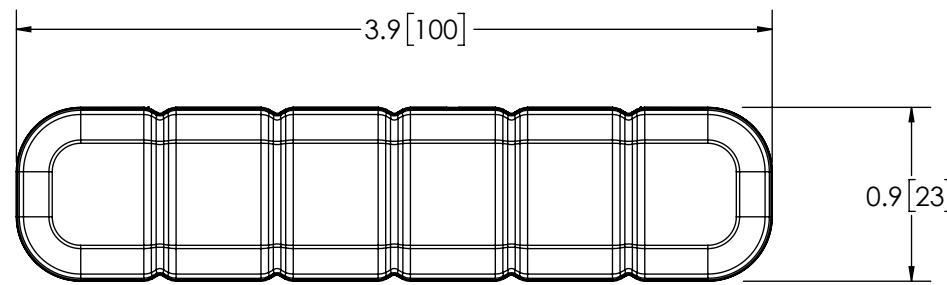


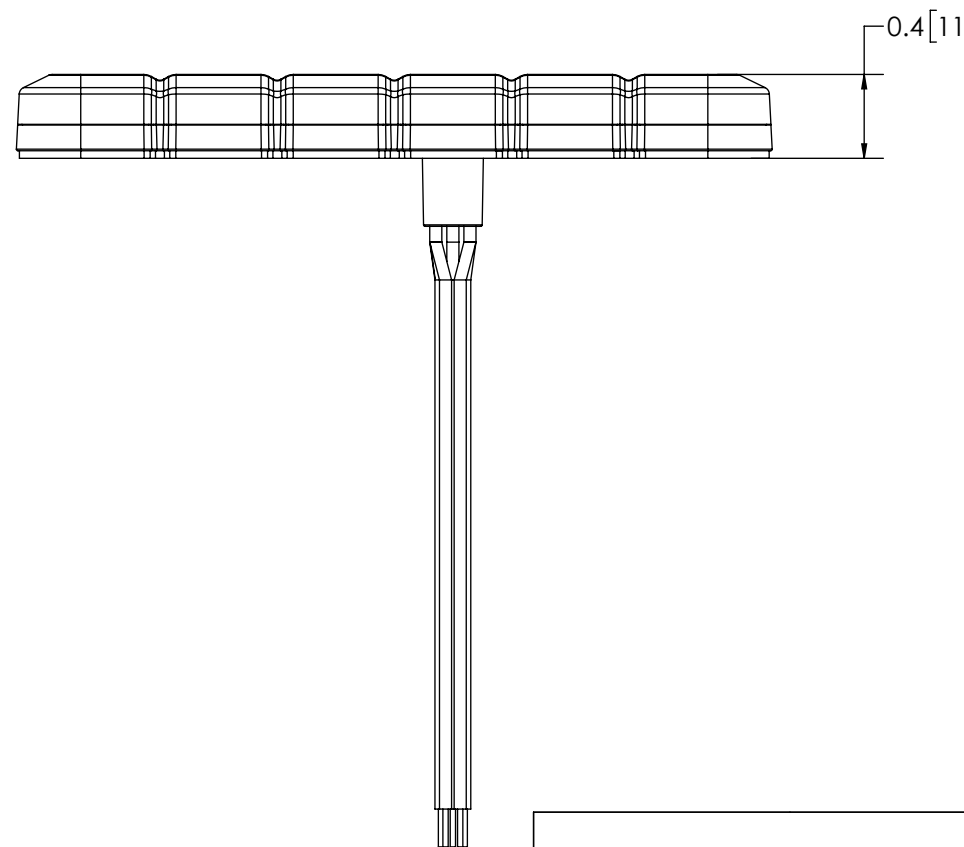
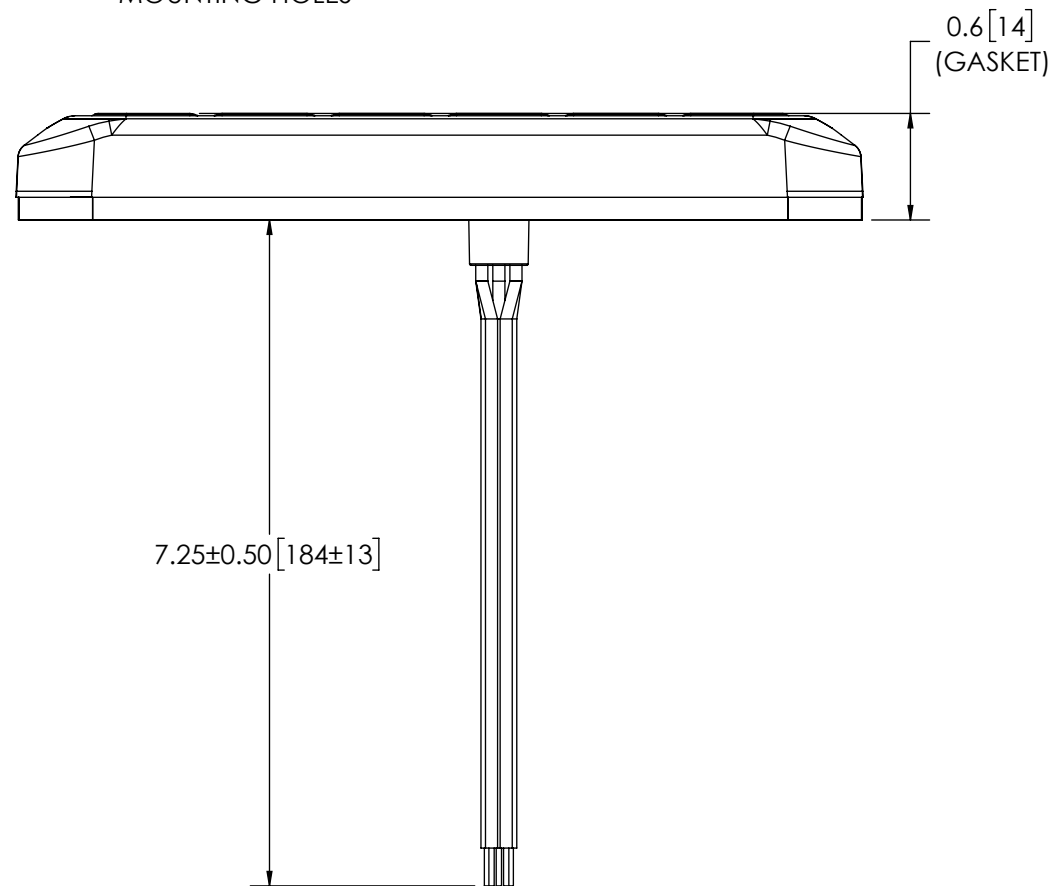
REVISION HISTORY		
REV.	DESCRIPTION	DATE
02	REVISED PER EP0157	2022-03-29
03	REVISED PER EP0157	2022-05-25
A	INITIAL RELEASE PER EP0157	2022-08-02



2X Ø0.12 [3]
MOUNTING HOLES



NO BEZEL



SPECIFICATIONS

- CERTIFICATIONS: **CE**; ECE R10; SAE J595 (AUG 2021) CLASS 1; RED, BLUE, YELLOW, WHITE; CA Title 13 (SEE CHART) ; IP69K / IP67
Note: Unique components, accessories, and hardware kits are not typically included in the Product Certification Test Protocols. Unless otherwise Specified, the Product Certifications referred to herein are predicated upon the base product model configuration.
- FLASH MODE: SINGLE : 75 ± 5 FLASHES PER MINUTE
SINGLE : 120 ± 5 FLASHES PER MINUTE
SINGLE : 375 ± 5 FLASHES PER MINUTE
- VOLTAGE (NOMINAL): 12-24 VDC
- VOLTAGE (EXTREME): 9-32 VDC
- CURRENT (PEAK): SEE CHART (@ 12 VDC NOMINAL)
- POWER (MAXIMUM): SEE CHART (@ 12 VDC NOMINAL)
- TEMPERATURE RANGE: -40°F (-40°C) TO 149°F (65°C)
- CONNECTION: 6-22 AWG WIRES
- MOUNTING: ADHESIVE OR SCREW MOUNT
- BASE MATERIAL: SILICONE
- LENS MATERIAL: SILICONE
- PRODUCT WEIGHT: 0.10 LBS (0.05 Kg)

FGS. PRODUCT CHART				
FGS. NO.	COLOR	CURRENT (PEAK) A	POWER (MAX) W	TITLE 13
CD3794RBA	RED/BLU/AMB	0.57	7.3	CLASS B; RED,BLU,AMB
CD3794RBW	RED/BLU/WHT	0.58	7.4	CLASS B; RED,BLU
CD3794RAW	RED/AMB/WHT	0.58	7.4	CLASS B; RED,AMB
CD3794BAW	BLUE/AMB/WHT	0.58	7.4	CLASS B; BLU,AMB

DISCLAIMER
DIMENSIONS, ILLUSTRATIONS, SPECIFICATIONS, AND CERTIFICATIONS CONTAINED IN THIS DOCUMENT ARE TYPICAL OF THE ACTUAL PRODUCT AND ARE SUBJECT TO CHANGE. ECCO ENGINEERING DOES NOT MAINTAIN FORMAL DESIGN CONTROL OF THIS PRODUCT.

MOUNTING DISCLAIMER
MOUNTING MEASUREMENT IS FOR REFERENCE ONLY. MEASURE BEFORE DRILLING.

- NOTES:
- ROHS COMPLIANT
 - DIMENSIONS IN INCHES[MILLIMETERS (FOR REFERENCE)]

PROPRIETARY AND CONFIDENTIAL INFORMATION
THIS DRAWING AND THE DESIGN AND OTHER INFORMATION DISCLOSED HEREIN ARE THE PROPERTY OF ELECTRONIC CONTROLS COMPANY AND/OR ITS ECCO SAFETY GROUP AFFILIATES ("ECCO") AND IS ISSUED IN CONFIDENCE TO RECIPIENT FOR ENGINEERING INFORMATION PURPOSES ONLY. THIS DRAWING AND THE DESIGN AND OTHER INFORMATION DISCLOSED HEREIN MAY NOT BE USED, COPIED, REPRODUCED OR OTHERWISE DISCLOSED IN PART OR IN WHOLE TO THIRD PARTIES OR USED FOR ANY OTHER PURPOSE WITHOUT PRIOR ECCO WRITTEN CONSENT. ECCO RESERVES ALL PATENT, COPYRIGHT, TRADEMARK AND OTHER PROPRIETARY RIGHTS TO THIS DOCUMENT, INCLUDING ALL DESIGN, MANUFACTURING, REPRODUCTION, USE AND SALES RIGHTS THEREIN. THIS DRAWING IS SUBJECT TO RECALL BY ECCO AT ANY TIME, AND YOUR POSSESSION AND/OR USE CONSTITUTES ACCEPTANCE OF THESE TERMS. ©2022 ELECTRONIC CONTROLS COMPANY

SCALE 1:1	APPROVALS	DATE	ECCO ® www.eccolink.com Americas (800) 635-5900 Europe +44 (0)113 237 5340 Asia Pacific +61 (0)3 63322444											
CAD GENERATED DRAWING DO NOT MANUALLY UPDATE.	DRAWN BY ABD	2022-05-25												
TOLERANCES ARE IN INCHES, AND MILLIMETERS TOLERANCES UNLESS OTHERWISE STATED ARE:	CHECKED BTK	2022-05-25												
<table border="1"> <tr> <th>MILLIMETERS DECIMALS</th> <th>INCHES DECIMALS</th> <th>ANGLES</th> </tr> <tr> <td>XX ± 1.0mm</td> <td>X.X ± 0.1</td> <td>± 0.5°</td> </tr> <tr> <td>XX.X ± 0.5mm</td> <td>X.XX ± 0.04</td> <td>FRACTIONS ± 1/64</td> </tr> <tr> <td></td> <td>X.XXX ± 0.02</td> <td></td> </tr> </table>	MILLIMETERS DECIMALS	INCHES DECIMALS		ANGLES	XX ± 1.0mm	X.X ± 0.1	± 0.5°	XX.X ± 0.5mm	X.XX ± 0.04	FRACTIONS ± 1/64		X.XXX ± 0.02		MECH. ENG. JLA
MILLIMETERS DECIMALS	INCHES DECIMALS	ANGLES												
XX ± 1.0mm	X.X ± 0.1	± 0.5°												
XX.X ± 0.5mm	X.XX ± 0.04	FRACTIONS ± 1/64												
	X.XXX ± 0.02													
	ELEC. ENG.		DIR, 18LED, SM, FLEXIBLE, DC, 12-24V CUSTOMER PART NO. SEE CHART											
	TEST ENG. BAK	2022-07-26	SIZE: B DWG. NO. CD3794XXX REV. A Project: EP0157 Date Created: 2022-03-18											
	SALES		Electronically Controlled Use Latest Copy SHEET 1 OF 1											