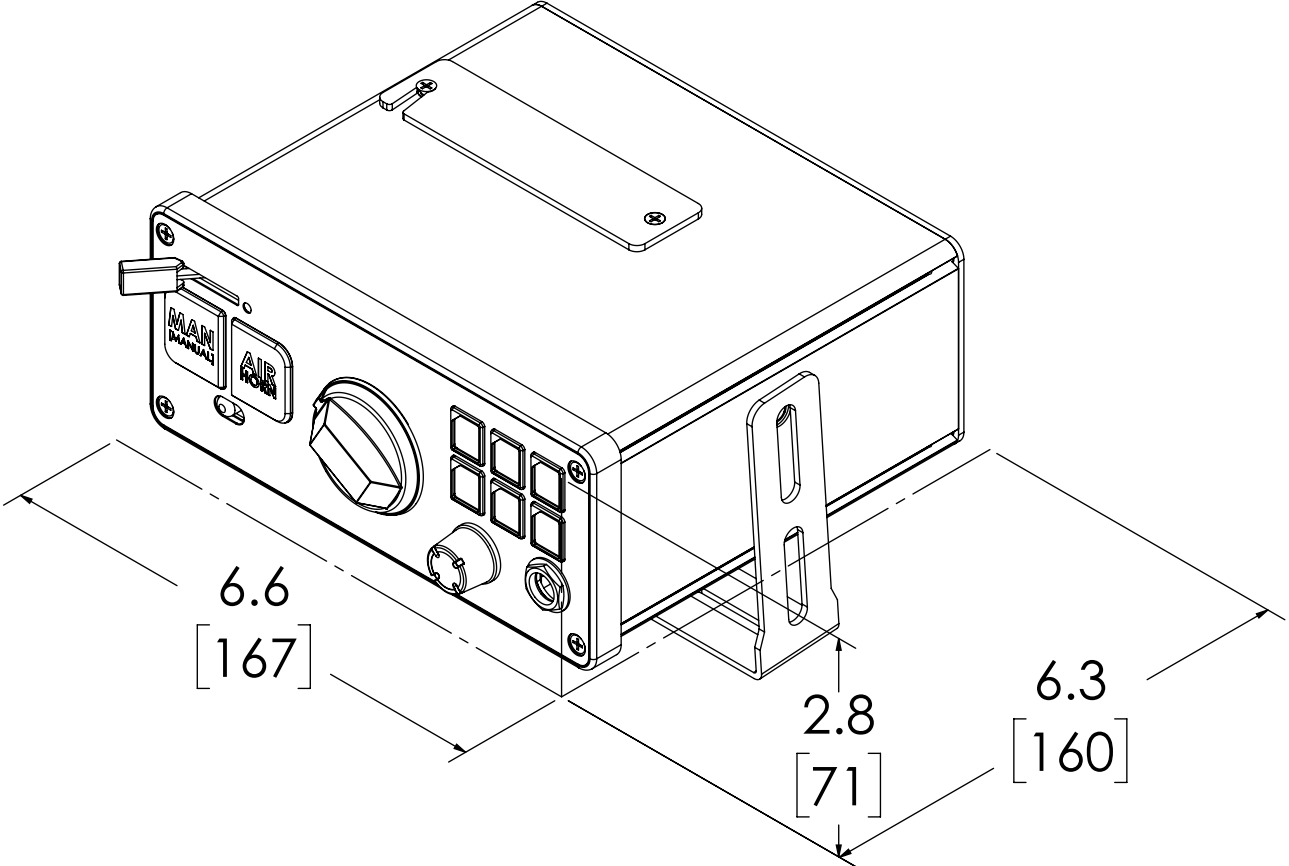


REVISION HISTORY		
REV.	DESCRIPTION	DATE
A	INITIAL RELEASE	2016-05-25



SCALE 1:2	APPROVALS	DATE															
CAD GENERATED DRAWING FROM SOLID MODEL; REV. DO NOT MANUALLY UPDATE. TOLERANCES ARE IN INCHES, AND MILLIMETERS TOLERANCES UNLESS OTHERWISE STATED ARE:	DRAWN BY																
	CHECKED																
	MARKETING																
<table border="1"> <thead> <tr> <th>MILLIMETERS/DECIMALS</th> <th>INCHES/DECIMALS</th> <th>ANGLES</th> </tr> </thead> <tbody> <tr> <td>0-20 ± 0.5</td> <td>0 ± 0.1</td> <td>± 0.5°</td> </tr> <tr> <td>>20-100 ± 0.7</td> <td>0.1-0.2 ± 0.01</td> <td></td> </tr> <tr> <td>>100-200 ± 1.0</td> <td>0.2-0.5 ± 0.005</td> <td></td> </tr> <tr> <td>>200 ± 2.0</td> <td>0.5-1.0 ± 0.0030</td> <td>± 1/64</td> </tr> </tbody> </table>	MILLIMETERS/DECIMALS	INCHES/DECIMALS	ANGLES	0-20 ± 0.5	0 ± 0.1	± 0.5°	>20-100 ± 0.7	0.1-0.2 ± 0.01		>100-200 ± 1.0	0.2-0.5 ± 0.005		>200 ± 2.0	0.5-1.0 ± 0.0030	± 1/64		
MILLIMETERS/DECIMALS	INCHES/DECIMALS	ANGLES															
0-20 ± 0.5	0 ± 0.1	± 0.5°															
>20-100 ± 0.7	0.1-0.2 ± 0.01																
>100-200 ± 1.0	0.2-0.5 ± 0.005																
>200 ± 2.0	0.5-1.0 ± 0.0030	± 1/64															
THIRD ANGLE PROJECTION																	

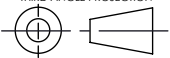
United States
1-800-635-5900
Americas@eccogroup.com

United Kingdom
+44 (0)113 237 5340
Europe@eccogroup.com

Australia
+61 (0)3 63322444
AsiaPacific@eccogroup.com

XCEL Siren, 12V

NON DISCLOSURE AGREEMENT
 THIS DRAWING AND THE DESIGN IT DISCLOSES ARE THE PRIVATE PROPERTY OF ESG AND IS ISSUED IN CONFIDENCE FOR ENGINEERING INFORMATION ONLY. THE DRAWING AND / OR DESIGN MAY NOT BE USED, COPIED, REPRODUCED, OR OTHERWISE DISCLOSED IN PART OR AS A WHOLE TO OUTSIDERS OR USED FOR ANY OTHER PURPOSE WITHOUT THE PRIOR WRITTEN CONSENT OF ESG. THE DRAWING IS SUBJECT TO RECALL AT ANY TIME. YOUR POSSESSION OF THIS DOCUMENT CONSTITUTES ACCEPTANCE OF THESE TERMS. © 2015 ECCO SAFETY GROUP



SIZE: A	DWG. NO. 101-3492	REV. A
SHEET 1 OF 1		Project: _____ Date Created: _____

Electronically Controlled Use Latest Copy