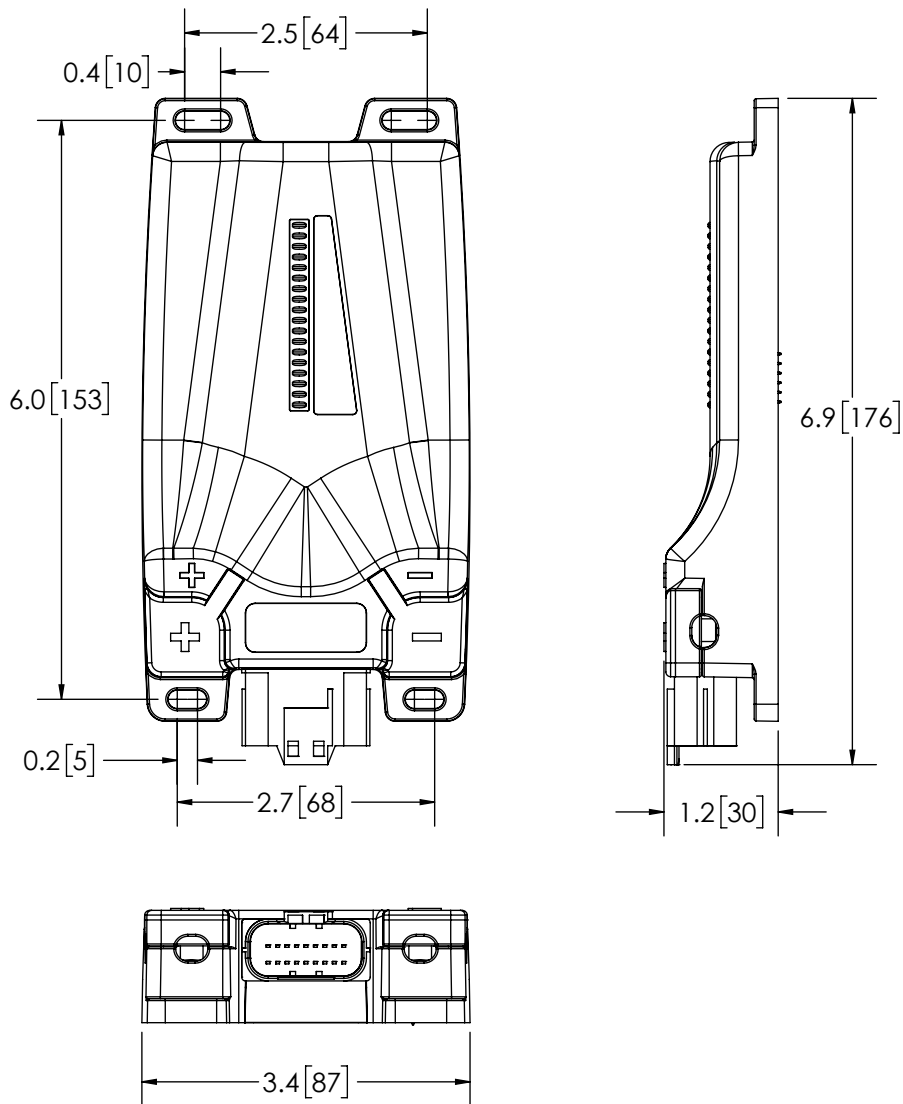


REVISION HISTORY		
REV.	DESCRIPTION	DATE
01	PRELIMINARY RELEASE PER EP0108	2020-01-27
02	REVISED PER EP0108	2020-01-30
A	INITIAL RELEASE PER EP0108	2020-02-04




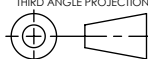
SPECIFICATIONS

- VOLTAGE (NOMINAL): 12 VDC
- CURRENT (NOMINAL): 5A Max; 2.5A RMS each channel
60A Max; 40A RMS total @ 65C
40A Max; 20A RMS total @ 85C
- OPERATING TEMPERATURE: -40°F (-40°C) to 185°F (85°C)
- DATA CONNECTION: TWO WIRE CAN
- POWER CONNECTION: TWO M6 STUDS
- OUTPUT CONNECTION: 18 PIN HARNESS
- HOUSING MATERIAL: GLASS FILLED NYLON
- POTTING MATERIAL: URETHANE
- PRODUCT WEIGHT: 0.84 LBS

NOTES:
1. DIMENSIONS IN INCHES[MILLIMETERS (FOR REFERENCE)]

PROPRIETARY AND CONFIDENTIAL INFORMATION

THIS DRAWING AND THE DESIGN AND OTHER INFORMATION DISCLOSED HEREIN ARE THE PROPERTY OF ELECTRONIC CONTROLS COMPANY AND/OR ITS ECCO SAFETY GROUP AFFILIATES ("CODES") AND IS ISSUED IN CONFIDENCE TO RECIPIENT FOR ENGINEERING INFORMATION PURPOSES ONLY. THIS DRAWING AND THE DESIGN AND OTHER INFORMATION DISCLOSED HEREIN MAY NOT BE USED, COPIED, REPRODUCED OR OTHERWISE DISCLOSED IN PART OR IN WHOLE TO THIRD PARTIES OR USED FOR ANY OTHER PURPOSE WITHOUT PRIOR CODES WRITTEN CONSENT. CODES RESERVES ALL PATENT, COPYRIGHT, TRADEMARK AND OTHER PROPRIETARY RIGHTS TO THIS DOCUMENT, INCLUDING ALL DESIGN, MANUFACTURING, REPRODUCTION, USE AND SALES RIGHTS THERETO. THIS DRAWING IS SUBJECT TO RECALL BY CODES AT ANY TIME, AND YOUR POSSESSION AND/OR USE CONSTITUTES ACCEPTANCE OF THESE TERMS. ©2020 ELECTRONIC CONTROLS COMPANY

SCALE 1:2		APPROVALS	DATE	 www.code3esg.com Americas (314) 426-2700 Europe +44 (0)113 239 1111 Asia Pacific +61 (0)7 32937900															
CAD GENERATED DRAWING DO NOT MANUALLY UPDATE. MODEL REFERENCED:02		DRAWN BY ART	2020-01-30																
TOLERANCES ARE IN INCHES, AND MILLIMETERS TOLERANCES UNLESS OTHERWISE STATED ARE:		CHECKED BTK	2020-01-31																
<table border="1"> <thead> <tr> <th>MILLIMETERS DECIMALS</th> <th>INCHES DECIMALS</th> <th>ANGLES</th> <th>FRACTIONS</th> </tr> </thead> <tbody> <tr> <td>XX ± 1.0mm</td> <td>X.X ± 0.1</td> <td>± 0.5°</td> <td></td> </tr> <tr> <td>XX.X ± 0.5mm</td> <td>X.XX ± 0.04</td> <td></td> <td>± 1/64</td> </tr> <tr> <td></td> <td>X.XXX ± 0.02</td> <td></td> <td></td> </tr> </tbody> </table>		MILLIMETERS DECIMALS	INCHES DECIMALS		ANGLES	FRACTIONS	XX ± 1.0mm	X.X ± 0.1	± 0.5°		XX.X ± 0.5mm	X.XX ± 0.04		± 1/64		X.XXX ± 0.02			MECH. ENG. NMT
MILLIMETERS DECIMALS	INCHES DECIMALS	ANGLES	FRACTIONS																
XX ± 1.0mm	X.X ± 0.1	± 0.5°																	
XX.X ± 0.5mm	X.XX ± 0.04		± 1/64																
	X.XXX ± 0.02																		
		ELEC. ENG. GCJ	2020-01-31																
		TEST ENG. BAK	2020-01-31																
		SALES. BS	2020-01-31																
CUSTOMER PART NO. N/A		SIZE: A	DWG. NO. SWITCHNODE	REV. A															
Electronically Controlled Use Latest Copy		SHEET 1 OF 1	Project: EP0108	Date Created: 2020-01-27															