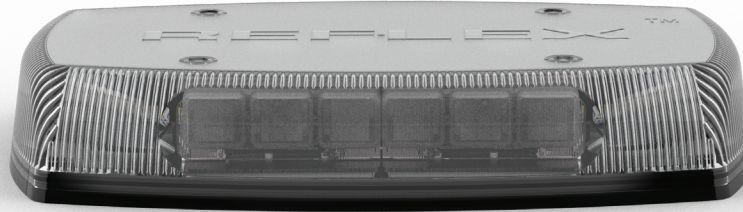
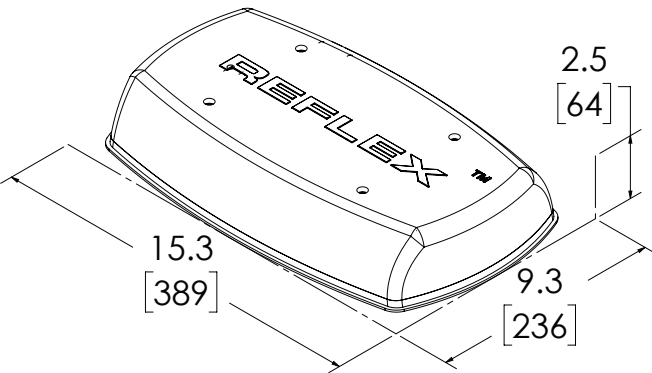


C5590 SERIES REFLEX® 15" LED MINIBAR

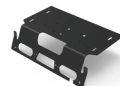


The Reflex® Series LED minibar features an innovative design that features advanced reflector and refractive optics to provide 360° of exceptional warning light. The refractive optics produce a highly intense, focused beam to the front and rear of the vehicle while the reflector lighthoods ensure a wide range of coverage by producing a dispersed, wide-angle beam to the sides and corners. Permanent-mount models include a sync capability.



VOLTS AMPS	12-48V 6.6A
DIMS	2.5" H X 15.3" L x 9.3" D 64mm H x 389mm L X 236mm D
FLASH PATTERNS	35 (single-color), 91 (dual-color)
CERTS	CLASS I (SAE J845), CA T13, CE, R10, IP69K
DETAILS	<ul style="list-style-type: none"> Four center lighthouse modules produce a highly intense, focused, and long distance beam to the front and rear of the vehicle Improved EMC emissions Cigarette plug with on/off and flash pattern selection switch (vacuum-magnet only) Polycarbonate lens Temperature Range: -22°F to +122°F (-30°C to +50°C)
ADD	Add "-VM" mounting extension to end of model for vacuum-magnet mount Add "-MG" mounting extension to end of model for magnet mount
REPLACE	"_" with A = Amber, B = Blue, R = Red

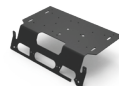
MODEL	MOUNT	TYPE	LENS	ILLUMINATION COLORS
C5590AA	4 Bolt or VM	Single	A	A
C5590C_	4 Bolt or VM	Single	C	A
C5590CRB	4 Bolt or VM	Dual	C	RB



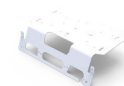
EZ1000B-FH
3rd Brake Light Platform
For F150, F250, F350 - Halogen, Black



EZ1000W-FH
3rd Brake Light Platform
For F150, F250, F350 - Halogen, White



EZ1000B-FL
3rd Brake Light Platform
For F150, F250, F350 - LED, Black



EZ1000W-FL
3rd Brake Light Platform
For F150, F250, F350 - LED, White



CZ5500BKT
Mounting Bracket