

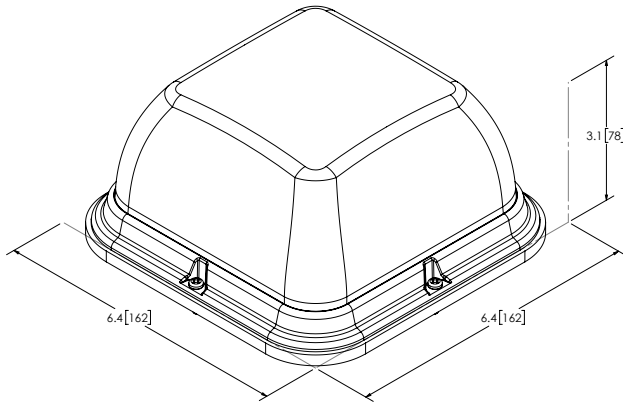
## SB48

ULTIMATE LEVEL OF LED POWER



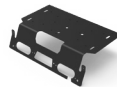
SB48R

The low-profile SB48 LED beacon delivers a powerful warning signal beyond 360° of coverage. Ideal for airport operations, the beacon includes an array of LEDs on top that deliver NFPA-compliant output to boost visibility in dynamic environments. Multiple mounting options are available and installation is a snap. Features include 18 flash patterns including a steady burn capability, cruise function, hi/low intensity modes, a tough polycarbonate lens and a rugged aluminum base.



VOLTS   AMPS	12-24V   6.14A
DIMS	3.1" H x 6.4" L x 6.4" D   78mm H x 162mm L x 162mm D
FLASH PATTERNS	15
CERTS	CLASS I (SAE J845), CA T13, NFPA, R10, IP67, RoHS
DETAILS	<ul style="list-style-type: none"> <li>▪Cruise function and hi/lo intensity</li> <li>▪Polycarbonate lens and aluminum base</li> <li>▪Top-side warning light</li> <li>▪Temperature Range: -22°F to +122°F (-30°C to +50°C)</li> </ul>
REPLACE	"_" with A = Amber, B = Blue, R = Red
ADD	"-VM" mounting extension to end of model for vacuum-magnet mount

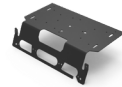
MODEL	MOUNT	TYPE	LENS	ILLUMINATION COLORS
SB48__	4 Bolt or VM	Single	A, B, R	A, B, R
SB48C_	4 Bolt or VM	Single	C	A, B, R



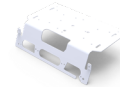
**EZ1000B-FH**  
3rd Brake Light Platform  
For F150, F250, F350 - Halogen, Black



**EZ1000W-FH**  
3rd Brake Light Platform  
For F150, F250, F350 - Halogen, White



**EZ1000B-FL**  
3rd Brake Light Platform  
For F150, F250, F350 - LED, Black



**EZ1000W-FL**  
3rd Brake Light Platform  
For F150, F250, F350 - LED, White