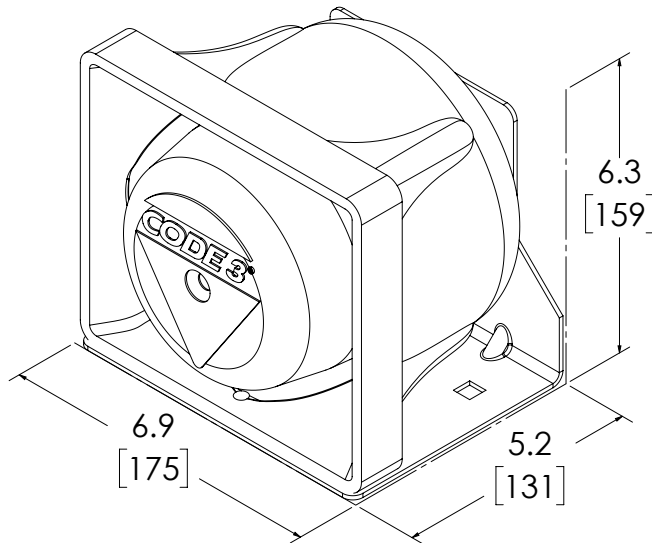


PB100 SERIES HEAVY-DUTY SIREN SPEAKER



PB100C

The highly efficient PB100 is lightweight, rugged and weather resistant to meet all Class A sound output requirements. The fire apparatus speaker of choice is easy to install, available in grille or flush mount and it delivers 100 watts of power.



VOLTS	12V
WATTS	100W
DIMS	6.3" H x 6.9" L x 5.2" D 159mm H x 175mm L x 131mm D
CERTS	J1849, CA T13, NFPA
DETAILS	▪ High output speaker with maximum sound volume for siren or public address system

MODEL	MOUNT	COLOR
PB100B	Grille Mount	Black
PB100C	Grille Mount	Chrome
FM100C	Flush Mount	Chrome