

LED X™ SERIES SURFACE MOUNT

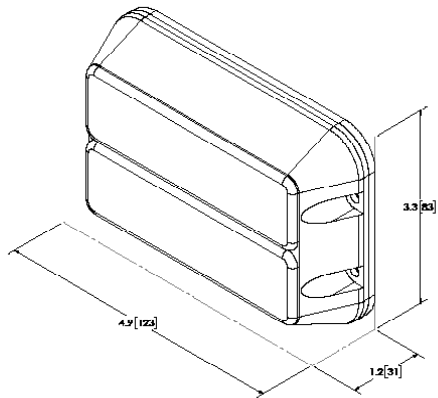
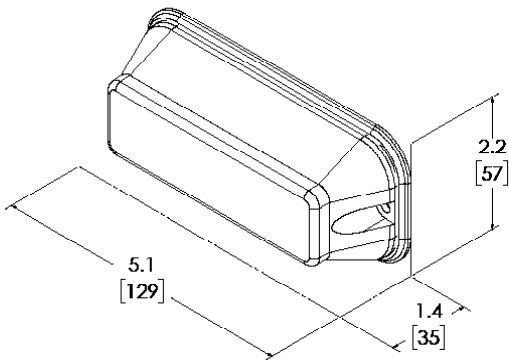


LXEX1F-BH



LXEXB2F-RRH

The economical LED X exterior light is available in a single or double stack housing. Both versions feature rustproof, die-cast aluminum housing, directional optics, a clear lens and mountable on vehicle surfaces. They are available in black or chrome bezels, produce seven flash patterns and components are sealed to resist the elements.



VOLTS AMPS	12V 0.8A Single, 1.6A Dual
DIMS	2.0" H x 4.8" L x 1.2" D 51mm H x 123mm L x 31mm D (Single) 3.3" H x 4.8" L x 1.2" D 83mm H x 123mm L x 31mm D (Double)
MOUNTING HOLE SPACING	4.5" 114mm
FLASH PATTERNS	7
CERTS	CLASS I (SAE J595), CA T13
DETAILS	<ul style="list-style-type: none"> • Sealed and waterproof • Rust-proof, die-cast aluminum housing • Rated 100,000 hour Life • Steady burn flash pattern

REPLACE " _ " with A = Amber, B = Blue, R = Red, W = White

MODEL	TYPE	ILLUMINATION COLORS
LXEX1F-__	Single Stack, Spot, Aluminum Bezel	A, B, R, W
LXEX1F-__H	Single Stack, Spot, Aluminum Housing	B, W
LXEXB1F-__	Single Stack, Spot, Black Bezel	A, B, R, W
LXEXB1F-__H	Single Stack, Spot, Black Housing	B, R, W
LXEX1FW-__	Single Stack, Flood, Aluminum Bezel	A, B, R
LXEX1FW-__H	Single Stack, Flood, Aluminum Housing	A, B, W
LXEX1S-R	Single Stack, Spot, Steady Burn, Aluminum Bezel	R
LXEXB1FW-__	Single Stack, Flood, Black Bezel	B, R
LXEXB1FW-__H	Single Stack, Flood, Black Housing	A, B, R
LXEX2F-__	Double Stack, Spot, Aluminum Bezel	AA, AB, AR, AW, BB, BR, BW, RR, WR, WW
LXEX2F-__H	Double Stack, Spot, Aluminum Housing	AA, AB, AR, AW, RR, RW, WW
LXEXB2F-__	Double Stack, Spot, Black Bezel	AA, AB, AR, AW, BB, BR, BW, RR, WR, WW
LXEXB2F-__H	Double Stack, Spot, Black Housing	AA, AB, AR, RR
LXEX2FW-__	Double Stack, Flood, Aluminum Bezel	AA, AR, RR
LXEX2FW-__H	Double Stack, Flood, Aluminum Housing	AA, AB, RR
LXEXB2FW-AA	Double Stack, Flood, Black Bezel	AA
LXEXB2FW-__H	Double Stack, Flood, Black Housing	AA, AB
LXEX2S-__	Double Stack, Steady Burn, Aluminum Bezel	AA, RR