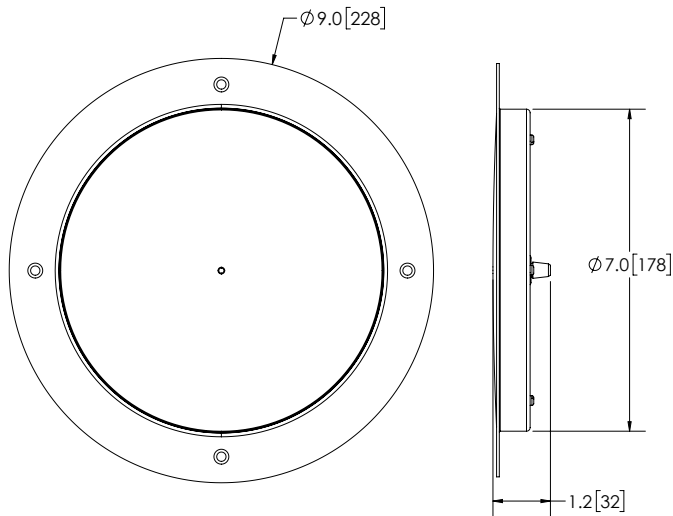


ANTIMICROBIAL LIGHT WITH VYV™



The Antimicrobial Light provides effective illumination and kills¹ viruses, bacteria, fungi, yeasts, mold. This includes killing² 98% of SARS-CoV-2. Additional features include easy installation and wiring, clear polycarbonate lens, bright/dim modes and a compact flush-mount design.



VOLTS AMPS	12-24V 1.5A
DIMS	0.5" D x 9" Diameter 13mm D x 229mm Diameter
CERTS	R10, KKK-A 1822F, AMD, IEC

- DETAILS**
- Features a tough polycarbonate lens and easy installation with a flush-mount design
 - Vyv technology kills¹ viruses, bacteria, fungi, yeasts, mold
 - Creates an inhospitable environment for bacteria and microbe growth while providing effective white lighting for use around people and animals
 - Fits in a standard 7.0" cutout
 - For optimal antimicrobial capability, replace all compartment lighting fixtures with Antimicrobial Light devices for continuous operation
 - Internationally certified by IEC 62471

MODEL	LEDs	CONNECTOR	ILLUMINATION COLORS
PCL-LED-VV	48	Bare leads	W
PCL-LED-VV-P	48	Deutsch	W



WPPLUG1
3 Pin Deutsch Connector

¹ Testing on a non-enveloped virus (MS2 bacteriophage) showed a 97.12% reduction in controlled laboratory testing in 8 hours on hard surfaces. Testing on SARS-CoV-2 (enveloped virus) showed a 96.76% reduction in controlled laboratory testing in 8 hours on hard surfaces. Testing on MRSA and E. coli showed 90%+ reduction in controlled laboratory testing in 24 hours on hard surfaces. ² Testing on SARS-CoV-2 (enveloped virus) showed a 98.45% reduction in controlled laboratory testing in 4 hours on hard surfaces. ^{1,2} Results may vary depending on the amount of light that is reaching the surfaces in the space where the product is installed and the length of time of exposure. Use of Vyv antimicrobial light is not intended to replace manual cleaning and disinfection practices.