



AREA LIGHTING



CW3006 SERIES Square LED

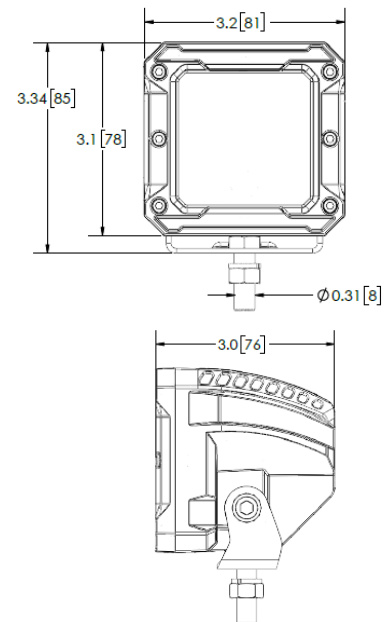
The CW3006 Series worklamps offer the latest technology and the very brightest white light for your application. This LED model offers over 80,000 hours of maintenance-free life expectancy coupled with extremely low amp draw. High-intensity light output and CE rating makes this LED worklamp the ideal choice for a wide variety of applications. NFPA 1901 compliant for hose bed lighting, dunnage, walking surfaces and work areal lighting sections. Compact 3" footprint for multiple mounting locations, featuring 12-24 VDC operation, aluminum housing and a 5 year warranty.

Models

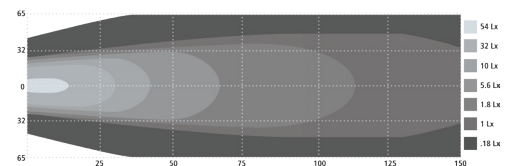
PART NO.	VOLTAGE	AMPS	RAW LUMENS	TYPE
CW3006-F	12-24	1.25	1615	Flood
CW3006-S	12-24	1.13	1630	Spot

Features and Benefits

- Six 3-watt LEDs
- NFPA 1901 compliant
- Includes 2-pin deutch connector and 6-inch male connector
- Compact 3" form allows for multiple mounting locations
- Unique aluminum heatsink housing design for maximum heat management
- Acrylic lens
- Bezel options: black, red, blue and yellow
- Steel-mounting bracket



Beam Pattern



T 314-426-2700 | orders@code3esg.com