



Installation and Operation Instructions

SINGLE/DUAL C3100 & C3900 SPEAKER MOUNT

2013+ Ford PI Sedan

IMPORTANT! Read all instructions before installing and using. Installer: This manual must be delivered to the end user.



WARNING!

Failure to install or use this product according to manufacturer's recommendations may result in property damage, serious injury, and/or death to those you are seeking to protect!

 **Do not install and/or operate this safety product unless you have read and understood the safety information contained in this manual.**

1. Proper installation combined with operator training in the use, care, and maintenance of emergency warning devices are essential to ensure the safety of emergency personnel and the public.
2. Emergency warning devices often require high electrical voltages and/or currents. Exercise caution when working with live electrical connections.
3. This product must be properly grounded. Inadequate grounding and/or shorting of electrical connections can cause high current arcing, which can cause personal injury and/or severe vehicle damage, including fire.
4. Proper placement and installation is vital to the performance of this warning device. Install this product so that output performance of the system is maximized and the controls are placed within convenient reach of the operator so that they can operate the system without losing eye contact with the roadway.
5. It is the responsibility of the vehicle operator to ensure daily that all features of this product work correctly. In use, the vehicle operator should ensure the projection of the warning signal is not blocked by vehicle components (i.e., open trunks or compartment doors), people, vehicles or other obstructions.
6. The use of this or any other warning device does not ensure all drivers can or will observe or react to an emergency warning signal. Never take the right-of-way for granted. It is the vehicle operator's responsibility to be sure they can proceed safely before entering an intersection, drive against traffic, respond at a high rate of speed, or walk on or around traffic lanes.
7. This equipment is intended for use by authorized personnel only. The user is responsible for understanding and obeying all laws regarding emergency warning devices. Therefore, the user should check all applicable city, state, and federal laws and regulations. The manufacturer assumes no liability for any loss resulting from the use of this warning device.

Specifications*:

*values given are for a single speaker

| Single C3900 | w/o Bracket | w/ Bracket |
|--------------------|-------------|-------------|
| Weight: | 2.78 lbs | 5.77 lbs |
| Dimensions: | 1.5 in (L) | 5.5 in (L) |
| | 6.0 in (W) | 11.0 in (W) |
| | 6.0 in (H) | 14.0 in (H) |
| Power: | 100 Watt | |
| Impedance: | 11 Ohm | |

| Single C3100 | w/o Bracket | w/ Bracket |
|--------------------|-------------|-------------|
| Weight: | 5.28 lbs | 8.28 lbs |
| Dimensions: | 3.15 in (L) | 7.15 in (L) |
| | 6.33 in (W) | 11.0 in (W) |
| | 6.33 in (H) | 14.0 in (H) |
| Power: | 100 Watt | |
| Impedance: | 11 Ohm | |



WARNING!

Sirens produce loud sounds that may damage hearing.

- Wear hearing protection when testing
- Use siren only for emergency response
- Roll up windows when siren is operating
- Avoid exposure to the siren sound outside of vehicle

Installation and Mounting (C3100 Speaker):

Step 1. Refer to the Ford 2013+ PI Sedan Service Manual and remove the front fascia from the vehicle.

Step 2. Install the single or dual speakers to the Speaker Mounting Plate by threading four (4) #12 X 1" Long Phillips pan head sheet metal screws with four (4) ¼" internal tooth star lock washers for each speaker body through the holes in the main bracket and into the holes in the back side of the plastic speaker body (See Figure 1). Tighten the screws until the screws and washers fully bottom out against the bracket. Do not over tighten.

Note: Make sure the speakers are mounted in the correct orientation with the Code 3 Speaker Label at the top of the assembly (See Figure 1 for correct speaker orientation). **Caution:** Severe damage could occur to the speaker if it is not mounted in the proper orientation.

Step 3. Locate the speaker assembly with the speaker mounting plate behind the vehicle's bumper cross member and the speakers on top of the cross member facing forward as shown in Figure 2.

Note: Figures 2 & 3 show the dual C3100 assembly, but the remaining steps are the same for all versions single or dual, C3100 or C3900.

Step 4. Position the two (2) speaker bracket clamps over the front of the vehicles bumper cross member and thread two (2) ¼"-20 X 1 ¼" Phillips pan head machine screws with two (2) ¼" split lock washers for each clamp through the slots in the clamps and into the threaded inserts in the speaker clamp plate (See Figures 2 and 3).

Step 5. Tighten the screws until the lock washers fully flatten out and the clamps are tight up against the vehicle's bumper cross member.

Step 6. Connect the unit wires to customer supplied wires & route to the desired power source.

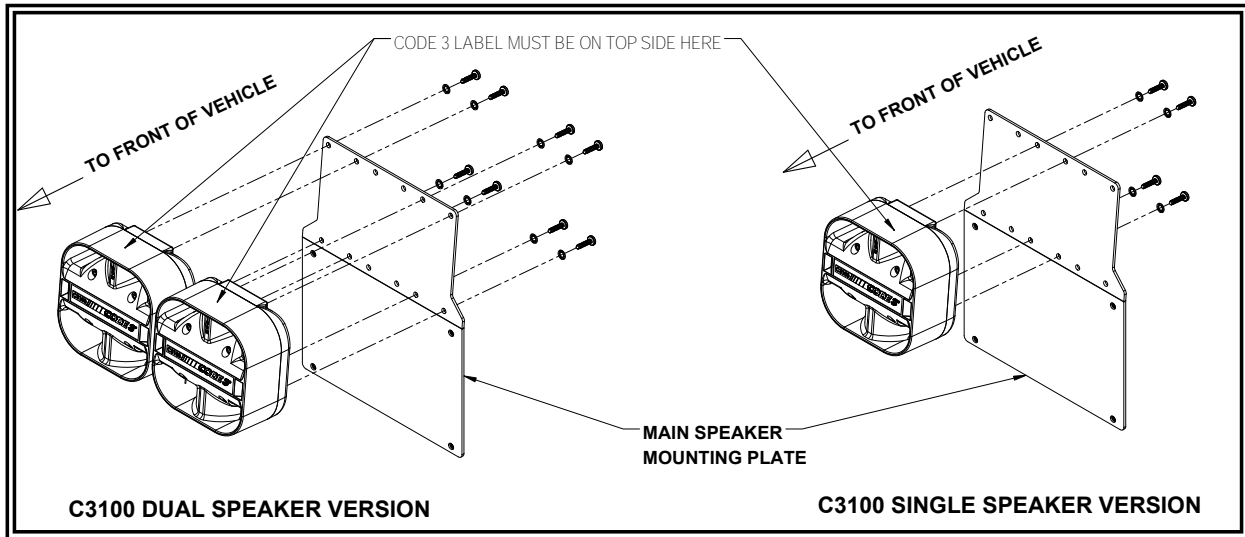


Figure 1

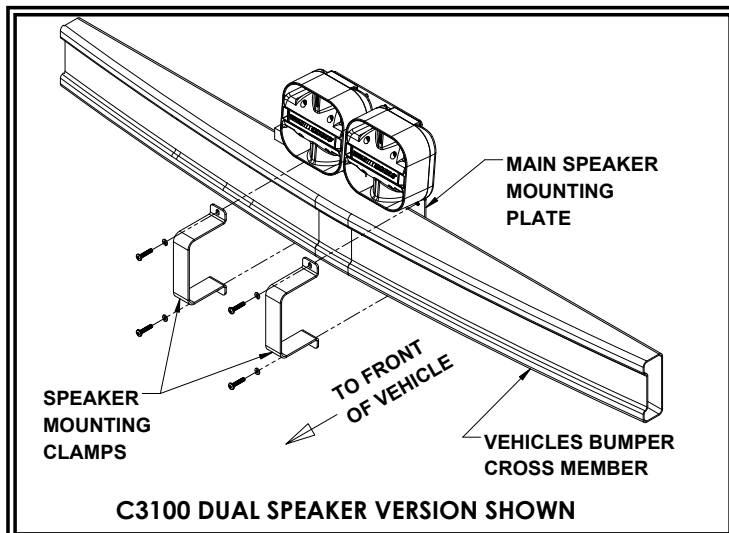


Figure 2



Figure 3

Installation and Mounting (C3900 Speaker):

Step 1. Refer to the Ford 2013+ PI Sedan Service Manual and remove the front fascia from the vehicle.

Step 2. Install the single or dual speakers to the Speaker Mounting Plate by threading two (2) 1/4"-20 X 1 1/4" Phillips pan head machine screws with two (2) 1/4" split lock washers for each speaker body through the holes in the main bracket and into the threaded holes in the back side of the speaker body (See Figure 4). Tighten the screws until the lock washers fully flatten out but do not over tighten.

Note: Make sure the speakers are mounted in the correct orientation with the word "BOTTOM" at the bottom of the assembly (See Figure 4 for correct speaker orientation). Caution: Severe damage could occur to the speaker if it is not mounted in the proper orientation.

Step 3. Locate the speaker assembly with the speaker mounting plate behind the vehicle's bumper cross member and the speakers on top of the cross member facing forward as shown in Figure 2.

Note: Figures 2 & 3 show the dual C3100 assembly, but the remaining steps are the same for all versions single or dual, C3100 or C3900.

Step 4. Position the two (2) speaker bracket clamps over the front of the vehicles bumper cross member and thread two (2) 1/4"-20 X 1 1/4" Phillips pan head machine screws with two (2) 1/4" split lock washers for each clamp through the slots in the clamps and into the threaded inserts in the speaker clamp plate (See Figures 2 and 3).

Step 5. Tighten the screws until the lock washers fully flatten out and the clamps are tight up against the vehicle's bumper cross member.

Step 6. Connect the unit wires to customer supplied wires & route to the desired power source.

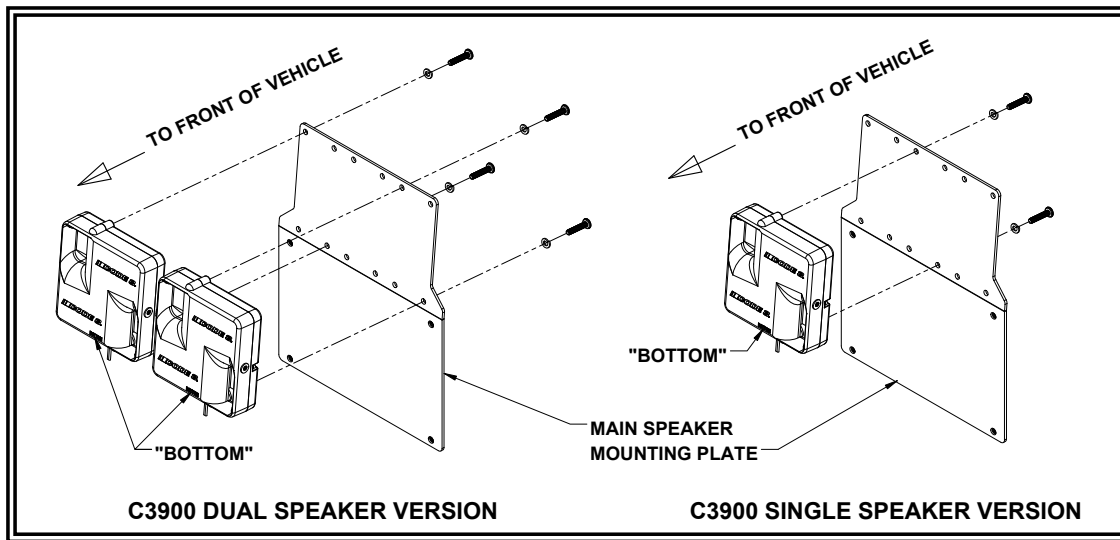


Figure 4

Replacement Parts and Accesories:

| Description | Part No. |
|--|-------------|
| C3900 Speaker | 140-1533-00 |
| C3100 Speaker | S71684 |
| Main Speaker Mounting Plate | 220-1163-00 |
| Speaker Mounting Clamps | 220-1179-00 |
| #12 x 1" Phillips Pan Head Screw | T11247 |
| 1/4" Star Tooth Lock Washer | T11253 |
| 1/4"-20 x 1 1/4" Phillips Pan Head Screw | 321-0126-00 |
| 1/4" Split Lock Washer | T03745 |

Warranty:

Manufacturer Limited Warranty Policy:

Manufacturer warrants that on the date of purchase this product will conform to Manufacturer's specifications for this product (which are available from the Manufacturer upon request). This Limited Warranty extends for Sixty (60) months from the date of purchase.

DAMAGE TO PARTS OR PRODUCTS RESULTING FROM TAMPERING, ACCIDENT, ABUSE, MISUSE, NEGLIGENCE, UNAPPROVED MODIFICATIONS, FIRE OR OTHER HAZARD; IMPROPER INSTALLATION OR OPERATION; OR NOT BEING MAINTAINED IN ACCORDANCE WITH THE MAINTENANCE PROCEDURES OUTLINED IN MANUFACTURER'S INSTALLATION AND OPERATING INSTRUCTIONS VOIDS THIS LIMITED WARRANTY.

Exclusion of Other Warranties:

MANUFACTURER MAKES NO OTHER WARRANTIES, EXPRESS OR IMPLIED. THE IMPLIED WARRANTIES FOR MERCHANTABILITY, QUALITY OR FITNESS FOR A PARTICULAR PURPOSE, OR ARISING FROM A COURSE OF DEALING, USAGE OR TRADE PRACTICE ARE HEREBY EXCLUDED AND SHALL NOT APPLY TO THE PRODUCT AND ARE HEREBY DISCLAIMED, EXCEPT TO THE EXTENT PROHIBITED BY APPLICABLE LAW. ORAL STATEMENTS OR REPRESENTATIONS ABOUT THE PRODUCT DO NOT CONSTITUTE WARRANTIES.

Remedies and Limitation of Liability:

MANUFACTURER'S SOLE LIABILITY AND BUYER'S EXCLUSIVE REMEDY IN CONTRACT, TORT (INCLUDING NEGLIGENCE), OR UNDER ANY OTHER THEORY AGAINST MANUFACTURER REGARDING THE PRODUCT AND ITS USE SHALL BE, AT MANUFACTURER'S DISCRETION, THE REPLACEMENT OR REPAIR OF THE PRODUCT, OR THE REFUND OF THE PURCHASE PRICE PAID BY BUYER FOR NON-CONFORMING PRODUCT. IN NO EVENT SHALL MANUFACTURER'S LIABILITY ARISING OUT OF THIS LIMITED WARRANTY OR ANY OTHER CLAIM RELATED TO THE MANUFACTURER'S PRODUCTS EXCEED THE AMOUNT PAID FOR THE PRODUCT BY BUYER AT THE TIME OF THE ORIGINAL PURCHASE. IN NO EVENT SHALL MANUFACTURER BE LIABLE FOR LOST PROFITS, THE COST OF SUBSTITUTE EQUIPMENT OR LABOR, PROPERTY DAMAGE, OR OTHER SPECIAL, CONSEQUENTIAL, OR INCIDENTAL DAMAGES BASED UPON ANY CLAIM FOR BREACH OF CONTRACT, IMPROPER INSTALLATION, NEGLIGENCE, OR OTHER CLAIM, EVEN IF MANUFACTURER OR A MANUFACTURER'S REPRESENTATIVE HAS BEEN ADVISED OF THE POSSIBILITY OF SUCH DAMAGES. MANUFACTURER SHALL HAVE NO FURTHER OBLIGATION OR LIABILITY WITH RESPECT TO THE PRODUCT OR ITS SALE, OPERATION AND USE, AND MANUFACTURER NEITHER ASSUMES NOR AUTHORIZES THE ASSUMPTION OF ANY OTHER OBLIGATION OR LIABILITY IN CONNECTION WITH SUCH PRODUCT.

This Limited Warranty defines specific legal rights. You may have other legal rights which vary from jurisdiction to jurisdiction. Some jurisdictions do not allow the exclusion or limitation of incidental or consequential damages.

Product Returns:

If a product must be returned for repair or replacement*, please contact our factory to obtain a Return Goods Authorization Number (RGA number) before you ship the product to Code 3®, Inc. Write the RGA number clearly on the package near the mailing label. Be sure you use sufficient packing materials to avoid damage to the product being returned while in transit.

*Code 3®, Inc. reserves the right to repair or replace at its discretion. Code 3®, Inc. assumes no responsibility or liability for expenses incurred for the removal and /or reinstallation of products requiring service and/or repair.; nor for the packaging, handling, and shipping; nor for the handling of products returned to sender after the service has been rendered.



10986 North Warson Road
St. Louis, MO 63114

Technical Service
(314) 996-2800

c3_tech_support@code3esg.com
www.code3esg.com

An ECCO SAFETY GROUP™ Brand
www.eccosafetygroup.com