




Installation and Operation Instructions

LED Prizm II

Steady Burning Perimeter Lights

IMPORTANT! Read all instructions before installing and using. Installer: This manual must be delivered to the end user.

WARNING!
 Failure to install or use this product according to manufacturer's recommendations may result in property damage, serious injury, and/or death to those you are seeking to protect!

 **Do not install and/or operate this safety product unless you have read and understood the safety information contained in this manual.**

1. Proper installation combined with operator training in the use, care, and maintenance of emergency warning devices are essential to ensure the safety of emergency personnel and the public.
2. Emergency warning devices often require high electrical voltages and/or currents. Exercise caution when working with live electrical connections.
3. This product must be properly grounded. Inadequate grounding and/or shorting of electrical connections can cause high current arcing, which can cause personal injury and/or severe vehicle damage, including fire.
4. Proper placement and installation is vital to the performance of this warning device. Install this product so that output performance of the system is maximized and the controls are placed within convenient reach of the operator so that they can operate the system without losing eye contact with the roadway.
5. Do not install this product or route any wires in the deployment area of an air bag. Equipment mounted or located in an air bag deployment area may reduce the effectiveness of the air bag or become a projectile that could cause serious personal injury or death. Refer to the vehicle owner's manual for the air bag deployment area. It is the responsibility of the user/operator to determine a suitable mounting location ensuring the safety of all passengers inside the vehicle particularly avoiding areas of potential head impact.
6. It is the responsibility of the vehicle operator to ensure daily that all features of this product work correctly. In use, the vehicle operator should ensure the projection of the warning signal is not blocked by vehicle components (i.e., open trunks or compartment doors), people, vehicles or other obstructions.
7. The use of this or any other warning device does not ensure all drivers can or will observe or react to an emergency warning signal. Never take the right-of-way for granted. It is the vehicle operator's responsibility to be sure they can proceed safely before entering an intersection, drive against traffic, respond at a high rate of speed, or walk on or around traffic lanes.
8. This equipment is intended for use by authorized personnel only. The user is responsible for understanding and obeying all laws regarding emergency warning devices. Therefore, the user should check all applicable city, state, and federal laws and regulations. The manufacturer assumes no liability for any loss resulting from the use of this warning device.

Specifications:

Table 1:

	3x7 Single Color	3x7 Multi-Color	4x6 Single Color	4x6 Multi-Color	7x9 Single Color	7x9 Multi-Color
Size	1.5" x 4.75" x 9.0" (w/ bezel)		1.5" x 6.0" x 8.5" (w/ bezel)		1.5" x 9.0" x 11.0" (w/ bezel)	
Weight	1.0 lbs		1.1 lbs		2.25 lbs	
Operating Voltage	11 - 15 Volts					
Peak Current Draw	1.7 Amps				5.1 Amps	

Unpacking and Pre-Installation:

Carefully remove the light head from its protective packaging. Inspect the unit for transit damage. Report any damage to the carrier and keep the shipping carton. Verify the contents of the package (refer to Table 3 and Figures 2 and 3). Test the lights before installation. To test, touch the black wire(s) to ground and the red wire to +12 VDC. On multi-color lights, verify the secondary color by removing the red wire and touching the white wire to +12 VDC.

If a problem occurs, contact the factory.

Installation and Mounting:

Step 1. Mark off and drill four 1/4" diameter mounting holes and the 1" wire hole on the vehicles mounting surface using the dimensions shown for the appropriate light (refer to Figures 5, 6, 7 & 8). Verify free clearance exists behind the mounting surface for wires and fasteners before drilling.

Step 2. Install customer supplied grommet in the 1" diameter wire hole. Install the four plastic grommets in the mounting holes (Code 3 supplied).

Step 3. Route the vehicle power wires and allow a minimum of 3" of slack to protrude from the center opening at each light head location. Use appropriate gauge wiring based on the wire length and the light current draw as listed in the specifications above.

Step 4. Prepare the vehicle power wires and the light heads wires with terminations of the customer's choice (not supplied) as follows: Red: +12 VDC Primary, White: +12 VDC Secondary (for multi-color lights), Black: Ground (multi-color 7x9 lights will have two Black wires; both should be connected to ground). Waterproof connectors are recommended. Refer to Figure 1 and Figure 2.

Step 5. Route the power wires through the center opening of the light gasket or bezel and bezel gasket (refer to Figures 3 & 4). Connect the light heads power wires (black and red) to the vehicle system's ground and positive (+12 VDC), respectively. Seal or cap the end of the white wire and other unused wires to prevent inadvertent changes to the flash pattern or unexpected operation of the device.

Step 6. Verify proper light head operation by supplying electrical power to the system wires.

Step 7. Push the assembled electrical connectors through the center opening and into the vehicle.

Step 8. Install the lens gasket over the light head.

Step 9. Place the light head onto the light gasket or bezel and bezel gasket. The bezel and all gaskets are marked with the word "Top", and orientation is important. The light head is not marked, but should ideally be oriented such that the wire harness is located directly across from the hole in the vehicle body; these light heads are all symmetric left and right, so orientation is not important.

Step 10. Install onto the light head the outer lens and secure to the vehicle using the four supplied #6 x 1 1/4" screws.

Figure 1 - Wiring for Single Color Lights:

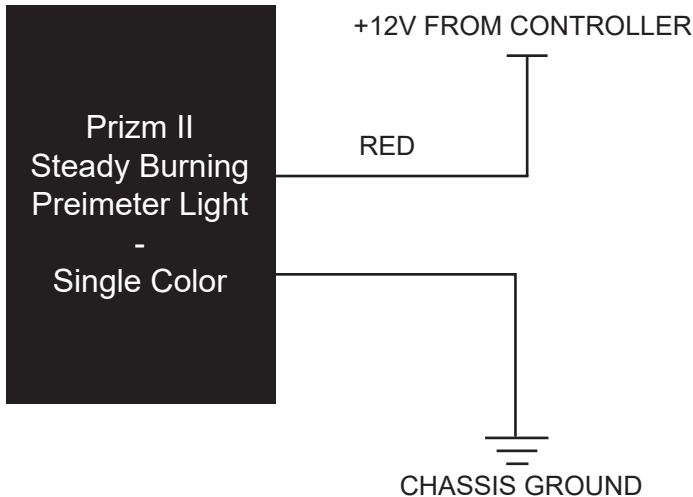
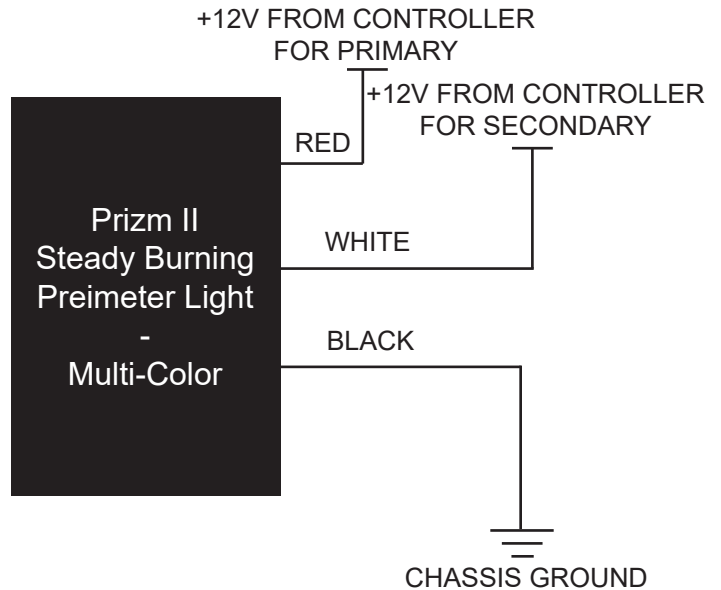


Figure 2 - Wiring for Multi-Color Lights:



Parts & Exploded View:

The table below references the components identified in Figures 3 & 4 below.

Table 2:

Size	Lens Color	1: Light Housing	2: Outer Lens	3: Lens Gasket	4: Light Gasket	5: Parts Kit	6: Bezel	7: Bezel Gasket	8: Base Gasket
3x7	Red	T52011	T52112	T52007	T07919		T07916	T07922	T52004
	Amber		T52113						
	Blue		T52114						
	Clear		T52115						
4x6	Red	T52012	T52116	T52008	T07920	T52027	T07917	T07923	T52005
	Amber		T52117						
	Blue		T52118						
	Clear		T52119						
7x9	Red	T52013	T52120	T52009	T07921		T07918	T07924	T52006
	Amber		T52121						
	Blue		T52122						
	Clear		T52123						

Figure 3 - Exploded View (3x7 w/ Bezel Shown):

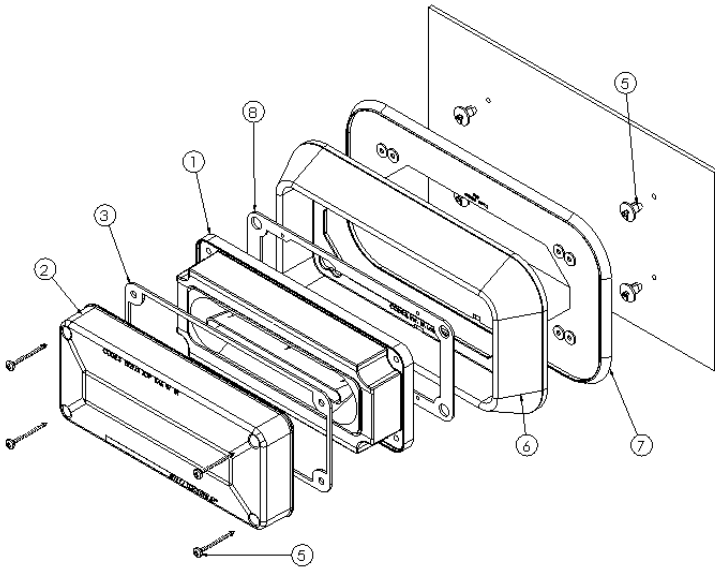
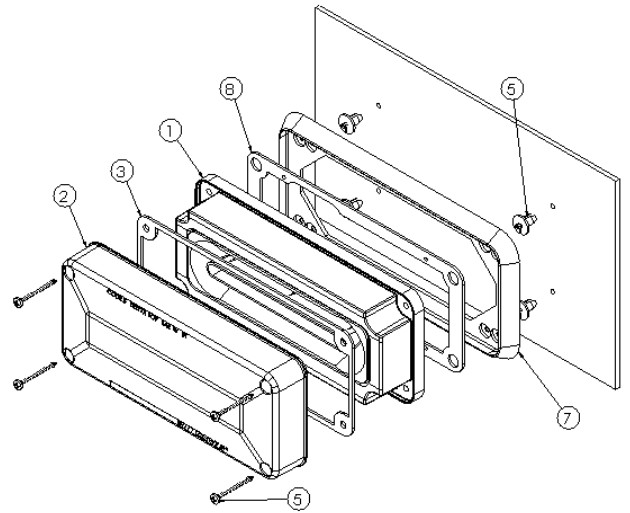


Figure 4 - Exploded View (3x7 Shown):



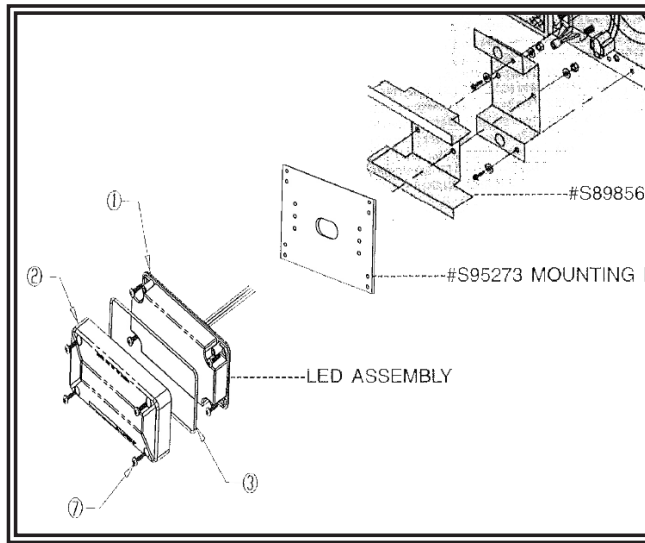


Figure 5

Installation Template Dimensions:

Figure 6 - 3x7 Mounting Template:

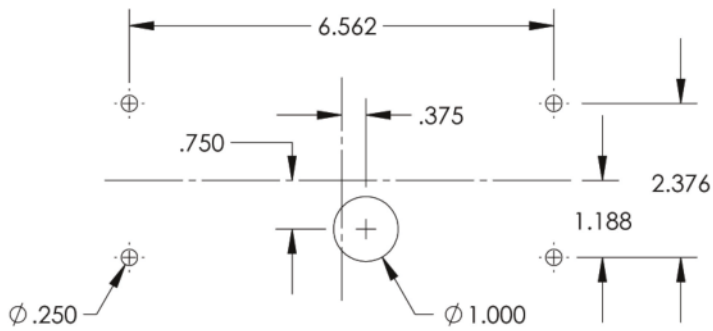


Figure 7 - 4x6 Mounting Template:

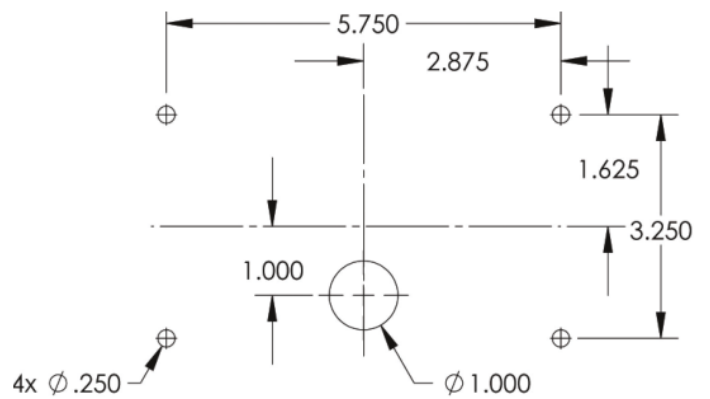
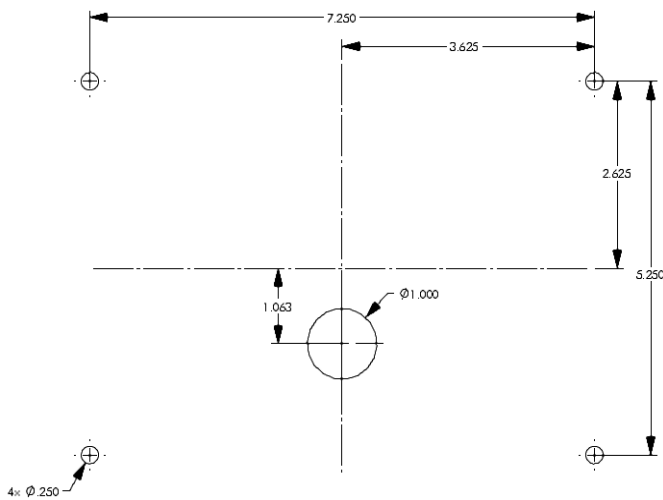


Figure 8 - 7x9 Mounting Template:



Maintenance:

The lens is field removable for cleaning and replacement. Remove the lens by unscrewing the four mounting screws. Use mild detergent, warm water and a soft cloth to clean both surfaces of the lens. Use of any other chemicals may void product warranty. Dry thoroughly before reinstalling.

Notes:

Notes:

Notes:

Warranty:

Manufacturer Limited Warranty Policy:

Manufacturer warrants that on the date of purchase this product will conform to Manufacturer's specifications for this product (which are available from the Manufacturer upon request). This Limited Warranty extends for Sixty (60) months from the date of purchase.

DAMAGE TO PARTS OR PRODUCTS RESULTING FROM TAMPERING, ACCIDENT, ABUSE, MISUSE, NEGLIGENCE, UNAPPROVED MODIFICATIONS, FIRE OR OTHER HAZARD; IMPROPER INSTALLATION OR OPERATION; OR NOT BEING MAINTAINED IN ACCORDANCE WITH THE MAINTENANCE PROCEDURES SET FORTH IN MANUFACTURER'S INSTALLATION AND OPERATING INSTRUCTIONS VOIDS THIS LIMITED WARRANTY.

Exclusion of Other Warranties:

MANUFACTURER MAKES NO OTHER WARRANTIES, EXPRESS OR IMPLIED. THE IMPLIED WARRANTIES FOR MERCHANTABILITY, QUALITY OR FITNESS FOR A PARTICULAR PURPOSE, OR ARISING FROM A COURSE OF DEALING, USAGE OR TRADE PRACTICE ARE HEREBY EXCLUDED AND SHALL NOT APPLY TO THE PRODUCT AND ARE HEREBY DISCLAIMED, EXCEPT TO THE EXTENT PROHIBITED BY APPLICABLE LAW. ORAL STATEMENTS OR REPRESENTATIONS ABOUT THE PRODUCT DO NOT CONSTITUTE WARRANTIES.

Remedies and Limitation of Liability:

MANUFACTURER'S SOLE LIABILITY AND BUYER'S EXCLUSIVE REMEDY IN CONTRACT, TORT (INCLUDING NEGLIGENCE), OR UNDER ANY OTHER THEORY AGAINST MANUFACTURER REGARDING THE PRODUCT AND ITS USE SHALL BE, AT MANUFACTURER'S DISCRETION, THE REPLACEMENT OR REPAIR OF THE PRODUCT, OR THE REFUND OF THE PURCHASE PRICE PAID BY BUYER FOR NON-CONFORMING PRODUCT. IN NO EVENT SHALL MANUFACTURER'S LIABILITY ARISING OUT OF THIS LIMITED WARRANTY OR ANY OTHER CLAIM RELATED TO THE MANUFACTURER'S PRODUCTS EXCEED THE AMOUNT PAID FOR THE PRODUCT BY BUYER AT THE TIME OF THE ORIGINAL PURCHASE. IN NO EVENT SHALL MANUFACTURER BE LIABLE FOR LOST PROFITS, THE COST OF SUBSTITUTE EQUIPMENT OR LABOR, PROPERTY DAMAGE, OR OTHER SPECIAL, CONSEQUENTIAL, OR INCIDENTAL DAMAGES BASED UPON ANY CLAIM FOR BREACH OF CONTRACT, IMPROPER INSTALLATION, NEGLIGENCE, OR OTHER CLAIM, EVEN IF MANUFACTURER OR A MANUFACTURER'S REPRESENTATIVE HAS BEEN ADVISED OF THE POSSIBILITY OF SUCH DAMAGES. MANUFACTURER SHALL HAVE NO FURTHER OBLIGATION OR LIABILITY WITH RESPECT TO THE PRODUCT OR ITS SALE, OPERATION AND USE, AND MANUFACTURER NEITHER ASSUMES NOR AUTHORIZES THE ASSUMPTION OF ANY OTHER OBLIGATION OR LIABILITY IN CONNECTION WITH SUCH PRODUCT.

This Limited Warranty defines specific legal rights. You may have other legal rights which vary from jurisdiction to jurisdiction. Some jurisdictions do not allow the exclusion or limitation of incidental or consequential damages.

Product Returns:

If a product must be returned for repair or replacement*, please contact our factory to obtain a Return Goods Authorization Number (RGA number) before you ship the product to Code 3®, Inc. Write the RGA number clearly on the package near the mailing label. Be sure you use sufficient packing materials to avoid damage to the product being returned while in transit.

*Code 3®, Inc. reserves the right to repair or replace at its discretion. Code 3®, Inc. assumes no responsibility or liability for expenses incurred for the removal and /or reinstallation of products requiring service and/or repair.; nor for the packaging, handling, and shipping; nor for the handling of products returned to sender after the service has been rendered.



10986 North Warson Road, St. Louis, MO 63114 USA
Technical Service USA (314) 996-2800
c3_tech_support@code3esg.com
CODE3ESG.com