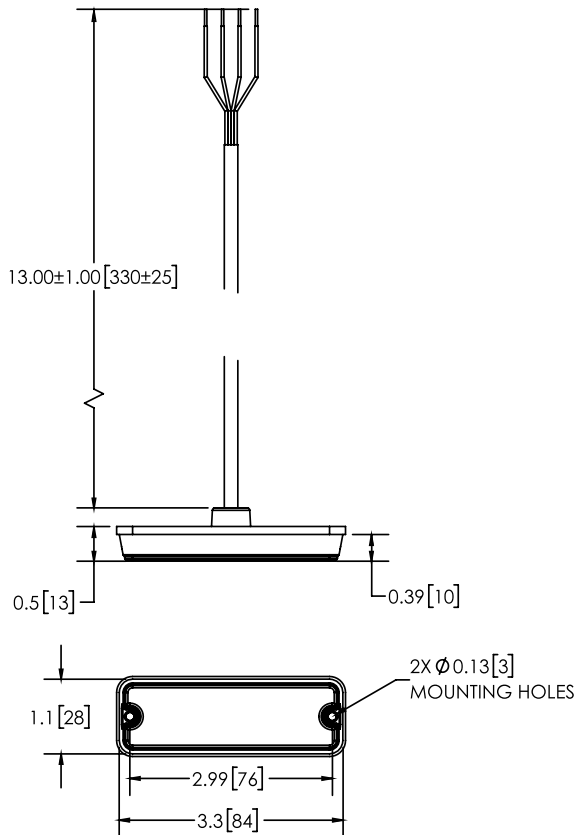


CD3511 SERIES SURFACE MOUNT



CD3511RB

The CD3511 LED warning light is designed to offer maximum performance with a minimal footprint. This surface mount LED measures only 0.5" deep, features 36 flash patterns and is available in amber, blue, white, green and red single- or dual-color options. Its compact form allows for mounting in virtually any location on a vehicle body, while its twelve 1-watt LEDs provide high-intensity utility and warning lighting across use cases. With a low current draw, long maintenance-free service life and a 5-year warranty, the CD3511 Series is a small yet powerful LED for police, fire and EMS vehicles.



VOLTS AMPS	12-24V 1.4A
DIMS	1.1" H x 3.3" L x 0.51" D 28mm H x 84mm L x 13mm D
FLASH PATTERNS	29 Single, 69 Dual
CERTS	CLASS I (SAE J595), CA T13, CE, R10, RCM, R65, IP67, RoHS

- DETAILS**
- CD3511 Series replaces SD24 Series
 - Twelve 1-watt high-intensity LEDs provide exceptional utility
 - Synchronizable with additional CD3511s and Hide-A-LEDs
 - All electronics embedded in lighthouse
 - 13" (330mm) cable
 - UV-stabilized polycarbonate lens
 - Fits standard PIU 2020+ grille mount
 - Matrix® compatible

REPLACE " _ " with A = Amber, B = Blue, R = Red, W = White

MODEL	TYPE	ILLUMINATION COLORS
CD3511_	Single	A, B, R, W
CD3511__	Dual	AB, AR, AW, BW, RW, RB



SD24LBRKT
L-Bracket



SD24ZBRKT
Multi-Angle Bracket