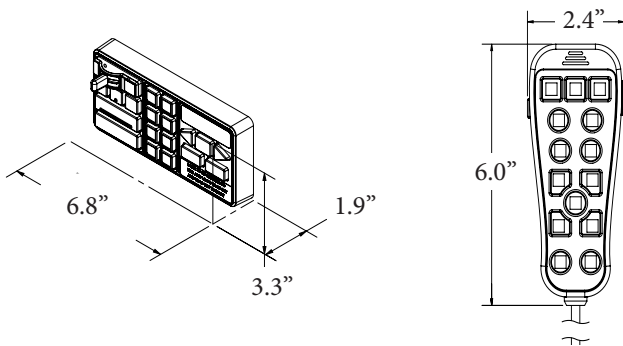
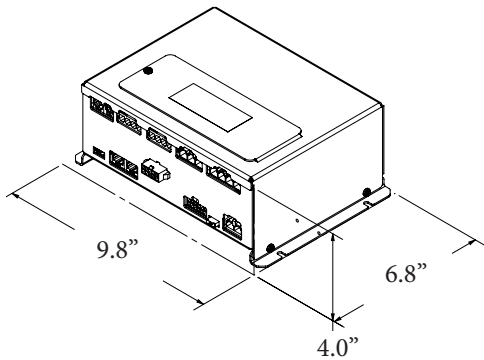


Z3S™ SIREN - MATRIX® ENABLED

EASY TO OPERATE CONTROL HEAD



The Z3S™ Siren's intuitive design efficiently integrates the unit's emergency warning systems. The controller has three distinct zones: sirens and primary lighting, auxiliary devices and traffic or warning function. Adjust backlight brightness and public address microphone to accommodate various light and noise conditions. Additional features include a built-in battery voltage check, sleep mode timer and configurable buttons to control auxiliary or siren functions via Matrix® software.



VOLTS AMPS	12V 1.9A
WATTS	200W / 300W
DIMS	3.3" H x 6.8" L x 1" D 84mm H x 172mm L x 27mm D (push button / rotary control head) 4" H x 9.75" L x 6.8" D 100mm H x 248mm L x 172mm D (amplifier) 2.4" H x 5.9" L x 1.2" D 31mm H x 150mm L x 60mm D (handheld)
CERTS	J1849, CA T13, R10
DETAILS	<ul style="list-style-type: none"> Z3 features 18 configurable outputs (2-20A, 8-10A, 8-500mA) and 13 configurable inputs rear window viewing and eliminating flash back Push button, rotary, or handheld control heads Program sirens using Matrix® software

MODEL	TYPE
Z3SP-1	Z3 Serial With Push Button Control Head
Z3SR-1	Z3 Serial With Rotary Control Head
Z3SXP-1	Z3 Serial With Banshee Built-In, Push Button Control Head
Z3SXR-1	Z3 Serial With Banshee Built-In, Rotary Control Head
Z3SH-1	Z3S Siren, Matrix, Handheld
Z3SXH-1	Z3S Dual-Tone Siren, Matrix, Handheld

