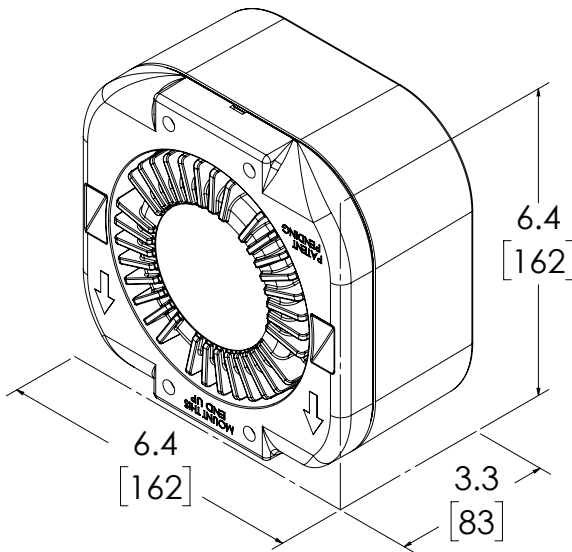


C3100™ SERIES SIREN SPEAKER



The efficient and powerful C3100™ Series works seamlessly with all Code 3 sirens. Easily install and mount on the vehicle's surface or grille with universal or vehicle-specific mounting brackets. Pair the speaker with the Banshee® amp to produce a low frequency tone.



VOLTS	12V
WATTS	100W
DIMS	6.3" H x 6.3" L x 3.3" D 159mm H x 159mm L x 83mm D
CERTS	J1849, CA T13
DETAILS	<ul style="list-style-type: none"> ▪ Banshee® siren compatible for additional features ▪ High efficiency ▪ Easy to install

VEHICLE	YEAR	VEHICLE SPECIFIC SPEAKER/BACKET MODELS
Caprice	2011+	C3100CP
Charger	2015+	C3100CH15, C3100CH15-2, C3100CH15-LM
Durango	2015+	C3100DUR
Expedition	2007+	C3100EN07
F150	2015+	C3100F15015, C3100F15015-2
Fusion	2014+	C3100FFU1
Impala	2006+	C3100IM3, C3100IM4, C3100IM4-2
Interceptor Sedan	2015+	C3100PIS-SD
Interceptor Utility	2015-2019	C3100-PIU, C3100-PIU-2, C3100-PIU-SD
Interceptor Utility	2020+	
Silverado	2016+	C3100SLV16, C3100SLV17
Tahoe	2015+	C3100TH15, C3100TH15-2, C3100TH17
Universal	-	C3100U, C3100U2, C3100BB
C3100X	-	No bracket



SPKR-BKT-DS-PIU20
Siren Bracket
2020+ PIU DRIVER SIDE



SPKR-BKT-PS-PIU20
Siren Bracket
2020+ FORD PIU PASSENGER