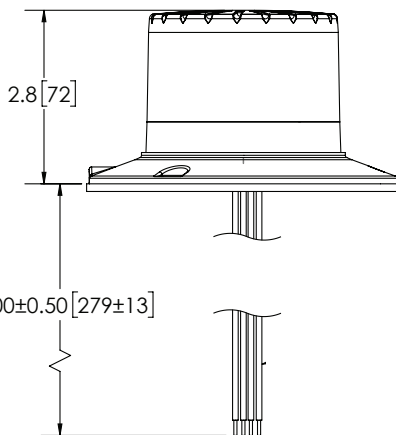
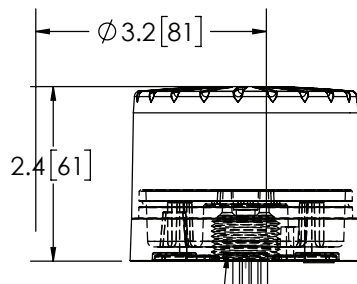


CB7265 MINI-LED POLE MOUNT



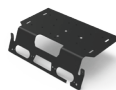
The cost-effective and compact CB7265 mini-beacon produces an intense warning light and has a long service life. It is ideal for the fleet's auxiliary and electrically powered service vehicles. The beacon produces 91 flash patterns and it can be synched with other Code 3 exterior lights. Mount it on the vehicle's surface or on a pole.



Base Diameter = 4.67 [119]

VOLTS AMPS	12-24V 1.4A
DIMS	2.4" H x 4.67" Diameter 61mm H x 119mm Diameter (with flange)
FLASH PATTERNS	91
CERTS	CLASS I (SAE J845), CA T13, CE, R10, IP67, RoHS
DETAILS	<ul style="list-style-type: none"> High-intensity illumination Compact design without sacrificing light output Sync capability with Chase®, MR6, Mega Thin™, M180™ and microbars Temperature Range: -22°F to +122°F (-30°C to +50°C)

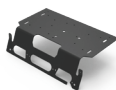
MODEL	MOUNT	TYPE	LENS	ILLUMINATION COLORS
CB7265CRB	3 Bolt or Pole	Dual	Clear	RB



EZ1000B-FH
3rd Brake Light Platform
For F150, F250, F350 - Halogen, Black



EZ1000W-FH
3rd Brake Light Platform
For F150, F250, F350 - Halogen, White



EZ1000B-FL
3rd Brake Light Platform
For F150, F250, F350 - LED, Black



EZ1000W-FL
3rd Brake Light Platform
For F150, F250, F350 - LED, White