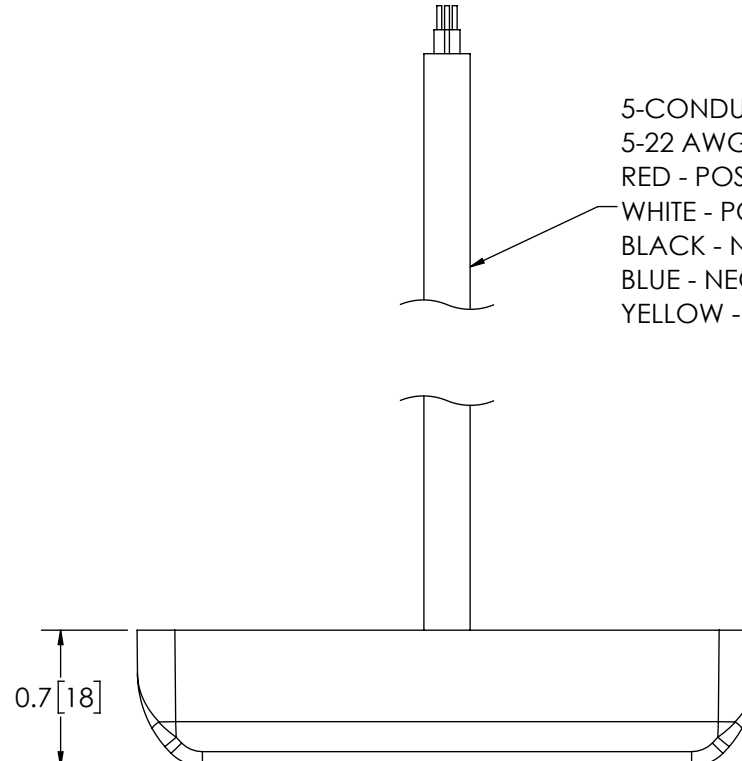
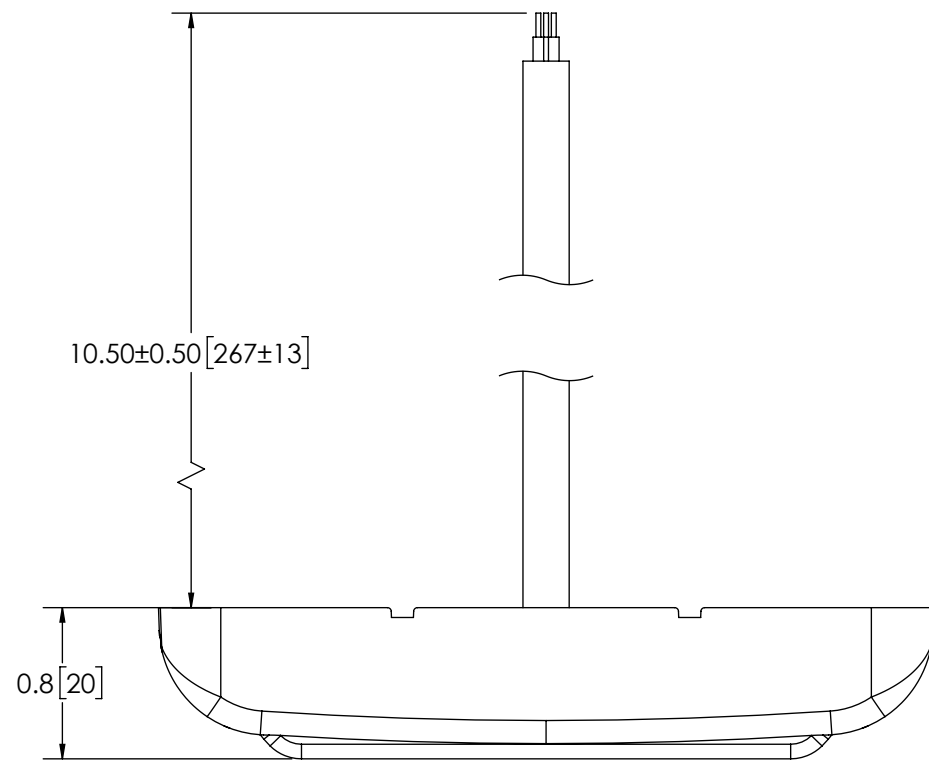


REVISION HISTORY		
REV.	DESCRIPTION	DATE
02	REVISED PER EP0157	2022-05-25
03	REVISED PER EP0157	2022-07-27
A	INITIAL RELEASE PER EP0157	2022-08-02

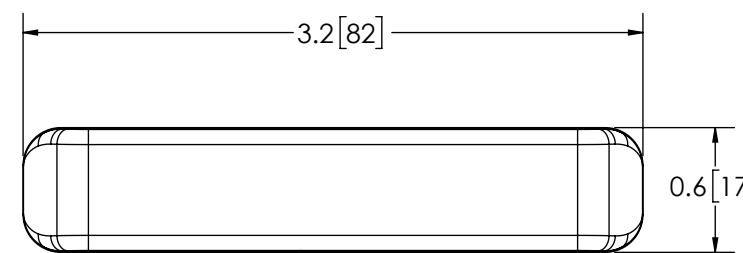
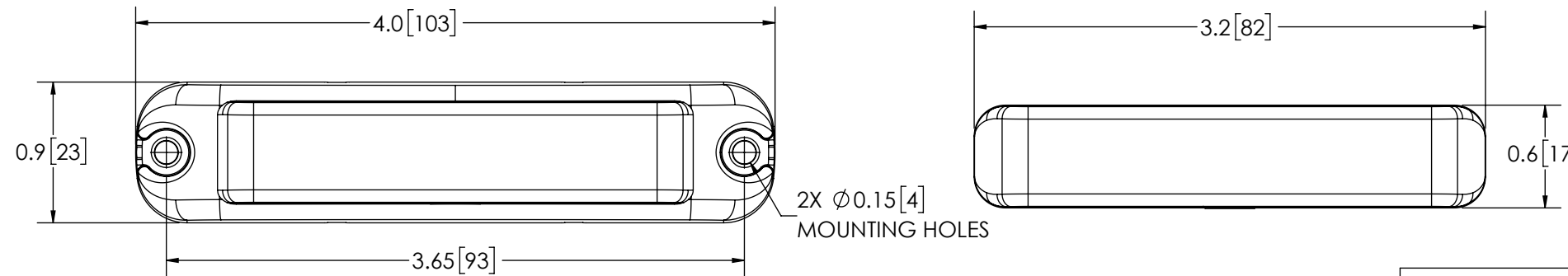


5-CONDUCTOR CABLE
 5-22 AWG WIRES
 RED - POSITIVE(+)
 WHITE - POSITIVE(+)
 BLACK - NEGATIVE(-)
 BLUE - NEGATIVE(-) PATTERN SELECT, POSITIVE(+) DIM
 YELLOW - SYNC

SPECIFICATIONS

- CERTIFICATIONS: **CE**; ECE R10; SAE J595 (AUG 2021) CLASS 1; CA Title 13 (SEE CHART); IP67/IP69K
 Note: Unique components, accessories, and hardware kits are not typically included in the Product Certification Test Protocols. Unless otherwise Specified, the Product Certifications referred to herein are predicated upon the base product model configuration.
- FLASH MODE: SINGLE : 75 ± 5 FLASHES PER MINUTE
 SINGLE : 120 ± 5 FLASHES PER MINUTE
 SINGLE : 375 ± 5 FLASHES PER MINUTE
- VOLTAGE (NOMINAL): 12-24 VDC
- VOLTAGE (EXTREME): 9-32 VDC
- CURRENT (PEAK): SEE CHART (@ 12 VDC NOMINAL)
- POWER (MAXIMUM): SEE CHART (@ 12 VDC NOMINAL)
- TEMPERATURE RANGE: -40°F (-40°C) TO 149°F (65°C)
- CONNECTION: 6 - 24 AWG CONDUCTOR CABLE
- MOUNTING: TWO DIFFERENT BRACKETS FOR GRILL MOUNTING
- BASE MATERIAL: POLYCARBONATE,
- LENS MATERIAL: POLYCARBONATE, UV STABILIZED
- PRODUCT WEIGHT: 0.10 LBS (0.05 Kg)

NO BEZEL



FGS. PRODUCT CHART				
FGS. NO.	COLOR	CURRENT (PEAK) A	POWER (MAX) W	TITLE 13
CD5031RBW	RED/BLU/WHT	0.57	7.7	CLASS B; RED,BLU
CD5031RBA	RED/BLU/AMB	0.55	7.4	CLASS B; RED,BLU,AMB
CD5031RAW	RED/AMB/WHT	0.57	7.7	CLASS B; RED,AMB
CD5031BAW	BLUE/AMB/WHT	0.57	7.7	CLASS B; BLU,AMB

DISCLAIMER
 DIMENSIONS, ILLUSTRATIONS, SPECIFICATIONS, AND CERTIFICATIONS CONTAINED IN THIS DOCUMENT ARE TYPICAL OF THE ACTUAL PRODUCT AND ARE SUBJECT TO CHANGE. ECCO ENGINEERING DOES NOT MAINTAIN FORMAL DESIGN CONTROL OF THIS PRODUCT.

MOUNTING DISCLAIMER
 MOUNTING MEASUREMENT IS FOR REFERENCE ONLY. MEASURE BEFORE DRILLING.

- NOTES:
- ROHS COMPLIANT
 - DIMENSIONS IN INCHES[MILLIMETERS (FOR REFERENCE)]

SCALE 1:1	APPROVALS	DATE	 Americas (800) 635-5900 Europe +44 (0)113 237 5340 Asia Pacific +61 (0)3 63322444											
CAD GENERATED DRAWING DO NOT MANUALLY UPDATE.	DRAWN BY ABD	2022-07-28												
	CHECKED BTK	2022-07-28												
TOLERANCES ARE IN INCHES, AND MILLIMETERS TOLERANCES UNLESS OTHERWISE STATED ARE:	MECH. ENG. JLA	2022-07-27												
<table border="0"> <tr> <td>MILLIMETERS DECIMALS</td> <td>INCHES DECIMALS</td> <td>ANGLES</td> </tr> <tr> <td>XX ± 1.0mm</td> <td>X.X ± 0.1</td> <td>± 0.5°</td> </tr> <tr> <td>XX.X ± 0.5mm</td> <td>X.XX ± 0.04</td> <td>FRACTIONS</td> </tr> <tr> <td></td> <td>X.XXX ± 0.02</td> <td>± 1/64</td> </tr> </table>	MILLIMETERS DECIMALS	INCHES DECIMALS	ANGLES	XX ± 1.0mm	X.X ± 0.1	± 0.5°	XX.X ± 0.5mm	X.XX ± 0.04	FRACTIONS		X.XXX ± 0.02	± 1/64	ELEC. ENG.	
MILLIMETERS DECIMALS	INCHES DECIMALS	ANGLES												
XX ± 1.0mm	X.X ± 0.1	± 0.5°												
XX.X ± 0.5mm	X.XX ± 0.04	FRACTIONS												
	X.XXX ± 0.02	± 1/64												
	TEST ENG. BAK	2022-07-28												
	SALES.													
THIRD ANGLE PROJECTION	Electronically Controlled Use Latest Copy		CUSTOMER PART NO. SEE CHART											
	SIZE: B	DWG. NO. CD5031XXX	REV. A											
	SHEET 1 OF 1	Project: EP0157	Date Created: 2022-03-23											