



REVERSING SAFETY



camera only

CC7008-WK GEMINEYE™ 7" Quad View LCD Color Wireless System

Code 3's wireless quad camera is easy to install saving on installation labor by reducing wiring. The system is expandable up to four cameras and allows for easy review and retrieval of data with a secure digital (SD) card. The 7" widescreen LCD high-resolution touch screen color monitor has a built in controller, and quad split screen is able for viewing of up to four wireless cameras. Features include color and infrared camera with excellent picture quality in low-light conditions, automatic camera selection is available via a trigger wire, easily adjust volume, contrast, brightness, day/night settings, and mirror imaging control.

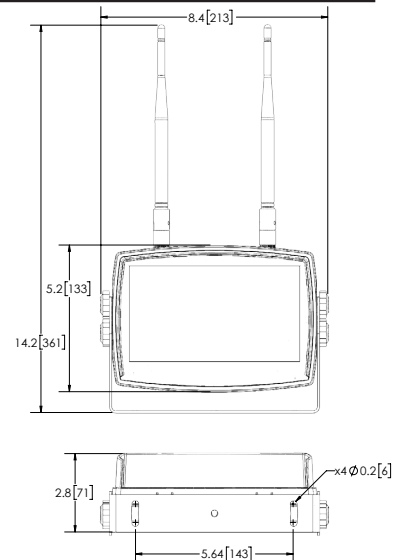
Model

MODEL	MONITOR	CAMERA	MAX CAMERAS
CC7008-WK	CC7008-WM	CC2027-WC	4

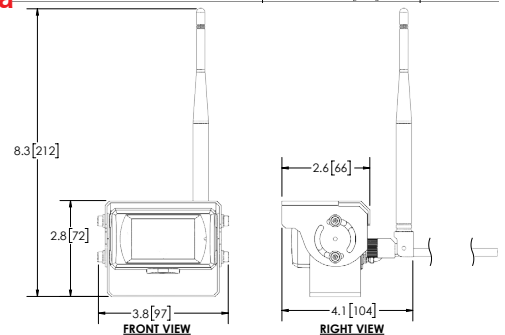
Features and Benefits

- Eliminates critical blind spots
- Excellent picture quality in low-light conditions
- Easily adjust the volume, contrast, brightness, day/night setting, and mirror imaging control, buttons built-in
- Automatic camera selection is available via a trigger wire
- Remote control
- Password protected
- 2.4GHz frequency
- Quad camera recording
- Multi-view screen
- SD Card-enabled recording
- Auto pairing

Monitor



Camera



WIRING GUIDE

