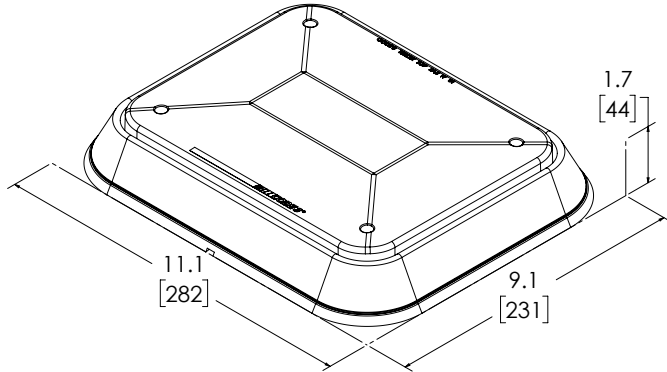


7 X 9 LED STTR

ALL-IN-ONE STOP/TURN/TAIL/REVERSE



The 7 x 9 LED Stop-Turn-Tail-Reverse lights are ideal for smaller trucks, which allow room for additional lighting and accessories. The budget-friendly devices are easy to install and low maintenance. They feature advanced Torus™ LED technology that focuses light output ensuring visibility in any operational environment. The units are housed in stainless steel with a tough polycarbonate lens. Rubber and removable, chrome-plated bezels are included.



VOLTS AMPS	12V < 0.5 Amps for each function		
DIMS	9.1" H x 11.1" W x 1.7" D 231mm H x 282mm W x 44mm D (with bezel)		
CERTS	J2040, J2261 (Vehicles > 80" wide) J585, J586, J588 (Vehicles < 80" wide) DOT Certified		
DETAILS	<ul style="list-style-type: none"> ▪ Surface mount ▪ Space-saving light leaves room for additional warning lights, chevron reflectors, or equipment on a custom built apparatus ▪ Bright Torus® LEDs for alerting traffic ▪ Chrome-plated bezel (removable) ▪ Easy to install and low maintenance ▪ Combines stop, tail, turn and reverse lights functionality 		
MODEL	LENGTH	LENS	ILLUMINATION COLOR
79STTRBZ-D	11.1"	C	AWR