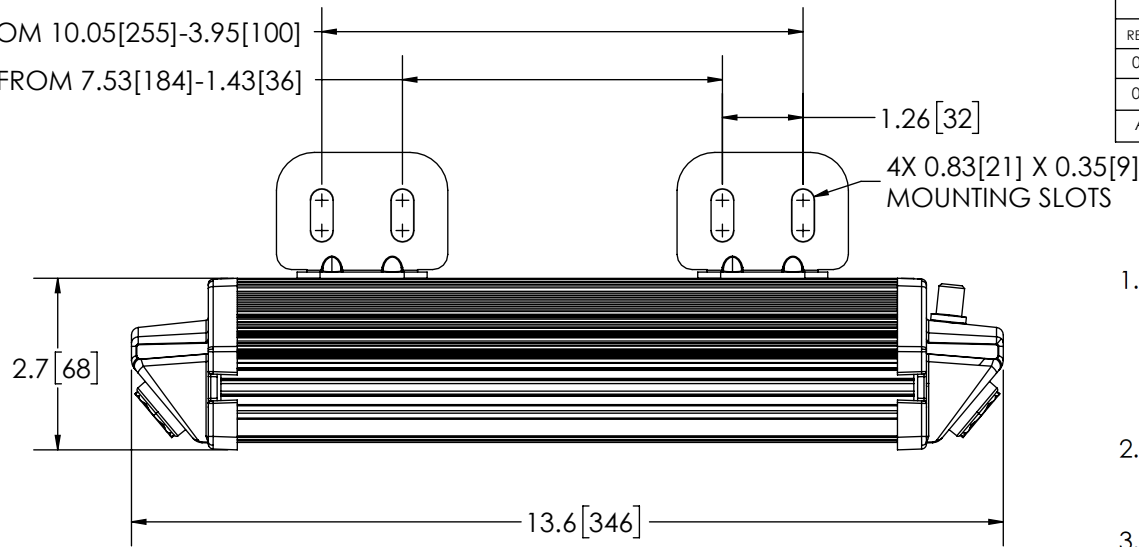
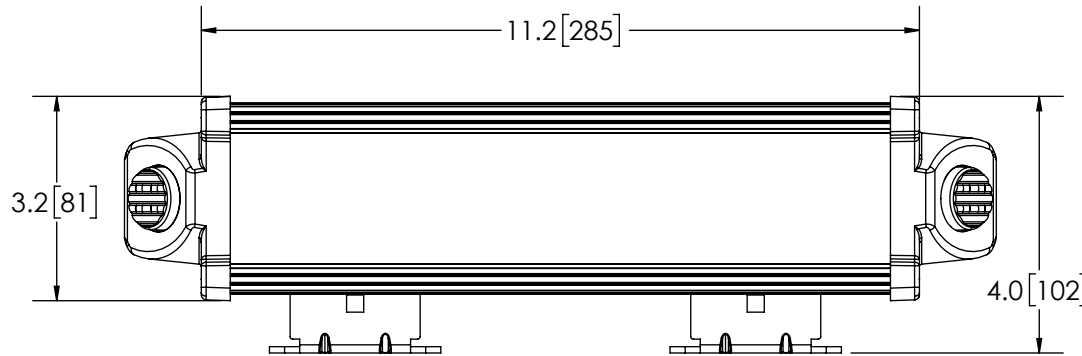


VARIES FROM 10.05[255]-3.95[100]

VARIES FROM 7.53[184]-1.43[36]



TOP VIEW



FRONT VIEW

NOTES:

- CABLE NOT SHOWN FOR CLARITY:
6-20 AWG CONDUCTOR CABLE
BLACK- GROUND(-)
RED - POSITIVE(+)
GREEN - CENTER WORKLIGHT(+)
WHITE - WARNING LIGHT(+)
BLUE - FLASH PATTERN SELECT(-), DIM ON WARNING PATTERN ONLY(+)
YELLOW - SYNC
- CABLE DIMENSION IS 30.50 ± 1.00[775 ± 25] FROM CABLE EXIT TO END OF WIRES
- ROHS COMPLIANT
- DIMENSIONS IN INCHES[MILLIMETERS (FOR REFERENCE)]

REVISION HISTORY		
REV.	DESCRIPTION	DATE
02	REVISED PER EL0157	2019-12-10
03	REVISED PER EL0157	2019-12-13
A	INITIAL RELEASE PER EL0157	2020-02-07

SPECIFICATIONS

- CERTIFICATIONS: SAE PENDING; IP67
Note: Unique components, accessories, and hardware kits are not typically included in the Product Certification Test Protocols. Unless otherwise Specified, the Product Certifications referred to herein are predicated upon the base product model configuration.
- FLASH MODE: SINGLE : 75 ± 5 FLASHES PER MINUTE
SINGLE : 375 ± 5 FLASHES PER MINUTE
DOUBLE : 75 ± 5 FLASHES PER MINUTE
- VOLTAGE (NOMINAL): 12-24 VDC
- VOLTAGE (EXTREME): 9.0-32 VDC
- CURRENT (PEAK): 3.26A (@ 12 VDC NOMINAL)
- POWER (MAXIMUM): 41.7W (@ 12 VDC NOMINAL)
- TEMPERATURE RANGE: -40°F (-40°C) TO 158°F (70°C)
- CONNECTION: 6-20 AWG CABLE
- MOUNTING: BRACKET MOUNT
- BASE MATERIAL: ALUMINUM
- LENS MATERIAL: POLYCARBONATE, UV STABILIZED
- PRODUCT WEIGHT: 4.12 LBS (1.85 Kg)

COLOR CHART	
FGS. NO.	COLOR
CD9215AW	AMBER/WHITE
CD9215BW	BLUE/WHITE
CD9215RB	RED/BLUE
CD9215RW	RED/WHITE

PROPRIETARY AND CONFIDENTIAL INFORMATION
THIS DRAWING AND THE DESIGN AND OTHER INFORMATION DISCLOSED HEREIN ARE THE PROPERTY OF ELECTRONIC CONTROLS COMPANY AND/OR ITS ECCO SAFETY GROUP AFFILIATES ("CODE3") AND IS ISSUED IN CONFIDENCE TO RECIPIENT FOR ENGINEERING INFORMATION PURPOSES ONLY. THIS DRAWING AND THE DESIGN AND OTHER INFORMATION DISCLOSED HEREIN MAY NOT BE USED, COPIED, REPRODUCED OR OTHERWISE DISCLOSED IN PART OR IN WHOLE TO THIRD PARTIES OR USED FOR ANY OTHER PURPOSE WITHOUT PRIOR CODE3 WRITTEN CONSENT. CODE3 RESERVES ALL PATENT, COPYRIGHT, TRADEMARK AND OTHER PROPRIETARY RIGHTS TO THIS DOCUMENT, INCLUDING ALL DESIGN, MANUFACTURING, REPRODUCTION, USE AND SALES RIGHTS THERETO. THIS DRAWING IS SUBJECT TO RECALL BY CODE3 AT ANY TIME, AND YOUR POSSESSION AND/OR USE CONSTITUTES ACCEPTANCE OF THESE TERMS. ©2019 ELECTRONIC CONTROLS COMPANY

SCALE 1:3		APPROVALS	DATE
CAD GENERATED DRAWING DO NOT MANUALLY UPDATE. MODEL REFERENCED:01		DRAWN BY MDH	2019-12-13
		CHECKED ABB	2019-12-17
TOLERANCES ARE IN INCHES AND MILLIMETERS TOLERANCES UNLESS OTHERWISE STATED ARE:		MECH. ENG. JLA	2019-12-13
		ELEC. ENG. SPO	2019-12-17
MILLIMETERS DECIMALS XX. ± 1.0mm XX.X ± 0.5mm	INCHES DECIMALS X.X ± 0.1 X.XX ± 0.04 X.XXX ± 0.02	ANGLES ± 0.5°	TEST ENG. RM 2019-12-19
		FRACTIONS ± 1/64	SALES. MD 2020-01-02
THIRD ANGLE PROJECTION			
		Electronically Controlled Use Latest Copy	

 www.code3esg.com Americas (314) 426-2700 Europe +44 (0)113 239 1111 Asia Pacific +61 (0)7 32937900		135 DEG WARN-WORK LIGHT COMBO, 12-24V	
		CUSTOMER PART NO. SEE CHART	PRODUCT SERIES: CD9200
SIZE: A	DWG. NO. CD9215XX	REV. A	
SHEET 1 OF 1		Project: EL0157	Date Created: 2019-11-25