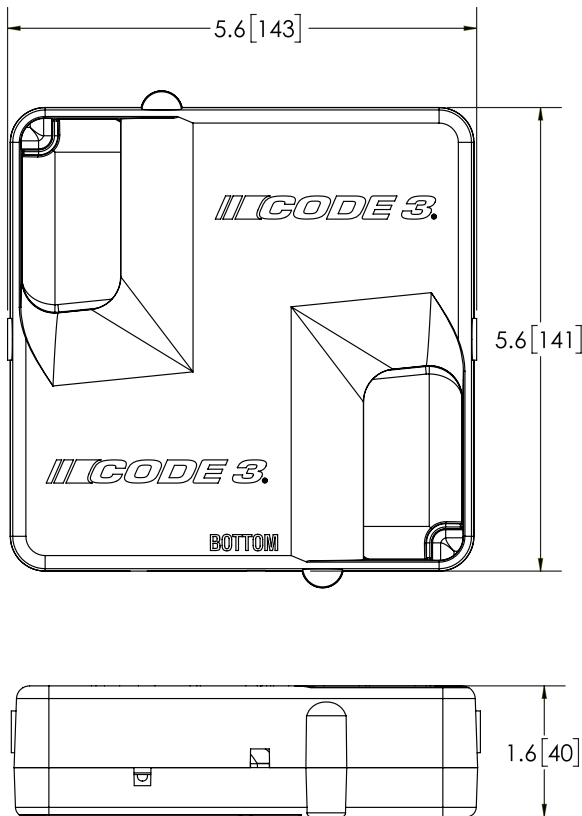


C3900 SERIES

INDUSTRY LEADING THIN DESIGN



The C3900 Series speaker offers an advanced, low-profile design with a 40% decrease in depth compared to leading competitors. Mount the C3900 on multiple vehicle surfaces, even behind the grille, without compromising dB levels. This speaker offers uncompromised durability coupled with the highest sound pressure on the market when paired with any Code 3 siren.



VOLTS	12V
WATTS	100W
DIMS	5.6" H x 5.6" L x 1.6" D 151mm H x 151mm L x 40mm D
CERTS	J1849, CA T13, IP66
DETAILS	<ul style="list-style-type: none"> Extremely compact, low profile design High efficiency Easy to install Aluminum housing For dual speaker applications, order C3900X in addition to model specific parts listed as single/dual bracket type

MODEL	DESCRIPTION
Siren + Bracket	
C3900CHR15	C3900 + Bracket: 2015+ Charger (Single/Dual)
C3900DUR	C3900 + Bracket: 2016+ Durango (Single/Dual)
C3900EXPNF150-SD	C3900 + Bracket: 2015+ F150, 2018+ Expedition (Single/Dual)
C3900FUS-DS	C3900 + Bracket: 2017+ Ford Fusion (Driver Side)
C3900FUS-PS	C3900 + Bracket: 2017+ Ford Fusion (Passenger Side)
C3900L	C3900 + Bracket: Universal "L" Bracket
C3900-PIU-SD	C3900 + Bracket: 2015-2019 PIU (Single/Dual)
C3900TH17	C3900 + Bracket: 2017-2020 Tahoe (Single/Dual)
C3900SLV19	C3900 + Bracket: 2019+ Silverado (Single/Dual)
C3900U	C3900 + Bracket: Universal 'U' Bracket
Siren Only	
C3900X	C3900 (No Bracket)



CZ0142
Siren Bracket
2015+ F150, 2018+ EXPEDITION
SINGLE/DUAL



CZ0170
Siren Bracket
UNIVERSAL - 'U' BRACKET



SPKR-BKT-DS-PIU20
Siren Bracket
2020+ PIU DRIVER SIDE



SPKR-BKT-PS-PIU20
Siren Bracket
2020+ FORD PIU PASSENGER