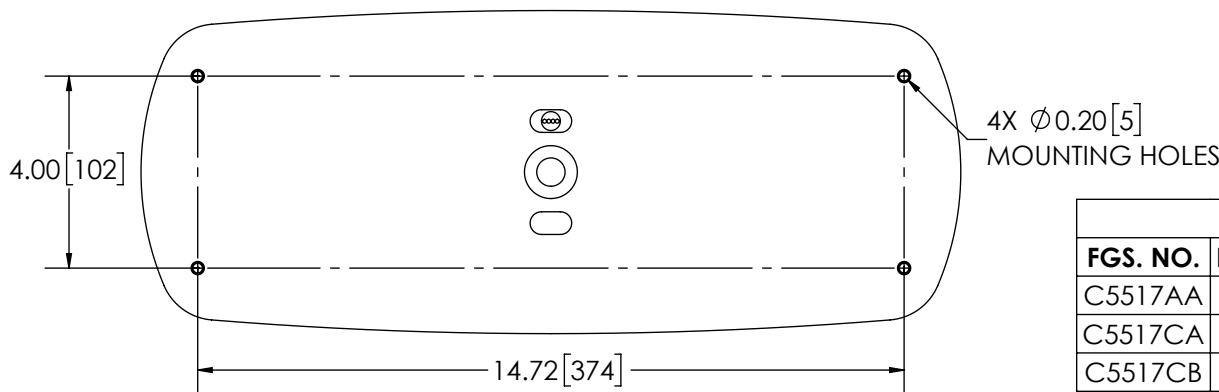
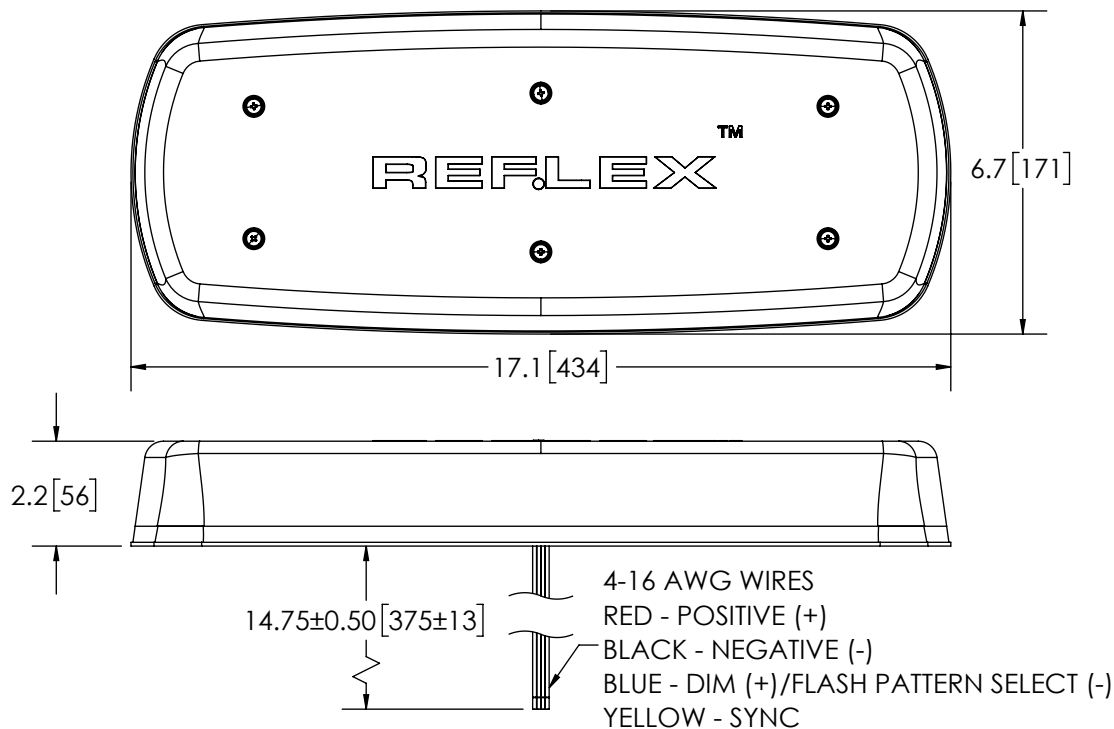


REVISION HISTORY

REV.	DESCRIPTION	DATE
03	REVISED PER EP0176	2023-08-07
04	REVISED PER EP0176	2023-08-23
A	INITIAL RELEASE PER EP0176	2023-08-29

**SPECIFICATIONS**

- CERTIFICATIONS: ECE R10; SAE J845 (AUG 2021) (SEE CHART); CA Title 13 (SEE CHART) ; IP6K9K  
 Note: Unique components, accessories, and hardware kits are not typically Included in the Product Certification Test Protocols. Unless otherwise Specified, the Product Certifications referred to herein are predicated upon the base product model configuration.
- FLASH MODE: SINGLE : 75 ± 5 FLASHES PER MINUTE  
 SINGLE : 120 ± 5 FLASHES PER MINUTE  
 DOUBLE : 75 ± 5 FLASHES PER MINUTE
- VOLTAGE (NOMINAL): 12 to 24 VDC
- VOLTAGE (EXTREME): 10 to 30 VDC
- CURRENT (PEAK): 5.8A (@ 12 VDC NOMINAL)
- POWER (MAXIMUM): 74.2W (@ 12 VDC NOMINAL)
- TEMPERATURE RANGE: -22°F (-30°C) TO 158°F (70°C)
- CONNECTION: 4 - 16 AWG WIRES
- MOUNTING: 4 BOLT
- BASE MATERIAL: POLYCARBONATE, BLACK
- LENS MATERIAL: POLYCARBONATE, UV STABILIZED
- PRODUCT WEIGHT: 3.2 LBS (1.44 Kg)



**FGS PRODUCT CHART**

FGS. NO.	LENS COLOR	LED COLOR	J845 (AUG 2021)	TITLE 13
C5517AA	AMBER	AMBER	CLASS 1A: AMB	CLASS B; AMB
C5517CA	CLEAR	AMBER	CLASS 1A: AMB	CLASS B; AMB
C5517CB	CLEAR	BLUE	CLASS 1A: BLUE	CLASS B: BLUE
C5517CR	CLEAR	RED	CLASS 1A: RED	CLASS B: RED

- NOTES:
- ROHS COMPLIANT
  - DIMENSIONS IN INCHES[MILLIMETERS (FOR REFERENCE)]

PROPRIETARY AND CONFIDENTIAL INFORMATION

THIS DRAWING AND THE DESIGN AND OTHER INFORMATION DISCLOSED HEREIN ARE THE PROPERTY OF ELECTRONIC CONTROLS COMPANY AND/OR ITS ECCO SAFETY GROUP AFFILIATES ("CODE3") AND IS ISSUED IN CONFIDENCE TO RECIPIENT FOR ENGINEERING INFORMATION PURPOSES ONLY. THIS DRAWING AND THE DESIGN AND OTHER INFORMATION DISCLOSED HEREIN MAY NOT BE USED, COPIED, REPRODUCED OR OTHERWISE DISCLOSED IN PART OR IN WHOLE TO THIRD PARTIES OR USED FOR ANY OTHER PURPOSE WITHOUT PRIOR CODE3 WRITTEN CONSENT. CODE3 RESERVES ALL PATENT, COPYRIGHT, TRADEMARK AND OTHER PROPRIETARY RIGHTS TO THIS DOCUMENT, INCLUDING ALL DESIGN, MANUFACTURING, REPRODUCTION, USE AND SALES RIGHTS THERETO. THIS DRAWING IS SUBJECT TO RECALL BY CODE3 AT ANY TIME, AND YOUR POSSESSION AND/OR USE CONSTITUTES ACCEPTANCE OF THESE TERMS. ©2023 ELECTRONIC CONTROLS COMPANY

SCALE 1:4		APPROVALS	DATE
CAD GENERATED DRAWING DO NOT MANUALLY UPDATE.		DRAWN BY AH	2023-08-23
TOLERANCES ARE IN INCHES, AND MILLIMETERS TOLERANCES UNLESS OTHERWISE STATED ARE:		CHECKED BTK	2023-08-24
MILLIMETERS DECIMALS XX ± 1.0mm XX.X ± 0.5mm	INCHES DECIMALS X.X ± 0.1 X.XX ± 0.04 X.XXX ± 0.02	MECH. ENG.	
	ANGLES ± 0.5°	ELEC. ENG. WH	2023-08-29
	FRACTIONS ± 1/64	TEST ENG. JRT	2023-08-29
		SALES.	
THIRD ANGLE PROJECTION			

**CODE 3.**  
 www.code3esg.com  
 Americas (314) 426-2700 | Europe +44 (0)113 239 1111 | Asia Pacific +61 (0)7 32937900

**C3 LED MICROBAR, 17", 12-24V**

CUSTOMER PART NO.  
**SEE CHART**

SIZE: A	DWG. NO. C5517X	REV. A
Electronically Controlled Use Latest Copy		
SHEET 1 OF 1	Project: EP0176	Date Created: 2023-07-25