

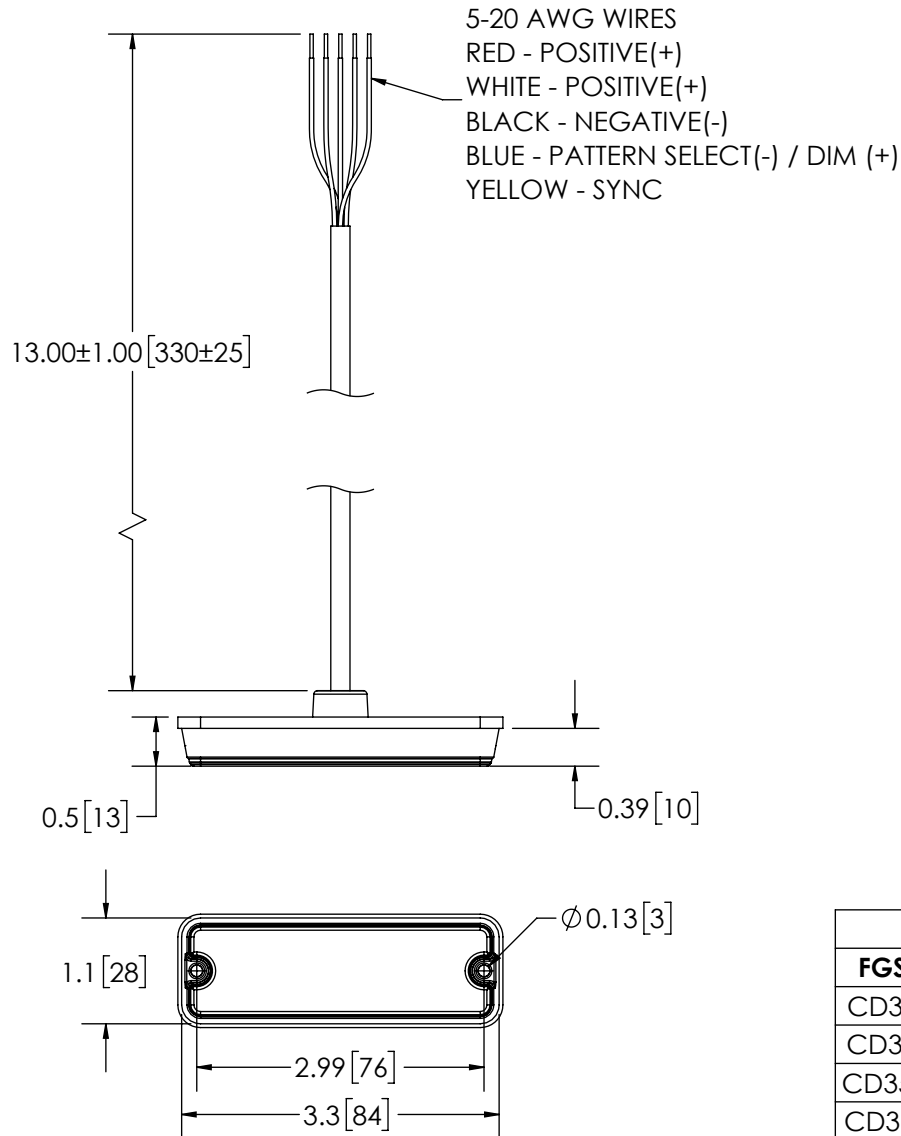
REVISION HISTORY		
REV.	DESCRIPTION	DATE
03	REVISED PER EL0237	2021-10-26
04	REVISED PER EL0237	2021-11-09
A	INITIAL RELEASE PER EL0237	2022-04-13

SPECIFICATIONS

- CERTIFICATIONS: ECE R10; AMECA/SAE J595 (MAR 2014) CLASS 1; CA Title 13 (SEE CHART) ; Reg 65 CertE6 XA1 000422, XB1 000423;
Note: Unique components, accessories, and hardware kits are not typically Included in the Product Certification Test Protocols. Unless otherwise Specified, the Product Certifications referred to herein are predicated upon the base product model configuration.
- FLASH MODE: SINGLE : 75 ± 5 FLASHES PER MINUTE
SINGLE : 375 ± 5 FLASHES PER MINUTE
DOUBLE : 75 ± 5 FLASHES PER MINUTE
- VOLTAGE (NOMINAL): 12-24 VDC
- VOLTAGE (EXTREME): 9.0-32 VDC
- CURRENT (PEAK): SEE CHART(@ 12 VDC NOMINAL)
- POWER (MAXIMUM): SEE CHART(@ 12 VDC NOMINAL)
- TEMPERATURE RANGE: -40°F (-40°C) TO 149°F (65°C)
- CONNECTION: 5 - 20 AWG WIRES
- MOUNTING: 2 BOLT
- BASE MATERIAL: ALUMINUM
- LENS MATERIAL: POLYCARBONATE
- PRODUCT WEIGHT: 0.12 LBS (0.05 Kg)

FGS. PRODUCT CHART

FGS. NO.	COLOR	CURRENT (PEAK) A	POWER (MAX) W	TITLE 13
CD3511AB	AMB/BLU	0.94	12.1	CLASS B; AMB/BLU
CD3511AR	AMB/RED	0.91	11.6	CLASS B; AMB/RED
CD3511AW	AMB/WHT	0.9	11.5	CLASS B; AMB
CD3511BW	BLU/WHT	0.94	12.1	CLASS B; BLUE
CD3511RB	RED/BLU	0.94	12.1	CLASS B; RED/BLU
CD3511RW	RED/WHT	0.91	11.6	CLASS B; RED



MOUNTING DISCLAIMER
 MOUNTING MEASUREMENT IS FOR REFERENCE ONLY.
 MEASURE BEFORE DRILLING.

NOTES:

- ROHS AND REACH COMPLIANT
- DIMENSIONS IN INCHES[MILLIMETERS (FOR REFERENCE)]

PROPRIETARY AND CONFIDENTIAL INFORMATION

THIS DRAWING AND THE DESIGN AND OTHER INFORMATION DISCLOSED HEREIN ARE THE PROPERTY OF ELECTRONIC CONTROLS COMPANY AND/OR ITS ECCO SAFETY GROUP AFFILIATES ("CODE3") AND IS ISSUED IN CONFIDENCE TO RECIPIENT FOR ENGINEERING INFORMATION PURPOSES ONLY. THIS DRAWING AND THE DESIGN AND OTHER INFORMATION DISCLOSED HEREIN MAY NOT BE USED, COPIED, REPRODUCED OR OTHERWISE DISCLOSED IN PART OR IN WHOLE TO THIRD PARTIES OR USED FOR ANY OTHER PURPOSE WITHOUT PRIOR CODE3 WRITTEN CONSENT. CODE3 RESERVES ALL PATENT, COPYRIGHT, TRADEMARK AND OTHER PROPRIETARY RIGHTS TO THIS DOCUMENT, INCLUDING ALL DESIGN, MANUFACTURING, REPRODUCTION, USE AND SALES RIGHTS THERETO. THIS DRAWING IS SUBJECT TO RECALL BY CODE3 AT ANY TIME, AND YOUR POSSESSION AND/OR USE CONSTITUTES ACCEPTANCE OF THESE TERMS. ©2021 ELECTRONIC CONTROLS COMPANY

SCALE 1:2		APPROVALS	DATE
CAD GENERATED DRAWING DO NOT MANUALLY UPDATE.		DRAWN BY JW	2021-11-09
TOLERANCES ARE IN INCHES, AND MILLIMETERS TOLERANCES UNLESS OTHERWISE STATED ARE:		CHECKED ABD	2021-11-09
MILLIMETERS DECIMALS XX. ± 1.0mm XX.X ± 0.5mm	INCHES DECIMALS X.X ± 0.1 X.XX ± 0.04 X.XXX ± 0.02	MECH. ENG. JLA	2021-11-09
		ELEC. ENG. SPO	2021-11-11
		TEST ENG. WH	2022-02-21
		SALES.	
THIRD ANGLE PROJECTION			
Electronically Controlled Use Latest Copy			

www.code3esg.com

Americas (314) 426-2700 | Europe +44 (0)113 239 1111 | Asia Pacific +61 (0)7 32937900

DIRECTIONAL, LOWPROF, 12LED, 12-24V, SC

CUSTOMER PART NO.
SEE CHART

SIZE: A DWG. NO. CD3511XX REV. A

Project: EL0237 Date Created: 2021-06-17