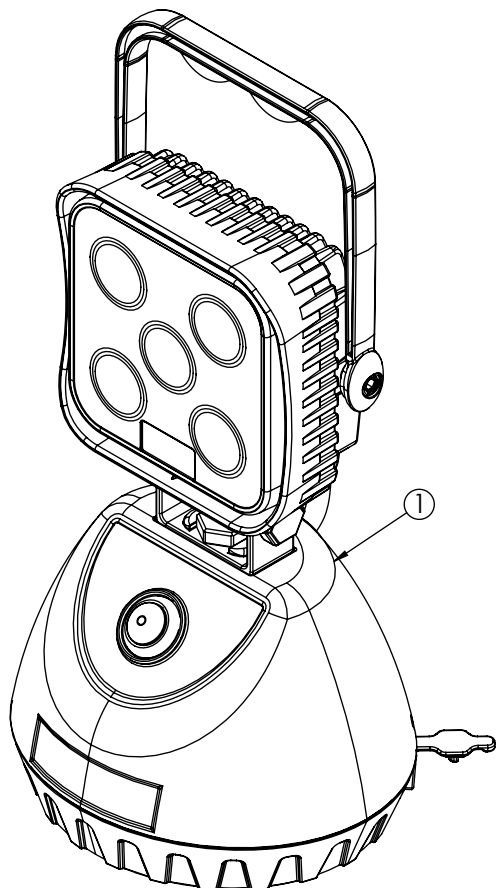


REVISION HISTORY		
REV.	DESCRIPTION	DATE
02	REVISED PER CI0018	2016-02-17
A	INITIAL RELEASE PER CI0018	2016-02-25
B	REVISED PER EC4751	2020-03-02



ITEM NO.	QTY	PART NUMBER	DESCRIPTION	COMMENTS
1	1	140-2461-02	ASSY,SUB,CW2461-CAMO	
2	1	905-2262-00	LABEL,PRODUCT,CW2461-CAMO	NOT SHOWN
3	1	910-0033-00	LABEL,WARNING,RISK OF FIRE	NOT SHOWN
4	1	950-0144-00	BOX,WHITE,4.25x4.88x8.75,CW2461-CAMO	NOT SHOWN
5	1	690-0872-00	ASSY,CABLE,MICRO USB,EW2561	NOT SHOWN
6	1	908-0121-00	LABEL,DECAL,1.75x0.42,CW2461-CAMO	NOT SHOWN
7	1	920-0388-01	SHEET,INSTRUCTION,CW2461	NOT SHOWN

APPROVALS		DATE
DRAWN BY	BTK	2020-02-27
CHECKED	ART	2020-02-28
MECH. ENG.		
ELEC. ENG.		
MFG. ENG.		



United States
1-800-635-5900
Americas@eccogroup.com

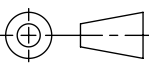
United Kingdom
+44 (0)113 237 5340
Europe@eccogroup.com

Australia
+61 (0)3 63322444
AsiaPacific@eccogroup.com

WORKLAMP,5LED,SQ,FLD,CAMO,12-24V

SIZE: A	DWG. NO. 100-CW2461-CAMO	REV. B
SHEET 1 OF 1		Project: CL0018
Electronically Controlled Use Latest Copy		Date Created: 2015-10-23

SCALE 1:2
CAD GENERATED DRAWING
DO NOT MANUALLY UPDATE.
MODEL REFERENCED: B



PROPRIETARY AND CONFIDENTIAL INFORMATION

THIS DRAWING AND THE DESIGN AND OTHER INFORMATION DISCLOSED HEREIN ARE THE PROPERTY OF ELECTRONIC CONTROLS COMPANY AND/OR ITS ECCO SAFETY GROUP AFFILIATES ("ESG") AND IS ISSUED IN CONFIDENCE TO RECIPIENT FOR ENGINEERING INFORMATION PURPOSES ONLY. THIS DRAWING AND THE DESIGN AND OTHER INFORMATION DISCLOSED HEREIN MAY NOT BE USED, COPIED, REPRODUCED OR OTHERWISE DISCLOSED IN PART OR IN WHOLE TO THIRD PARTIES OR USED FOR ANY OTHER PURPOSE WITHOUT PRIOR ESG WRITTEN CONSENT. ESG RESERVES ALL PATENT, COPYRIGHT, TRADEMARK AND OTHER PROPRIETARY RIGHTS TO THIS DOCUMENT, INCLUDING ALL DESIGN, MANUFACTURING, REPRODUCTION, USE AND SALES RIGHTS THERETO. THIS DRAWING IS SUBJECT TO RECALL BY ESG AT ANY TIME AND YOUR POSSESSION AND/OR USE CONSTITUTES ACCEPTANCE OF THESE TERMS. ©2015 ELECTRONIC CONTROLS COMPANY