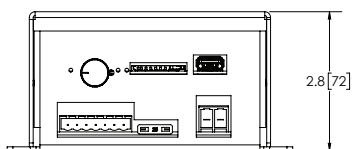
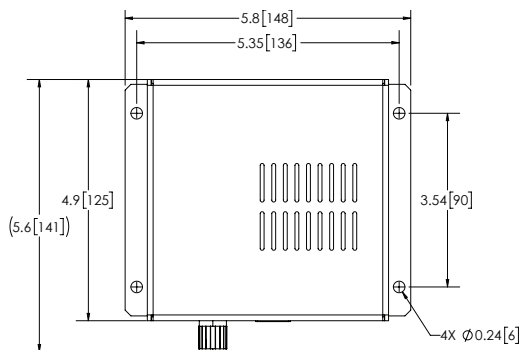


PRMAMP PROGRAMMABLE VOICE AMPLIFIER



Code 3's PRMAMP Programmable Voice Amplifier provides first responders with up to five programmed messages to communicate commonly used or critical messages such as canine release, tornado warnings or to leave the vicinity. The PRMAMP amplifier can be used with or without a siren and supports dual speaker outputs. For use with a siren, the PRMAMP mounts in line with the siren and speaker to alternate between siren tones and amplifier messages. Messages can be fully customized to each vehicle or department using standard .wav files.



VOLTS	12-24V
WATTS	300W
DIMS	2.8" H x 5.8" L x 5.6" D 71mm H x 147mm L x 142mm D
DETAILS	<ul style="list-style-type: none"> Programmed via USB or SD card Program up to 5 voice messages Connects in line with any siren/speaker combo Supports dual-speaker outputs Can be used without additional siren Volume adjustment knob on unit

MODEL	TYPE
PRMAMP	Programmable Voice Amplifier