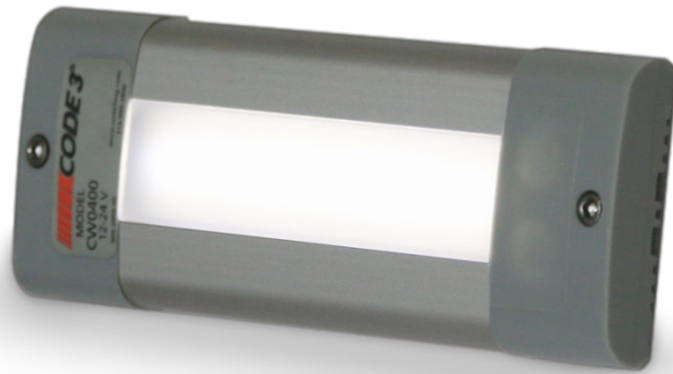
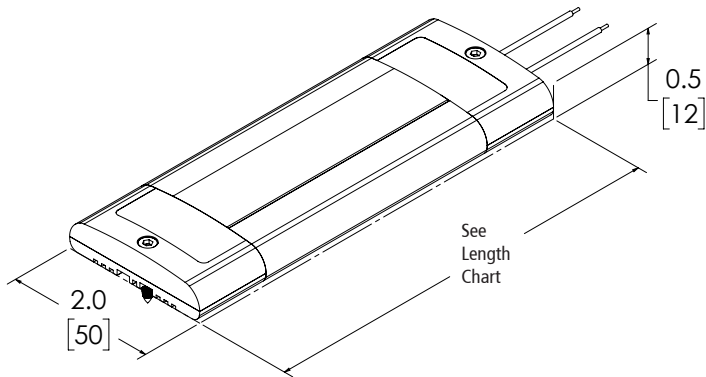


CW0400 SERIES SURFACE MOUNT



CW0400

The 400 Series compartment light delivers exceptional output and saves space with its low-profile design. Dual-color models have an integrated switch to quickly alternate between red and white lighting. Four lengths are available, each with an integrated on/off switch or hardwire capability.



VOLTS	12-24V
DIMS	2" H x 0.5" D 51mm H x 13mm D
CERTS	CE, R10, IP55, RoHS
DETAILS	<ul style="list-style-type: none"> ▪ Flood ▪ Compact and slim lights are only 0.5" (12mm) high when mounted

MODEL	LENGTH	TYPE	SWITCHED MODEL	ILLUMINATION COLORS
CW0400	5.4" 137mm	10 LED	CW0410	W
CW0400-WR	5.4" 137mm	10 LED	CW0410-WR	W, R
CW0401	11.8" 300mm	22 LED	CW0411	W
CW0401-WR	11.8" 300mm	22 LED	CW0411-WR	W, R
CW0402	17.7" 4,877mm	32 LED	CW0412	W
CW0402-WR	76.5" 1,943mm	32 LED	CW0412-WR	W, R