



Installation and Operation Instructions

C3900 SPEAKER MOUNT - 2015+ DODGE CHARGER FOR SINGLE AND DUAL SPEAKERS

Introduction:

The C3900 compact, slim profile speaker uses a (patent pending) dual speaker driver design to produce all the familiar siren tones (WAIL and YELP), as well as low frequency tones with the Code 3 Banshee siren. It is designed to be easily installed using both universal and vehicle specific mounting brackets and comes with a 5-year warranty. It meets SAE J1849 and California Title 13 requirements when used with Code 3 sirens. Code 3 speakers are certified with Code 3 Sirens as a system and different siren Manufacturers could cause component damage or reduce sound pressure.

Contents:

Specifications.....01
 Installation and Mounting.....02-03
 Warranty.....04


Specifications*:

*specification as for a single C3900 speaker

	w/o Bracket	w/ Bracket
Power:	100 Watt	
Impedance:	11 Ohm	
Weight:	2.8 lbs	4.5 lbs
Dimensions:	1.61 in(L)	2.78 in(L)
	5.86 in(W)	8.28 in(W)
	5.96 in(H)	8.19 in(H)




WARNING!
Sirens produce loud sounds that may damage hearing




- Wear hearing protection when testing
- Use siren only for emergency response
- Roll up windows when siren is operating
- Avoid exposure to the siren sound outside of vehicle

IMPORTANT! Read all instructions before installing and using. Installer: This manual must be delivered to the end user.

WARNING!
Failure to install or use this product according to manufacturers recommendations may result in property damage, serious injury, and/or death to those you are seeking to protect!



Do not install and/or operate this safety product unless you have read and understand the safety information contained in this manual.



1. Proper installation combined with operator training in the use, care, and maintenance of emergency warning devices are essential to ensure the safety of emergency personnel and the public.
2. Emergency warning devices often require high electrical voltages and/or currents. Exercise caution when working with live electrical connections.
3. This product must be properly grounded. Inadequate grounding and/or shorting of electrical connections can cause high current arcing, which can cause personal injury and/or severe vehicle damage, including fire.
4. Proper placement and installation is vital to the performance of this warning device. Install this product so that output performance of the system is maximized and the controls are placed within convenient reach of the operator so that s/he can operate the system without losing eye contact with the roadway.
5. It is the responsibility of the vehicle operator to ensure daily that all features of this product work correctly. In use, the vehicle operator should ensure the projection of the warning signal is not blocked by vehicle components (i.e., open trunks or compartment doors), people, vehicles or other obstructions.
6. The use of this or any other warning device does not ensure all drivers can or will observe or react to an emergency warning signal. Never take the right-of-way for granted. It is your responsibility to be sure you can proceed safely before entering an intersection, drive against traffic, respond at a high rate of speed, or walk on or around traffic lanes.
7. This equipment is intended for use by authorized personnel only. The user is responsible for understanding and obeying all laws regarding emergency warning devices. Therefore, the user should check all applicable city, state, and federal laws and regulations. The manufacturer assumes no liability for any loss resulting from the use of this warning device.

Installation and Mounting:

Installation of the C3900 Slim Speaker in the 2015+ Dodge Charger is much easier if the entire front fascia of the Charger is removed before the installation begins but it is not necessary. The speaker may be installed without removing the fascia as follows.

Step 1. Raise the vehicle on a rack and remove the black plastic splash guard that is underneath the front fascia of the Charger to gain access to the space between the back of the grill and the air conditioner coil. Set the plastic splash guard aside. See the picture of the splash guard in Figure 1.

Step 2. Locate the front bumper/facia cross member. See the picture of the cross member in Figure 2.

Step 3. Refer to the exploded view & parts list for bracket identification. Position the top speaker mounting bracket Part Number T17202 onto the Charger's bumper cross member in the center of the grill or as desired and as shown in Figure 3. Position the bottom speaker mounting bracket part number T17201 up against the underside of the Charger's bumper Cross member and as shown in Figure 3 making sure the slots in the bottom bracket engage the studs in the top bracket.

Step 4. Using the bracket as a template, mark the location of the center of the square hole in the bottom bracket on the underside of the bumper cross member (See Figure 3 again). Remove both brackets and use a center punch to dimple the cross member at the center of the mark to keep the drill from walking off of location. Depending on the desired location you may be marking and drilling through a plastic portion of the grill before drilling through the metal bumper cross member. Drill an 11/32" hole through both levels of the bumper cross member as shown in Figure 3. Caution: Make sure to drill the hole as straight as possible as shown and noted in Figure 3.

Note: You may need to loosen the lower outer corners of the vehicles front fascia or the lower grill to allow the grill to be pushed out of the way enough to facilitate drilling the hole straight through the cross member.

Step 5. Position the top and bottom brackets up against the cross member as shown in Figure 4. Make sure the slots in the bottom bracket engage around the studs in the top bracket. Feed the supplied 5/16"-18 X 2 1/2" long carriage bolt through the square hole in the bottom bracket, through the drilled holes in the cross member and finally through the slot in the top bracket. Slip the supplied 5/16" split lock washer and 5/16"-18 hex nut onto the carriage bolt. Hand tighten the nut as much as possible making sure the square portion of the carriage bolt is fully seated in the square hole in the bottom bracket. Tighten the nut with a wrench to fasten the brackets and clamp them to the cross member.

Step 6. Fasten the speaker/s to the 220-1100-00 speaker mounting plate using (2) of the supplied 1/4" split lock washers and (2) of the 1/4"-20 X 1 1/4" long Philips pan head machine screws to mount each speaker. See Figure 5 for the single speaker version and see Figure 6 for the dual speaker version. Note: Make sure the speakers are mounted in the correct orientation with the word "BOTTOM" at the bottom of the assembly (See the Figures 5 and 6 for correct speaker orientation). Caution: Severe damage could occur to the speaker if it is not mounted in the proper orientation.

Step 7. Position the slotted flange of the speaker mount bracket over the threaded studs on the top bracket and thread (2) of the supplied 1/4"-20 hex keps nuts onto the studs to fasten the speaker bracket to the vehicle. See Figure-7. Tighten the hex nuts with a wrench.

Step 8. Route the wires as desired and replace the plastic lower fascia cover.

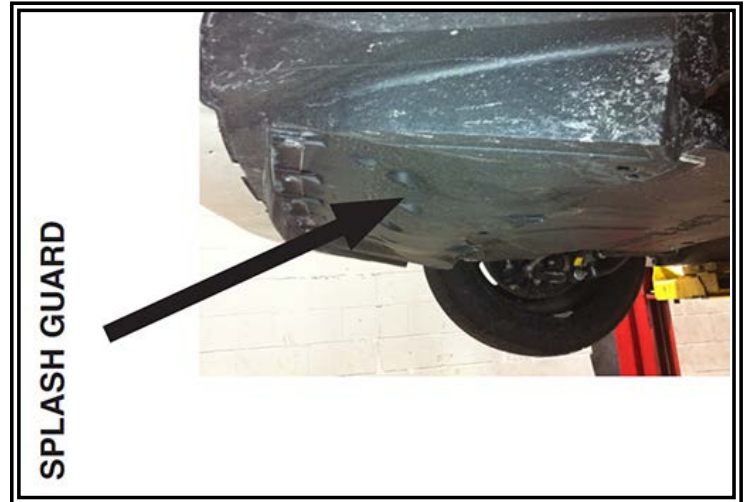


Figure 1



Figure 2

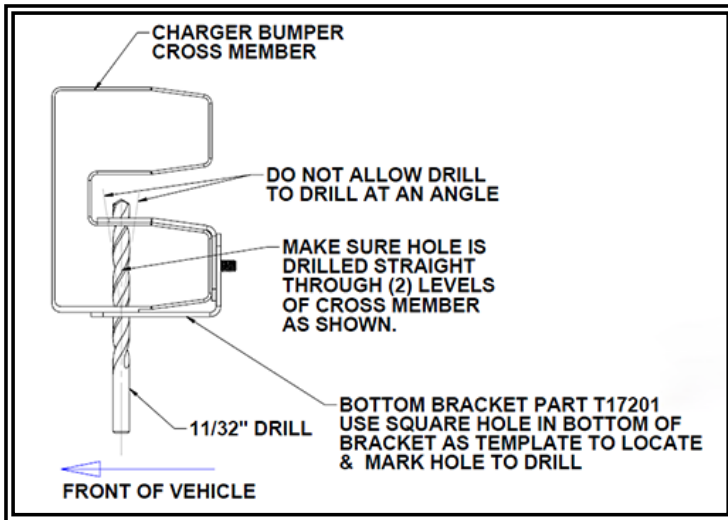


Figure 3

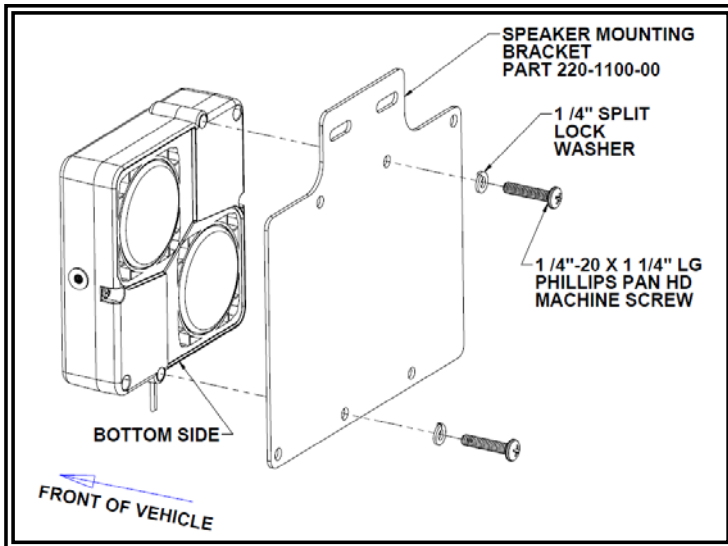


Figure 5

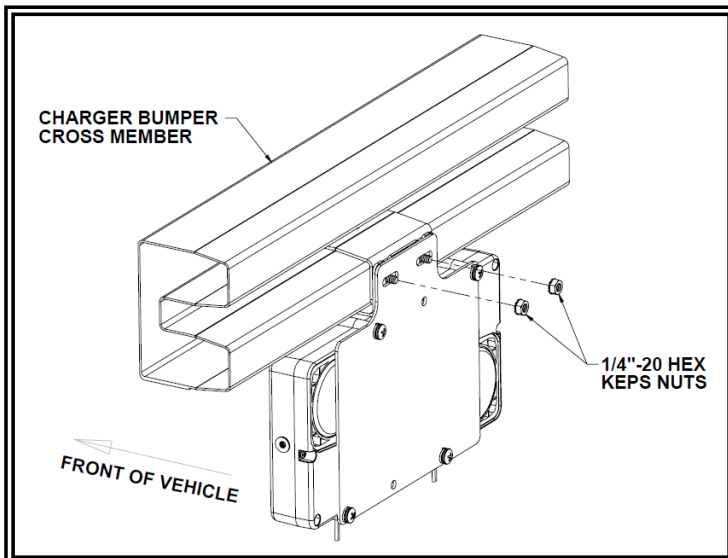


Figure 7

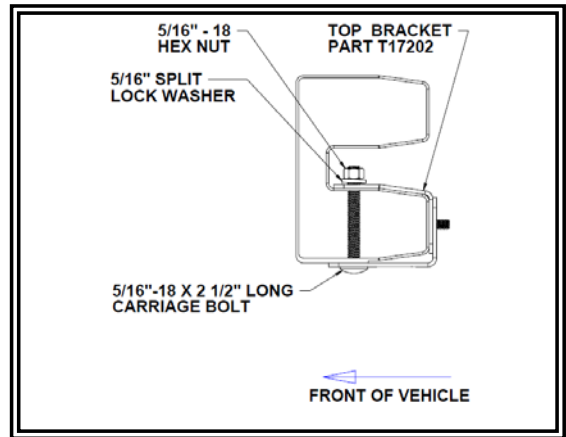


Figure 4

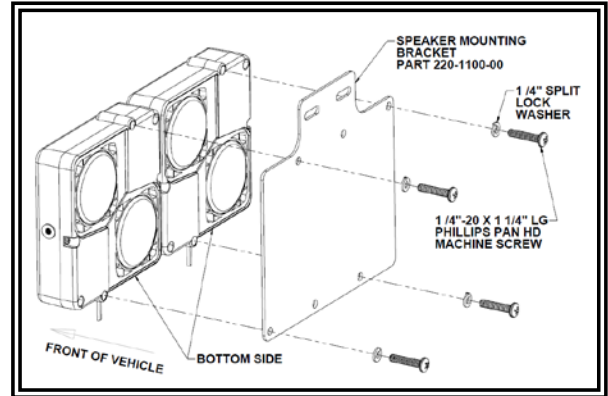


Figure 6

Parts List			
Item	Part #	Description	Qty.
1	T17201	Bottom Cross Member Mounting Bracket	1
2	T17202	Top Cross Member Mounting Bracket	1
3	T00244	5/16"-18 Hex Nut	1
4	T00245	5/16 Split Lock Washer	1
5	140-1533-00	100 Watt Slim Speaker	2
			1
			Dual Speaker
			Single Speaker
6	220-1100-00	Speaker Mounting Bracket/Plate	1
7	T15105	1/4"-20 Hex Keps Nut	1
8	T03745	1/4" Split Lock Washer	4
			2
			Single Speaker
9	326-0126-00	1/4"-20 x 1 1/4" Phillips Pan Head MS	4
			2
			Single Speaker
10	T06716	5/16"-18 x 2 1/2" Carriage Bolt	1

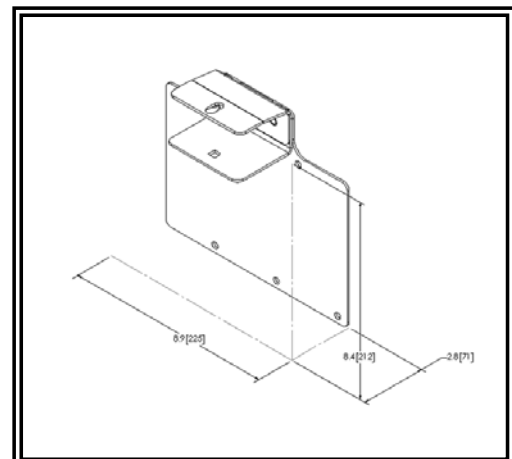


Figure 8

Manufacturer Limited Warranty Policy:

Manufacturer warrants that on the date of purchase this product will conform to Manufacturer's specifications for this product (which are available from the Manufacturer upon request). This Limited Warranty extends for Sixty (60) months from the date of purchase.

DAMAGE TO PARTS OR PRODUCTS RESULTING FROM TAMPERING, ACCIDENT, ABUSE, MISUSE, NEGLIGENCE, UNAPPROVED MODIFICATIONS, FIRE OR OTHER HAZARD; IMPROPER INSTALLATION OR OPERATION; OR NOT BEING MAINTAINED IN ACCORDANCE WITH THE MAINTENANCE PROCEDURES SET FORTH IN MANUFACTURER'S INSTALLATION AND OPERATING INSTRUCTIONS Voids THIS LIMITED WARRANTY.

Exclusion of Other Warranties:

MANUFACTURER MAKES NO OTHER WARRANTIES, EXPRESS OR IMPLIED. THE IMPLIED WARRANTIES FOR MERCHANTABILITY, QUALITY OR FITNESS FOR A PARTICULAR PURPOSE, OR ARISING FROM A COURSE OF DEALING, USAGE OR TRADE PRACTICE ARE HEREBY EXCLUDED AND SHALL NOT APPLY TO THE PRODUCT AND ARE HEREBY DISCLAIMED, EXCEPT TO THE EXTENT PROHIBITED BY APPLICABLE LAW. ORAL STATEMENTS OR REPRESENTATIONS ABOUT THE PRODUCT DO NOT CONSTITUTE WARRANTIES.

Remedies and Limitation of Liability:

MANUFACTURER'S SOLE LIABILITY AND BUYER'S EXCLUSIVE REMEDY IN CONTRACT, TORT (INCLUDING NEGLIGENCE), OR UNDER ANY OTHER THEORY AGAINST MANUFACTURER REGARDING THE PRODUCT AND ITS USE SHALL BE, AT MANUFACTURER'S DISCRETION, THE REPLACEMENT OR REPAIR OF THE PRODUCT, OR THE REFUND OF THE PURCHASE PRICE PAID BY BUYER FOR NON-CONFORMING PRODUCT. IN NO EVENT SHALL MANUFACTURER'S LIABILITY ARISING OUT OF THIS LIMITED WARRANTY OR ANY OTHER CLAIM RELATED TO THE MANUFACTURER'S PRODUCTS EXCEED THE AMOUNT PAID FOR THE PRODUCT BY BUYER AT THE TIME OF THE ORIGINAL PURCHASE. IN NO EVENT SHALL MANUFACTURER BE LIABLE FOR LOST PROFITS, THE COST OF SUBSTITUTE EQUIPMENT OR LABOR, PROPERTY DAMAGE, OR OTHER SPECIAL, CONSEQUENTIAL, OR INCIDENTAL DAMAGES BASED UPON ANY CLAIM FOR BREACH OF CONTRACT, IMPROPER INSTALLATION, NEGLIGENCE, OR OTHER CLAIM, EVEN IF MANUFACTURER OR A MANUFACTURER'S REPRESENTATIVE HAS BEEN ADVISED OF THE POSSIBILITY OF SUCH DAMAGES. MANUFACTURER SHALL HAVE NO FURTHER OBLIGATION OR LIABILITY WITH RESPECT TO THE PRODUCT OR ITS SALE, OPERATION AND USE, AND MANUFACTURER NEITHER ASSUMES NOR AUTHORIZES THE ASSUMPTION OF ANY OTHER OBLIGATION OR LIABILITY IN CONNECTION WITH SUCH PRODUCT.

This Limited Warranty defines specific legal rights. You may have other legal rights which vary from jurisdiction to jurisdiction. Some jurisdictions do not allow the exclusion or limitation of incidental or consequential damages.

Product Returns:

If a product must be returned for repair or replacement*, please contact our factory to obtain a Return Goods Authorization Number (RGA number) before you ship the product to Code 3®, Inc. Write the RGA number clearly on the package near the mailing label. Be sure you use sufficient packing materials to avoid damage to the product being returned while in transit.

*Code 3®, Inc. reserves the right to repair or replace at its discretion. Code 3®, Inc. assumes no responsibility or liability for expenses incurred for the removal and /or reinstallation of products requiring service and/or repair.; nor for the packaging, handling, and shipping; nor for the handling of products returned to sender after the service has been rendered.



10986 North Warson Road
St. Louis, MO 63114

Technical Service

(314) 996-2800

c3_tech_support@code3esg.com

www.code3esg.com

An ECCO SAFETY GROUP™ Company

www.eccosafetygroup.com