

CD5031 SERIES

PIU GRILLE INSERT LIGHT

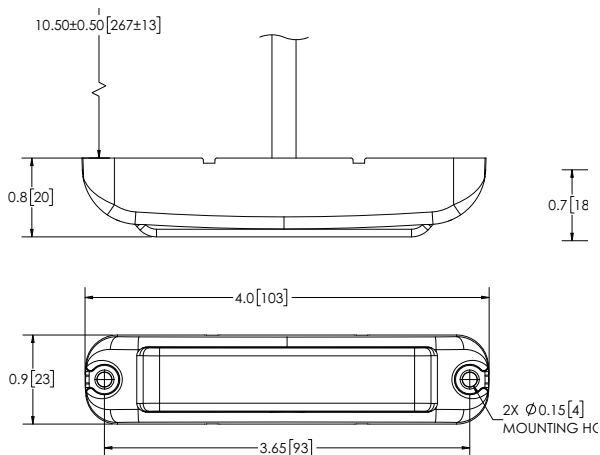


Code 3's CD5031 is a exterior warning light specifically designed to fit perfectly inside the Ford PIU grille. Its dual or tri-color LEDs provide exceptional output with combinations of amber, white, blue and red colors available. The bezel mount or stud mount options give flexibility when installing this light. Each LED color can be controlled independently. Features include clear lens and a black die cast base as well as a sync capability with Code 3's Chase™, MR6 and M180™ exterior lights.

VOLTS AMPS	12-24V 0.8A (Dual), 0.6A (Tri)
DIMS	0.6 H x 3.2 L x 0.9 D (No Bezel) 0.9 H x 4.0 L x 0.9 D (W/ Bezel)
FLASH PATTERNS	69
CERTS	CLASS I (SAE J595), CA T13, IP67, IP69, RoHS
DETAILS	<ul style="list-style-type: none"> • Clear lens with 12 dual or 18 tri-color LEDs • Multiple flash patterns with phase 1 and phase 2 syncing capabilities • Aluminum housing and polycarbonate lens • 2-bolt or stud mount with included bezel • Temperature range: -40°F to 149°F (-40°C to 65°C)
Replace	"_" with A = Amber, B = Blue, R = Red, W = White

MODEL	TYPE	ILLUMINATION COLORS
CD5031_ _	Dual, 12 LED, surface mount	AW, BW, RB, BW
CD5031_ _ _	Tri, 18 LED, surface mount	BAW, RAW, RBA, RBW

Bezel



No Bezel

