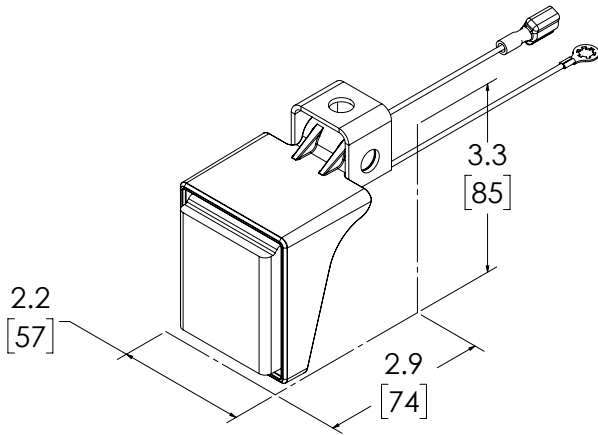


## INDEPENDENT TAKEDOWN

HIGH IMPACT & BRIGHT



This versatile LED-powered steady-burn Light can be used as additional front-end lighting, alley light, takedown, spotlight or scene light. Mount on virtually anywhere on the vehicle's surface with universal bracketing. Features include black aluminum die cast housing, high-intensity LEDs with focused light output, clear lens and a water-resistant design.



VOLTS   AMPS	12V   1.5A	
DIMS	2.5" H x 2.3" W x 3" D   64mm H x 58mm W x 76mm D	
DETAILS	<ul style="list-style-type: none"> <li>High intensity LEDs with clear lens</li> <li>Black aluminum die cast</li> </ul>	
MODEL	TYPE	ILLUMINATION COLORS
LTD901	Stead burn, clear lens	W