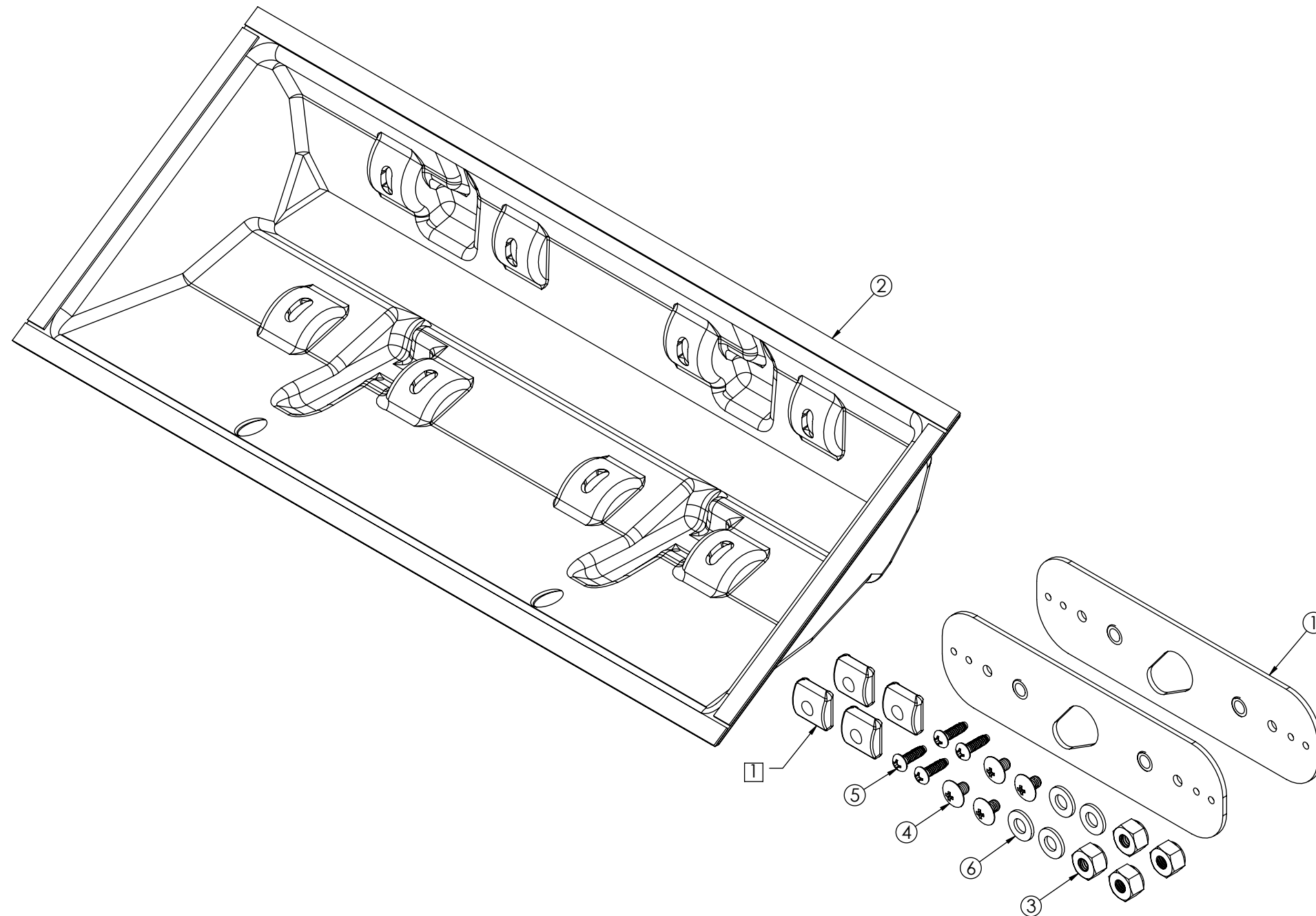


REVISION HISTORY		
REV.	DESCRIPTION	DATE
01	PRELIMINARY RELEASE PER EP0179	2023-11-21
A	INITIAL RELEASE PER EP0179	2023-11-27


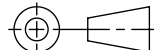


ITEM NO.	QTY.	DESCRIPTION	COMMENTS
1	2	BRACKET,SHEET,AL,WINDOW SHROUD	
2	1	ASSY,SUB,WS2L	
3	4	NUT,#8-32,HEX,NYLOC,BO,SS	
4	4	SCREW,M3.5-.6x5MM,RND,PHIL,SS	
5	4	SCREW,4-40X3/8",PAN,PHIL,BLUNT,TYPE F,BO	
6	4	WASHER,FLAT,#8,3/8OD,BO,SS	
7	6	TAPE,ADHESIVE,HOLE COVER,BLACK	NOT SHOWN
8	1	SHEET,INSTRUCTION,WINDOWSHROUD1L	NOT SHOWN
9	1	CASE (1000 PER) - POLYBAG 12" X 18", 1.5 MIL	NOT SHOWN
10	1	5 X 7 ZIPLOCK BAG	NOT SHOWN
11	1	2 x 3 ZIPLOC BAG - 2MIL CASE (1000 PER)	NOT SHOWN

NOTES
 1. PLASTIC WASHER SHOWN COMES ATTACHED TO WINDOW SHROUD HOUSING MOLDING

PROPRIETARY AND CONFIDENTIAL INFORMATION

THIS DRAWING AND THE DESIGN AND OTHER INFORMATION DISCLOSED HEREIN ARE THE PROPERTY OF ELECTRONIC CONTROLS COMPANY AND/OR ITS ECCO SAFETY GROUP AFFILIATES ("CODE3") AND IS ISSUED IN CONFIDENCE TO RECIPIENT FOR ENGINEERING INFORMATION PURPOSES ONLY. THIS DRAWING AND THE DESIGN AND OTHER INFORMATION DISCLOSED HEREIN MAY NOT BE USED, COPIED, REPRODUCED OR OTHERWISE DISCLOSED IN PART OR IN WHOLE TO THIRD PARTIES OR USED FOR ANY OTHER PURPOSE WITHOUT PRIOR WRITTEN CONSENT. CODE3 RESERVES ALL PATENT, COPYRIGHT, TRADEMARK AND OTHER PROPRIETARY RIGHTS TO THIS DOCUMENT, INCLUDING ALL DESIGN, MANUFACTURING, REPRODUCTION, USE AND SALES RIGHTS THEREOF. THIS DRAWING IS SUBJECT TO RECALL BY CODE3 AT ANY TIME, AND YOUR POSSESSION AND/OR USE CONSTITUTES ACCEPTANCE OF THESE TERMS. ©2023 ELECTRONIC CONTROLS COMPANY

SCALE 2:3	APPROVALS	DATE	 www.code3esg.com Americas (314) 426-2700 Europe +44 (0)113 239 1111 Asia Pacific +61 (0)7 32937900
CAD GENERATED DRAWING DO NOT MANUALLY UPDATE.	DRAWN BY BTK	2023-11-21	
TOLERANCES ARE IN INCHES, AND MILLIMETERS TOLERANCES UNLESS OTHERWISE STATED ARE:	CHECKED ABD	2023-11-22	
	MECH. ENG. LRA	2023-11-27	
	ELEC. ENG.		WINDOW SHROUD,DOUBLE CUSTOMER PART NO. WS2L
	TEST ENG.		
	SALES.		
MILLIMETERS DECIMALS XX. ± 1.0mm XX.X ± 0.5mm	INCHES DECIMALS X.X ± 0.1 X.XX ± 0.04 X.XXX ± 0.02	ANGLES ± 0.5° FRACTIONS ± 1/64	SIZE: B DWG. NO. WS2L Project: EP0179
THIRD ANGLE PROJECTION 			SHEET 1 OF 1 Date Created: 2023-11-21 REV. A
Electronically Controlled Use Latest Copy			