

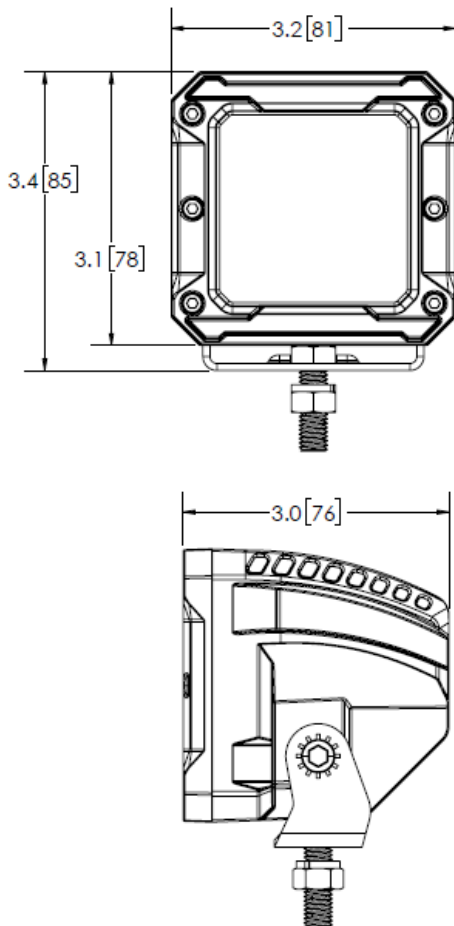
CW3007-F

FOUR 5-WATT LEDs



Youtube.com/Code3Inc

The compact CW3007-F worklight casts an effective flood beam with over 1,000 lumens of output. The worklight is designed to withstand extreme conditions with its aluminum heatsink housing, polycarbonate lens and built-in vent to combat fogging issues. Customize the device with an interchangeable color-trim bezel and install easily with included bracket and bolt assembly.



VOLTS AMPS	12-24V 1.0A
DIMS	3.4" H x 3.2" L x 3.0" D 85mm H x 81mm L x 76mm D
CERTS	CE, IP67, RoHS
DETAILS	<ul style="list-style-type: none"> ▪ 3-18 AWG conductor cable ▪ Built-in vent ▪ Compact design ▪ Aluminum heatsink housing ▪ Polycarbonate lens ▪ Interchangeable, color-trim bezel options: black, red, blue and yellow (included) ▪ Temperature range: -40°F to 149°F (-40°C to 65°C)

MODEL	TYPE	LUMENS (RAW)
CW3007-F	Flood	1,025