

CODE 3® Installation and Operation Instructions

C5550 Series LED Microbars

C5550 Series - Reflex™ LED microbars provide a compact yet powerful warning solution that offers the flexibility of either permanent, or vacuum-magnet mounting. All models feature 12-24 VDC operation and use LED technology to maximize light output, offering multiple flash patterns including double, quad quint, rotate and random.



WARNING!

Failure to install or use this product according to manufacturers recommendations may result in property damage, serious injury, and/or death to those you are seeking to protect!



Do not install and/or operate this safety product unless you have read and understand the safety information contained in this manual.

1. Proper installation combined with operator training in the use, care, and maintenance of emergency warning devices are essential to ensure the safety of you and those you are seeking to protect.
2. Exercise caution when working with live electrical connections.
3. This product must be properly grounded. Inadequate grounding and/or shorting of electrical connections can cause high current arcing, which can cause personal injury and/or severe vehicle damage, including fire.
4. Proper placement and installation are vital to the performance of this warning device. Install this product so that output performance of the system is maximized and the controls are placed within convenient reach of the operator so that s/he can operate the system without losing eye contact with the roadway.
5. Do not install this product or route any wires in the deployment area of an air bag. Equipment mounted or located in an air bag deployment area may reduce the effectiveness of the air bag or become a projectile that could cause serious personal injury or death. Refer to the vehicle owner's manual for the air bag deployment area. It is the responsibility of the user/operator to determine a suitable mounting location ensuring the safety of all passengers inside the vehicle particularly avoiding areas of potential head impact.
6. It is the responsibility of the vehicle operator to ensure during use that all features of this product work correctly. In use, the vehicle operator should ensure the projection of the warning signal is not blocked by vehicle components (i.e., open trunks or compartment doors), people, vehicles or other obstructions.
7. The use of this or any other warning device does not ensure all drivers can or will observe or react to a warning signal. Never take the right-of-way for granted. It is your responsibility to be sure you can proceed safely before entering an intersection, driving against traffic, responding at a high rate of speed, or walking on or around traffic lanes.
8. This equipment is intended for use by authorized personnel only. The user is responsible for understanding and obeying all laws regarding warning signal devices. Therefore, the user should check all applicable city, state, and federal laws and regulations. The manufacturer assumes no liability for any loss resulting from the use of this warning device.

Specifications:

Size:	C5550XX, C5550CXX	10" x 7" x 2"	Current Draw:	4.5 Amps Maximum
	C5550XX-VM, C5550CXX-VM	10" x 7" x 3"		Maximum power consumption: 48.6 watts
Weight:			Flash Rate:	See Flash Pattern Chart
			Temp. Range:	-30°C to +50°C

Mount	C5550
Permanent Mount	approx. 2.0 lbs
Vacuum-Magnet Mount	approx. 4.3 lbs

Input Voltage: 12 to 24 VDC systems

Installation & Mounting:

Important! This unit is a safety device, and it must be connected to its own separate, fused power point to assure its continued operation should any other electrical accessory fail.

Carefully remove the microbar and place it on a flat surface. Examine the unit for transit damage, and locate all parts. If damage is found, or parts are missing, contact the transit company or CODE 3. Do not use damaged or broken parts.

Caution: When drilling into any vehicle surface, make sure the area is free from any electrical wires, fuel lines, vehicle upholstery, etc. that could be damaged

Permanent Mounting:

1. Select the desired location on a flat surface for the microbar to be mounted. The visibility of the flash and ease of wiring access should be taken into consideration in the selection of the mounting location.
2. Remove lens screws, then remove lens. Use the four holes in the corners of the base to mark the mounting hole locations.
3. Drill the holes using a 7/32" drill size.
4. A fifth hole may be drilled for wire access.
5. Connect the power wires as shown in the wiring section (see Figure 6).
6. Mount the microbar with M5 hardware provided.

Vacuum-Magnet Mount:

The Vacuum-Magnet Mount feature includes a suction cup on the bottom of the microbar, with a magnet inside of the suction cup, for a secure, temporary mount. The microbar should be placed in the center of the roof where the least amount of curvature occurs. Before installing, make sure the mounting surface is clean and there is no debris on the bottom of the microbar or on the roof of the vehicle, which could reduce the holding power of the suction cup and magnet. Place and remove the microbar without sliding to avoid scratching the paint on the vehicle. After placement, the microbar should adhere firmly to the surface. If the unit slides or moves easily, a proper installation has not been obtained. To release the vacuum, lift the tab to release the airlock (see Figure 1). To protect the Vacuum-Magnet Mount assembly, return microbar to the box when not in use. **Do not attempt to attach the microbar to an ice-covered surface.**

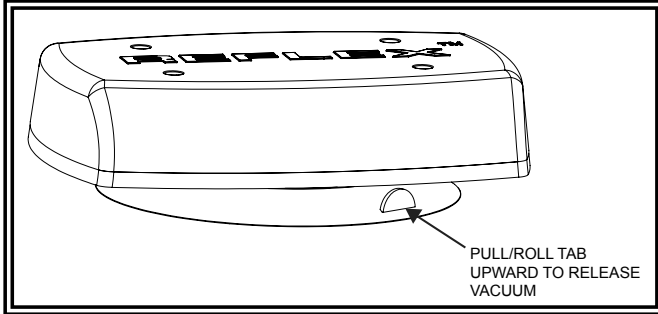


FIGURE 1

The cigarette plug includes a power switch and a momentary pattern select switch as shown in Figure 2. Each color's flash pattern can be set, while the color is turned on, by pressing the pattern select switch for less than one second. Press and hold the pattern select switch for 2-3 seconds to go back to the previous pattern. Press and hold the pattern select switch for 5 seconds to go to Steady Burn.

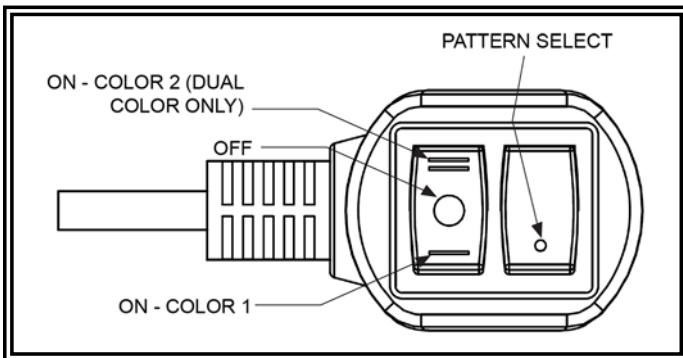


FIGURE 2

Vacuum Mount Installation:

1. Remove lens screws, then remove lens.
2. Unclip and remove wire harness.
3. Insert the pinned end of the cigarette adapter cable through the wire harness hole from the bottom of the base.
4. Turn pins crimp side up, and insert pins into connector as shown in Figure 4.
5. Place zip-tie 1.5" from base of the connector shown in Figure 5. Zip-tie must be not be able to slide on cord. Trim excess zip-tie.
6. Clip the connector to the PCA board and pull slack until zip-tie touches base.
7. With the cigarette plug to the left, unscrew the two modules farthest away from you, and the PCA board in dual color versions, to gain access to the vacuum mounting holes.
8. Position the vacuum magnet, and secure in place with included hardware.
9. Re-install the modules, PCA board, and lens, reverse of removal. Slide o-ring onto screw until it reaches head, before securing into lens.

WARNING!

Maximum recommended vehicle speed for safe operation using the Vacuum Mount model is 65 mph (104 km/h), when fitted to the center of a vehicle roof of steel construction. Higher speeds could cause the mount to fail, resulting in the microbar flying off of the vehicle, which could cause damage to other vehicles, and injury or death to the passengers. The vacuum-magnet mount is not intended as a permanent mounting for the microbar. The vacuum-magnet mount unit must be mounted on a flat smooth magnetic surface (i.e. no fiberglass, ribbed style roofs, etc.). Ensure that the magnet is kept clean.

WARNING!

Failure to follow these instructions can result in fire or injury from excessive heat build up. Operator is responsible for ensuring auxiliary plug fits correctly into auxiliary power plug outlet used. For proper operation, verify auxiliary power outlet circuit is rated to supply a minimum of 10 amps. (See specifications section for rated current in amperes). Do not exceed the current rating for the auxiliary power outlet recommended by vehicle manufacturer. Keep auxiliary plug and outlet clean and free of debris. Do not use the auxiliary plug when wet. Insert auxiliary plug fully into the outlet for proper connection. Grasp auxiliary plug, NOT cord, to remove from outlet. Remove auxiliary plug completely from outlet when light is not in use.

Note: Operating the microbar without the lens installed on this product will result in damage that will not be covered under warranty.

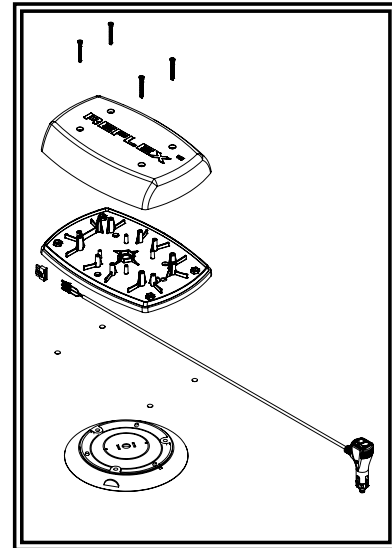


FIGURE 3

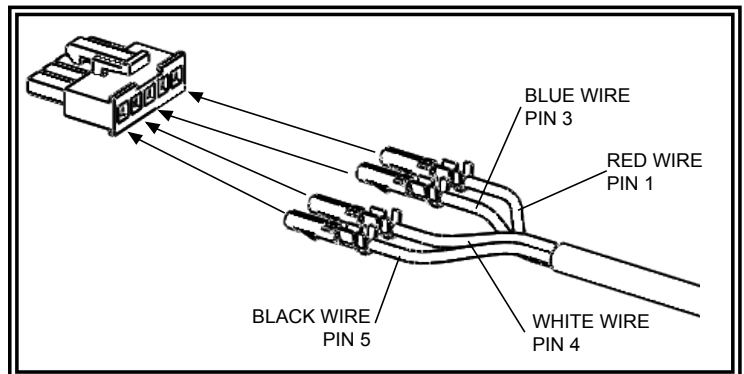


FIGURE 4

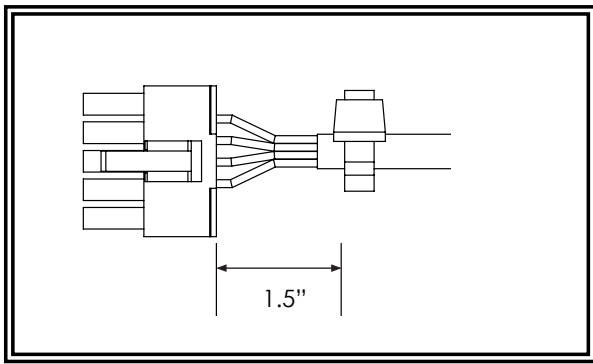


FIGURE 5

Wiring:

Important! Disable power before wiring up the microbar.

The wiring for the permanent mount microbar is as shown in Figure 6. All wiring should be a minimum of 18AWG. The positive line must have a 5 amp fuse, as shown. A switch may be used to control the on/off function.

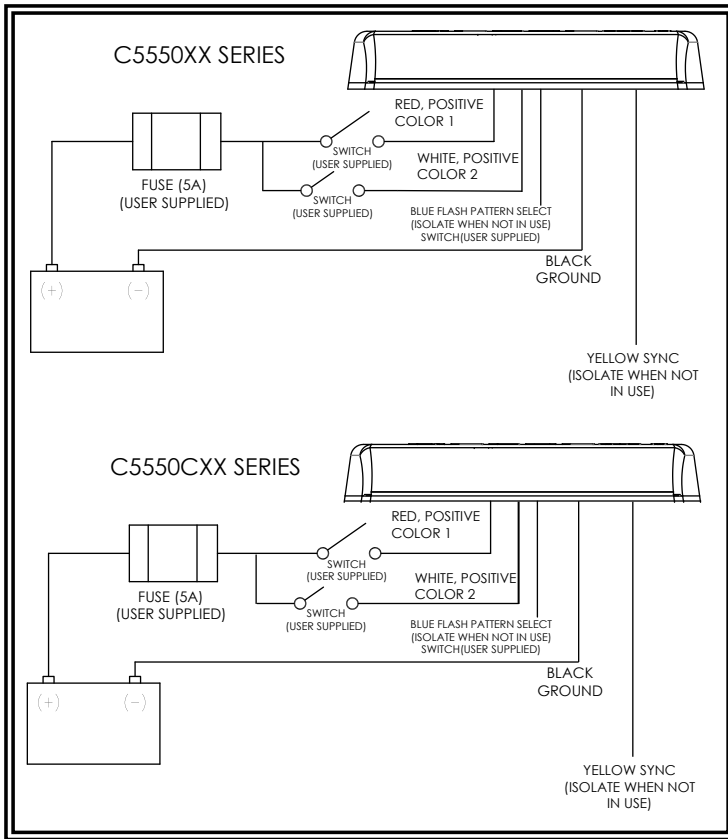


FIGURE 6

Pattern Delete Mode:

Flash patterns can be selected on a permanent mount microbar by touching the blue wire to the black ground wire for less than a second. Contacting the blue and black wires for longer than a second toggles to the preceding flash pattern. The VM models have flash pattern select via a momentary switch on the cigarette plug.

SYNCHRONIZATION:

The permanent mount microbars sync with compatible Code 3 products via the yellow wire:

1. Determine the desired style of flash pattern for each unit and set each unit individually (without the yellow wires connected together) to avoid confusion. It is also strongly recommended that the same style of flash pattern be used on all units to produce the most effective warning pattern. (NOTE: Phases A and B for each style of flash pattern in the table denote the relative timing between units connected in a synchronizing installation. To operate simultaneously, each unit must be set to the same phase (A + A or B + B); to operate alternately, units must be set to have the opposite phase (A + B or B + A)).
2. Connect the yellow sync wires together and check that the units are flashing in a synchronized manner as expected. If a pattern on one unit appears incorrect, the blue pattern select wire can be used to cycle forward or backward on that individual unit until the correct pattern is selected. Note: This will only change the pattern in the one unit and will not affect the other units connected to the yellow sync wire.
3. If the yellow wire is unused, leave unconnected and insulated.

SINGLE COLOR

FLASH PATTERN TABLE																
				5545XX		5550XX										
				SAE J845						CA T13				ECE R65		
Pattern	Description	FPM	Phase	A	CA	A	CA	B	C	R	A	CA	B	R	A	CA
1	Single	75	A	C2	C2	C1	C1	C1	C1	C1	CE	CE	CE	CE	-	-
2	Single	75	B	C2	C2	C1	C1	C1	C1	C1	CE	CE	CE	CE	-	-
3	Single Alternating Split	75		-	-	-	-	-	-	-	-	-	-	-	-	-
4	Single	120	A	C2	C2	C1	C1	C1	C1	C1	-	-	-	-	C1	C1
5	Single	120	B	C2	C2	C1	C1	C1	C1	C1	-	-	-	-	C1	C1
6	Single Alternating Split	120		-	-	-	-	-	-	-	-	-	-	-	-	-
7	Double	75	A	C2	C2	C1	C1	C1	C1	C1	CE	CE	CE	CE	-	-
8	Double	75	B	C2	C2	C1	C1	C1	C1	C1	CE	CE	CE	CE	-	-
9	Double Alternating Split	75		-	-	-	-	-	-	-	-	-	-	-	-	-
10	Double	120	A	C2	C2	C1	C1	C1	C1	C1	-	-	-	-	C1	C1
11	Double	120	B	C2	C2	C1	C1	C1	C1	C1	-	-	-	-	C1	C1
12	Double Alternating Split	120		-	-	-	-	-	-	-	-	-	-	-	-	-
13	Quad	75	A	C2	C2	C1	C1	C1	C1	C1	-	-	-	-	-	-
14	Quad	75	B	C2	C2	C1	C1	C1	C1	C1	-	-	-	-	-	-
15	Quad Alternating Split	75		-	-	-	-	-	-	-	-	-	-	-	-	-
16	Triple	75	A	C2	C2	C1	C1	C1	C1	C1	-	-	-	-	-	-
17	Triple	75	B	C2	C2	C1	C1	C1	C1	C1	-	-	-	-	-	-
18	Triple Alternating Split	75		-	-	-	-	-	-	-	-	-	-	-	-	-
19	Quint	150	A	C2	C2	C1	C1	C1	C1	C1	-	-	-	-	-	-
20	Quint	150	B	C2	C2	C1	C1	C1	C1	C1	-	-	-	-	-	-
21	Quint Alternating Split	150		-	-	-	-	-	-	-	-	-	-	-	-	-
22	Double Diagonal	150	A	-	-	-	-	-	-	-	-	-	-	-	-	-
23	Double Diagonal	150	B	-	-	-	-	-	-	-	-	-	-	-	-	-
24	Double Diagonal Alt. Split	150		-	-	-	-	-	-	-	-	-	-	-	-	-
25	Quad Diagonal	150	A	-	-	-	-	-	-	-	-	-	-	-	-	-
26	Quad Diagonal	150	B	-	-	-	-	-	-	-	-	-	-	-	-	-
27	Quad Diagonal Alt. Split	150		-	-	-	-	-	-	-	-	-	-	-	-	-
28	Fast Rotate	120		-	-	-	-	-	-	-	-	-	-	-	-	-
29	Rotate/Quad	150/75		-	-	-	-	-	-	-	-	-	-	-	-	-
30	Wave Rotate	70		-	-	-	-	-	-	-	-	-	-	-	-	-
31	Random			-	-	-	-	-	-	-	-	-	-	-	-	-
32	Steady			-	-	-	-	-	-	-	-	-	-	-	-	-

SAE: C1 - CLASS 1, C2 - CLASS 2, C3 - CLASS 3
 CA TITLE 13; CE - CLASS E, CB - CLASS B
 ECE R65; C1 - CLASS 1, C2 - CLASS 2

MULTI-COLOR

FLASH PATTERN TABLE															
Red Wire	White Wire	Red + White Wire	Description	FPM	Phase	5550XXX									
						SAE J845				CA T13			ECE R65		
						A	B	C	R	A	B	R	A	B	R
Pattern	Pattern	Pattern													
1		1	Single Color 1	75	A	C1	C1	C1	C1	CE	CE	CE	-	-	-
2		2	Single Color 1	75	B	C1	C1	C1	C1	CE	CE	CE	-	-	-
		3	Single Split Color	75	A	-	-	-	-	-	-	-	-	-	-
		4	Single Split Color	75	B	-	-	-	-	-	-	-	-	-	-
	1	5	Single Color 2	75	A	C1	C1	C1	C1	CE	CE	CE	-	-	-
	2	6	Single Color 2	75	B	C1	C1	C1	C1	CE	CE	CE	-	-	-
3	3	7	Single Dual Color	75	A	-	-	-	-	-	-	-	-	-	-
4	4	8	Single Dual Color	75	B	-	-	-	-	-	-	-	-	-	-
5	5	9	Single Alt. Split C1 & C2	75		-	-	-	-	-	-	-	-	-	-
6		10	Single Color 1	375	A	-	-	-	-	-	-	-	-	-	-
7		11	Single Color 1	375	B	-	-	-	-	-	-	-	-	-	-
		12	Single Split Color	375	A	-	-	-	-	-	-	-	-	-	-
		13	Single Split Color	375	B	-	-	-	-	-	-	-	-	-	-
	6	14	Single Color 2	375	A	-	-	-	-	-	-	-	-	-	-
	7	15	Single Color 2	375	B	-	-	-	-	-	-	-	-	-	-
8	8	16	Single Dual Color	375	A	-	-	-	-	-	-	-	-	-	-
9	9	17	Single Dual Color	375	B	-	-	-	-	-	-	-	-	-	-
10	10	18	Single Alt. Split C1 & C2	375		-	-	-	-	-	-	-	-	-	-
11		19	Double Color 1	75	A	C1	C1	C1	C1	CE	CE	CE	-	-	-
12		20	Double Color 1	75	B	C1	C1	C1	C1	CE	CE	CE	-	-	-
		21	Double Split Color	75	A	-	-	-	-	-	-	-	-	-	-
		22	Double Split Color	75	B	-	-	-	-	-	-	-	-	-	-
	11	23	Double Color 2	75	A	C1	C1	C1	C1	CE	CE	CE	-	-	-
	12	24	Double Color 2	75	B	C1	C1	C1	C1	CE	CE	CE	-	-	-
13	13	25	Double Dual Color	75	A	-	-	-	-	-	-	-	-	-	-
14	14	26	Double Dual Color	75	B	-	-	-	-	-	-	-	-	-	-
15	15	27	Double Alt. Split C1 & C2	75		-	-	-	-	-	-	-	-	-	-
16		28	Double Color 1	120	A	C1	C1	C1	C1	-	-	-	C1	C1	C1
17		29	Double Color 1	120	B	C1	C1	C1	C1	-	-	-	C1	C1	C1
		30	Double Split Color	120	A	-	-	-	-	-	-	-	-	-	-
		31	Double Split Color	120	B	-	-	-	-	-	-	-	-	-	-
	16	32	Double Color 2	120	A	C1	C1	C1	C1	-	-	-	C1	C1	C1
	17	33	Double Color 2	120	B	C1	C1	C1	C1	-	-	-	C1	C1	C1
18	18	34	Double Dual Color	120	A	-	-	-	-	-	-	-	-	-	-
19	19	35	Double Dual Color	120	B	-	-	-	-	-	-	-	-	-	-
20	20	36	Double Alt. Split C1 & C2	120		-	-	-	-	-	-	-	-	-	-
21		37	Triple Color 1	75	A	C1	C1	C1	C1	CE	CE	CE	-	-	-
22		38	Triple Color 1	75	B	C1	C1	C1	C1	CE	CE	CE	-	-	-
		39	Triple Split Color	75	A	-	-	-	-	-	-	-	-	-	-
		40	Triple Split Color	75	B	-	-	-	-	-	-	-	-	-	-
	21	41	Triple Color 2	75	A	C1	C1	C1	C1	CE	CE	CE	-	-	-
	22	42	Triple Color 2	75	B	C1	C1	C1	C1	CE	CE	CE	-	-	-
23	23	43	Triple Dual Color	75	A	-	-	-	-	-	-	-	-	-	-
		44	Triple Dual Color	75	B	-	-	-	-	-	-	-	-	-	-

24	24	45	Triple Alt. Split C1 &C2	75		-	-	-	-	-	-	-	-	-	-
25		46	Quad Color 1	75	A	C1	C1	C1	C1	CE	CE	CE	-	-	-
26		47	Quad Color 1	75	B	C1	C1	C1	C1	CE	CE	CE	-	-	-
		48	Quad Split Color	75	A	-	-	-	-	-	-	-	-	-	-
		49	Quad Split Color	75	B	-	-	-	-	-	-	-	-	-	-
	25	50	Quad Color 2	75	A	C1	C1	C1	C1	CE	CE	CE	-	-	-
	26	51	Quad Color 2	75	B	C1	C1	C1	C1	CE	CE	CE	-	-	-
27	27	52	Quad Dual Color	75	A	-	-	-	-	-	-	-	-	-	-
28	28	53	Quad Dual Color	75	B	-	-	-	-	-	-	-	-	-	-
29	29	54	Quad Alt. Split C1 &C2	75		-	-	-	-	-	-	-	-	-	-
30		55	Quad Color 1	120	A	C1	C1	C1	C1	-	-	-	C1	C1	C1
31		56	Quad Color 1	120	B	C1	C1	C1	C1	-	-	-	C1	C1	C1
		57	Quad Split Color	120	A	-	-	-	-	-	-	-	-	-	-
		58	Quad Split Color	120	B	-	-	-	-	-	-	-	-	-	-
	30	59	Quad Color 2	120	A	C1	C1	C1	C1	-	-	-	-	-	-
	31	60	Quad Color 2	120	B	C1	C1	C1	C1	-	-	-	-	-	-
32	32	61	Quad Dual Color	120	A	-	-	-	-	-	-	-	-	-	-
33	33	62	Quad Dual Color	120	B	-	-	-	-	-	-	-	-	-	-
34	34	63	Quad Alt. Split C1 &C2	120		-	-	-	-	-	-	-	-	-	-
35		64	Double Diagonal Color 1	150	A	-	-	-	-	-	-	-	-	-	-
36		65	Double Diagonal Color 1	150	B	-	-	-	-	-	-	-	-	-	-
		66	Double Diagonal Alt. Split	150	A	-	-	-	-	-	-	-	-	-	-
		67	Double Diagonal Alt. Split	150	B	-	-	-	-	-	-	-	-	-	-
	35	68	Double Diagonal Color 2	150	A	-	-	-	-	-	-	-	-	-	-
	36	69	Double Diagonal Color 2	150	B	-	-	-	-	-	-	-	-	-	-
37	37	70	Double Diagonal Alt. Dual Color	150	A	-	-	-	-	-	-	-	-	-	-
38	38	71	Double Diagonal Alt. Dual Color	150	B	-	-	-	-	-	-	-	-	-	-
39		72	Quad Diagonal Color 1	150	A	-	-	-	-	-	-	-	-	-	-
40		73	Quad Diagonal Color 1	150	B	-	-	-	-	-	-	-	-	-	-
		74	Quad Diagonal Alt. Split	150	A	-	-	-	-	-	-	-	-	-	-
		75	Quad Diagonal Alt. Split	150	B	-	-	-	-	-	-	-	-	-	-
	39	76	Quad Diagonal Color 2	150	A	-	-	-	-	-	-	-	-	-	-
	40	77	Quad Diagonal Color 2	150	B	-	-	-	-	-	-	-	-	-	-
41	41	78	Quadagonal Alt. Dual Color	150	A	-	-	-	-	-	-	-	-	-	-
42	42	79	Quadagonal Alt. Dual Color	150	B	-	-	-	-	-	-	-	-	-	-
43		80	Fast Rotate Color 1	120	A	-	-	-	-	-	-	-	-	-	-
	43	81	Fast Rotate Color 2	120	A	-	-	-	-	-	-	-	-	-	-
		82	Rast Rotate Dual Color	120	A	-	-	-	-	-	-	-	-	-	-
44		83	Rotate/Quad Color 1	150/75	A	-	-	-	-	-	-	-	-	-	-
	44	84	Rotate/Quad Color 2	150/75	A	-	-	-	-	-	-	-	-	-	-
		85	Rotate/Quad Dual Color	150/75	A	-	-	-	-	-	-	-	-	-	-
45		86	Wave Rotate Color 1	70	A	-	-	-	-	-	-	-	-	-	-
	45	87	Wave Rotate Color 2	70	A	-	-	-	-	-	-	-	-	-	-
		88	Wave Rotate Dual Color	70	A	-	-	-	-	-	-	-	-	-	-
		89	Random Color 1 & Color 2		A	-	-	-	-	-	-	-	-	-	-
46		90	Steady Color 1			-	-	-	-	-	-	-	-	-	-
	46	91	Steady Color 2			-	-	-	-	-	-	-	-	-	-

NOTES:

Manufacturer Limited Warranty Policy:

Manufacturer warrants that on the date of purchase this product will conform to Manufacturer's specifications for this product (which are available from the Manufacturer upon request). This Limited Warranty extends for Sixty (60) months from the date of purchase.

DAMAGE TO PARTS OR PRODUCTS RESULTING FROM TAMPERING, ACCIDENT, ABUSE, MISUSE, NEGLIGENCE, UNAPPROVED MODIFICATIONS, FIRE OR OTHER HAZARD; IMPROPER INSTALLATION OR OPERATION; OR NOT BEING MAINTAINED IN ACCORDANCE WITH THE MAINTENANCE PROCEDURES SET FORTH IN MANUFACTURER'S INSTALLATION AND OPERATING INSTRUCTIONS Voids THIS LIMITED WARRANTY.

Exclusion of Other Warranties:

MANUFACTURER MAKES NO OTHER WARRANTIES, EXPRESS OR IMPLIED. THE IMPLIED WARRANTIES FOR MERCHANTABILITY, QUALITY OR FITNESS FOR A PARTICULAR PURPOSE, OR ARISING FROM A COURSE OF DEALING, USAGE OR TRADE PRACTICE ARE HEREBY EXCLUDED AND SHALL NOT APPLY TO THE PRODUCT AND ARE HEREBY DISCLAIMED, EXCEPT TO THE EXTENT PROHIBITED BY APPLICABLE LAW. ORAL STATEMENTS OR REPRESENTATIONS ABOUT THE PRODUCT DO NOT CONSTITUTE WARRANTIES.

Remedies and Limitation of Liability:

MANUFACTURER'S SOLE LIABILITY AND BUYER'S EXCLUSIVE REMEDY IN CONTRACT, TORT (INCLUDING NEGLIGENCE), OR UNDER ANY OTHER THEORY AGAINST MANUFACTURER REGARDING THE PRODUCT AND ITS USE SHALL BE, AT MANUFACTURER'S DISCRETION, THE REPLACEMENT OR REPAIR OF THE PRODUCT, OR THE REFUND OF THE PURCHASE PRICE PAID BY BUYER FOR NON-CONFORMING PRODUCT. IN NO EVENT SHALL MANUFACTURER'S LIABILITY ARISING OUT OF THIS LIMITED WARRANTY OR ANY OTHER CLAIM RELATED TO THE MANUFACTURER'S PRODUCTS EXCEED THE AMOUNT PAID FOR THE PRODUCT BY BUYER AT THE TIME OF THE ORIGINAL PURCHASE. IN NO EVENT SHALL MANUFACTURER BE LIABLE FOR LOST PROFITS, THE COST OF SUBSTITUTE EQUIPMENT OR LABOR, PROPERTY DAMAGE, OR OTHER SPECIAL, CONSEQUENTIAL, OR INCIDENTAL DAMAGES BASED UPON ANY CLAIM FOR BREACH OF CONTRACT, IMPROPER INSTALLATION, NEGLIGENCE, OR OTHER CLAIM, EVEN IF MANUFACTURER OR A MANUFACTURER'S REPRESENTATIVE HAS BEEN ADVISED OF THE POSSIBILITY OF SUCH DAMAGES. MANUFACTURER SHALL HAVE NO FURTHER OBLIGATION OR LIABILITY WITH RESPECT TO THE PRODUCT OR ITS SALE, OPERATION AND USE, AND MANUFACTURER NEITHER ASSUMES NOR AUTHORIZES THE ASSUMPTION OF ANY OTHER OBLIGATION OR LIABILITY IN CONNECTION WITH SUCH PRODUCT.

This Limited Warranty defines specific legal rights. You may have other legal rights which vary from jurisdiction to jurisdiction. Some jurisdictions do not allow the exclusion or limitation of incidental or consequential damages.

Product Returns:

If a product must be returned for repair or replacement*, please contact our factory to obtain a Return Goods Authorization Number (RGA number) before you ship the product to Code 3®, Inc. Write the RGA number clearly on the package near the mailing label. Be sure you use sufficient packing materials to avoid damage to the product being returned while in transit.

*Code 3®, Inc. reserves the right to repair or replace at its discretion. Code 3®, Inc. assumes no responsibility or liability for expenses incurred for the removal and /or reinstallation of products requiring service and/or repair.; nor for the packaging, handling, and shipping; nor for the handling of products returned to sender after the service has been rendered.



10986 North Warson Road
St. Louis, MO 63114

Technical Service

(314) 996-2800

c3_tech_support@code3esg.com

www.code3esg.com

An ECCO SAFETY GROUP™ Company

www.eccosafetygroup.com