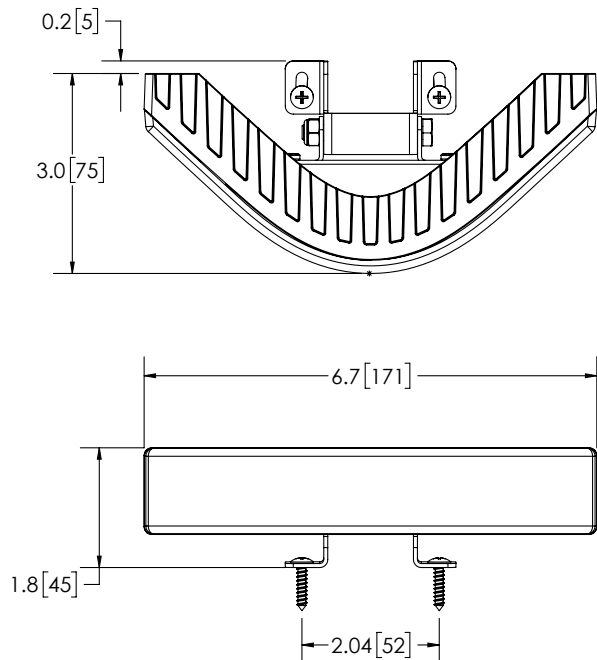


CD5101 SERIES CORNER LED LIGHT



Code 3's CD5101 Series Corner LED features a unique, angled design that delivers 270° of warning from a single light. The universal surface mount bracket allows for a variety of mounting applications on the front, side and rear of any police car, fire apparatus, ambulance, rescue vehicle or emergency vehicle. When mounted to the front and rear, the Corner LED Light delivers 360° of warning. The CD5101 offers 69 flash patterns to choose from, dual-color red/blue option, aluminum heatsink housing, and an industrial-grade polycarbonate lens for maximum durability.



| | |
|-----------------------|--|
| VOLTS AMPS | 12-24V 0.98 |
| DIMS | 1.8" H x 6.7" L x 3.1" D 45mm H x 171mm L x 79mm D |
| MOUNTING HOLE SPACING | 2.04" 52mm |
| FLASH PATTERNS | 69 |
| CERTS | [CLASS I (SAE J595, J845)], CA T13, IP69K, R10 |
| DETAILS | <ul style="list-style-type: none"> • Wide beam spread • Three rows of LEDs • Synchronizable • Aluminum heatsink housing with polycarbonate lens • High-intensity LEDs provide exceptional warning |

| MODEL | TYPE | ILLUMINATION COLORS |
|-----------|------------|---------------------|
| CD5101CRB | Dual-Color | RB |