

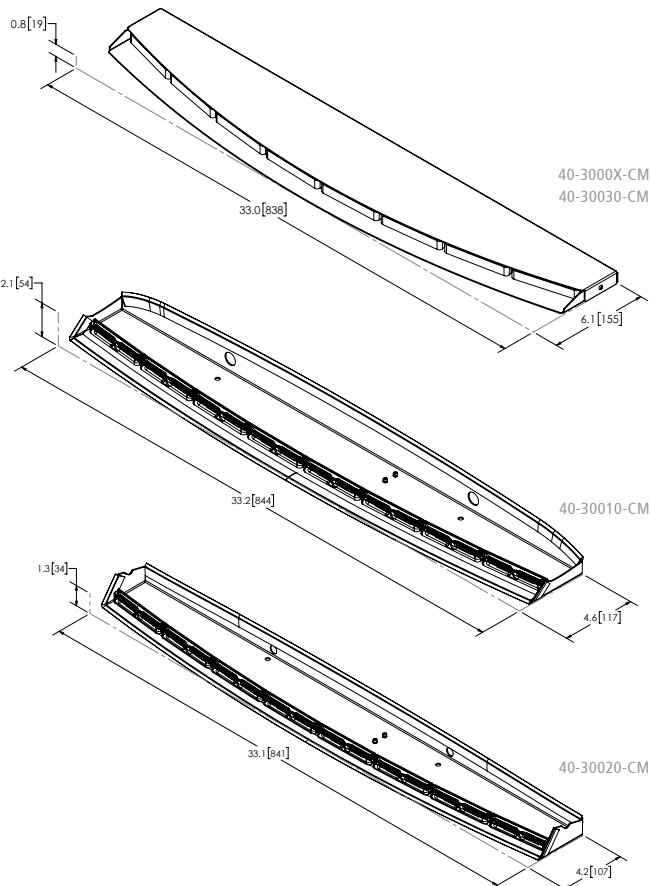
## THIN WINGMAN™ - MATRIX® ENABLED REAR WINDOW MOUNTED INTERIOR LIGHT






40-30002-CM

The Thin WingMan™ Matrix® is powered by time-tested LED lightheads and features custom-shaped housing to fit tightly in the rear window of a PIU, Tahoe, or Durango. The compact design removes flash-back allowing the driver to stay focused and attentive. When the unit is inactive, it is virtually undetectable from outside of the vehicle. The tri-color LED lightheads can be customized with the Matrix software to produce an unlimited amount of flash patterns that can be synchronized across vehicles. Each unit comes with a simple to install CAT5 cable and power/ground cable, and a five-year warranty.

VOLTS   AMPS	12-24V   6.8A
DIMS	Dimensions vary based on model number
FLASH PATTERNS	Unlimited
CERTS	CLASS I (SAE J595), CA T13 (excludes B)
DETAILS	<ul style="list-style-type: none"> <li>• Dual- or tri-color lightheads</li> <li>• Minimal flashback</li> <li>• No drilling required for mounting</li> <li>• Contoured for installation against the rear interior windshield</li> <li>• Compact size is ideal for covert applications</li> <li>• Flash patterns synchronize with the rest of the vehicle</li> </ul>



MODEL	VEHICLE BRACKET	VEHICLE TYPE	ILLUMINATION COLORS
40-30001-CM	Order Separately	Universal	AW
40-30002-CM	Order Separately	Universal	RB
40-30003-CM	Order Separately	Universal	BA
40-30004-CM	Order Separately	Universal	RW driver side / BW passenger side
40-30005-CM	Order Separately	Universal	BAW
40-30006-CM	Order Separately	Universal	RAW
40-30007-CM	Order Separately	Universal	RBA
40-30008-CM	Order Separately	Universal	RBW
40-30010-CM	Included	PIU 20+	RBA
40-30020-CM	Included	Tahoe 21+	RBA

	<b>GASKET</b>
<b>CZ4103</b>	Thin WingMan Matrix
	<b>MOUNTING BRACKET</b>
<b>TWMTG-CH15</b>	2015+ Charger
	<b>MOUNTING BRACKET</b>
<b>TWMTG-UNIV</b>	Universal