

Installation and Operation Instructions



C5517 Series LED Microbars

IMPORTANT! Read all instructions before installing and using. Installer: This manual must be delivered to the end user.



WARNING!

Failure to install or use this product according to manufacturer's recommendations may result in property damage, serious injury, and/or death to those you are seeking to protect!



Do not install and/or operate this safety product unless you have read and understood the safety information contained in this manual.

1. Proper installation combined with operator training in the use, care, and maintenance of emergency warning devices are essential to ensure the safety of emergency personnel and the public.
2. Emergency warning devices often require high electrical voltages and/or currents. Exercise caution when working with live electrical connections.
3. This product must be properly grounded. Inadequate grounding and/or shorting of electrical connections can cause high current arcing, which can cause personal injury and/or severe vehicle damage, including fire.
4. Proper placement and installation is vital to the performance of this warning device. Install this product so that output performance of the system is maximized and the controls are placed within convenient reach of the operator so that they can operate the system without losing eye contact with the roadway.
5. Do not install this product or route any wires in the deployment area of an air bag. Equipment mounted or located in an air bag deployment area may reduce the effectiveness of the air bag or become a projectile that could cause serious personal injury or death. Refer to the vehicle owner's manual for the air bag deployment area. It is the responsibility of the user/operator to determine a suitable mounting location ensuring the safety of all passengers inside the vehicle particularly avoiding areas of potential head impact.
6. It is the responsibility of the vehicle operator to ensure daily that all features of this product work correctly. In use, the vehicle operator should ensure the projection of the warning signal is not blocked by vehicle components (i.e., open trunks or compartment doors), people, vehicles or other obstructions.
7. The use of this or any other warning device does not ensure all drivers can or will observe or react to an emergency warning signal. Never take the right-of-way for granted. It is the vehicle operator's responsibility to be sure they can proceed safely before entering an intersection, drive against traffic, respond at a high rate of speed, or walk on or around traffic lanes.
8. This equipment is intended for use by authorized personnel only. The user is responsible for understanding and obeying all laws regarding emergency warning devices. Therefore, the user should check all applicable city, state, and federal laws and regulations. The manufacturer assumes no liability for any loss resulting from the use of this warning device.

Specifications

Size:	C5517XX	17.0in x 7.0in x 2.5in
	C5517XXX	
	C5517XX-VM	
	C5517XXX-VM	
Weight:	Permanent Mount	~2.0lbs
	Vacuum Mount	~3.6lbs.
Input Voltage:	12-24VDC	
Current Draw:	5.8A @ 12VDC Nominal	
Flash Rate:	See Flash Pattern Chart	
Temp. Range:	-30°C to 50°C	
	-22°F to 122°F	

Installation and Mounting



CAUTION!
When drilling into any vehicle surface, make sure that the area is free from any electrical wires, fuel lines, vehicle upholstery, etc. that could be damaged.



WARNING!
Maximum recommended vehicle speed for safe operation using the Vacuum Mount model is 65 mph (104 km/h) when fitted to the center of a vehicle roof of steel construction. Higher speeds could cause the mount to fail, resulting in the minibar flying off of the vehicle, which could cause damage to other vehicles and injury or death to the passengers. The vacuum-magnet mount is not intended as a permanent mount for the minibar. The vacuum-magnet mount unit must be mounted on a magnetic surface (i.e. no fiberglass, etc.). Ensure that the magnets are kept clean.



NOTE: Operating the vehicle without the outer lens installed on the product may result in damage that will NOT be covered under warranty.

IMPORTANT! This unit is a safety device and it must be connected to its own separate, fused power point to assure its continued operation should any other electrical accessory fail.



WARNING!

Failure to follow these instructions can result in fire or injury from excessive heat build up:

- Operator is responsible for ensuring auxiliary plug fits correctly into auxiliary power plug outlet used.
- For proper operation, verify auxiliary power outlet circuit is rated to supply a minimum of 10 amps. (See specifications section for rated current in amperes).
- Do not exceed the current rating for the auxiliary power outlet recommended by vehicle manufacturer.
- Keep auxiliary plug and outlet clean and free of debris.
- Do not use the auxiliary plug when wet.
- Insert auxiliary plug fully into the outlet for proper connection.
- Grasp auxiliary plug, NOT cord, to remove from outlet.
- Remove auxiliary plug completely from outlet when light is not in use.

Unpacking & Pre-Installation

Carefully remove the microbar and place it on a flat surface. Examine the unit for transit damage, and locate all parts. If damage is found, or parts are missing, contact the transit company or Code 3. Do not use damaged or broken parts.

Permanent Mounting:

1. Select the desired location on a flat surface for the microbar to be mounted. The visibility of the flash and ease of wiring access should be taken into consideration in the selection of the mounting location.
2. Remove lens screws, then remove lens. Use the four holes in the corners of the base to mark the mounting hole locations.
3. Drill the holes using a 7/32" drill size.
4. A fifth hole may be drilled for wire access.
5. Connect the power wires as shown in the wiring section (see Figures 3 & 4).
6. (Optional) Place the foam gasket between the microbar and mounting surface.
7. Mount the microbar with M5 hardware provided.
8. Replace the lens and fasten with the lens screws.

Vacuum-Magnet Mounting:

The Vacuum-Magnet Mount feature includes a suction cup on the bottom of the microbar, with a magnet inside of the suction cup, for a secure, temporary mount. The microbar should be placed in the center of the roof where the least amount of curvature occurs. Before installing, make sure the mounting surface is clean and there is no debris on the bottom of the microbar or on the roof of the vehicle, which could reduce the holding power of the suction cup and magnet. Place and remove the microbar without sliding to avoid scratching the paint on the vehicle. After placement, the microbar should adhere firmly to the surface. If the unit slides or moves easily, a proper installation has not been obtained. To release the vacuum, lift the tab to release the airlock (see Figure 1). To protect the Vacuum-Magnet Mount assembly, return microbar to the box when not in use. **Do not attempt to attach the microbar to an ice-covered surface.**

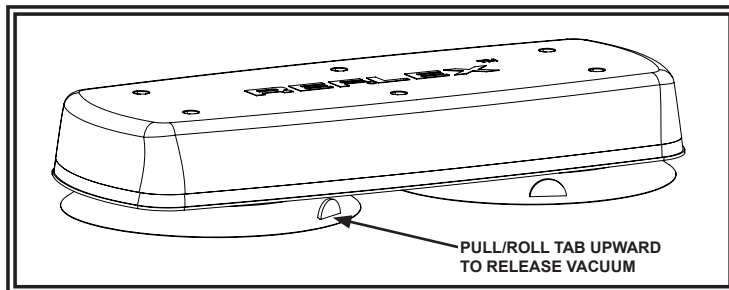


Figure 1

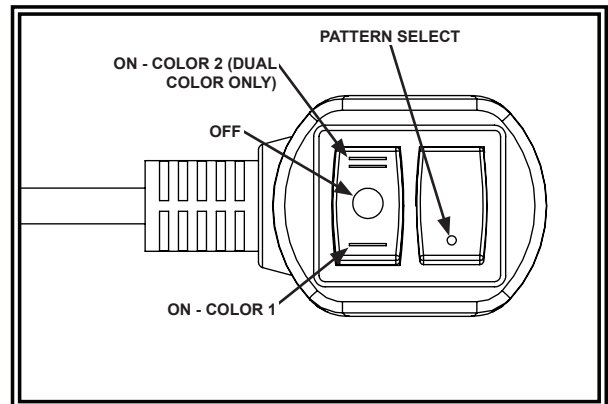


Figure 2

Wiring Instructions

IMPORTANT! Disable power before wiring up the microbar.

The wiring for the permanent mount microbar is as shown in Figure 3 & 4. All wiring should be a minimum of 18AWG. The positive line must have a 10 amp fuse, as shown. A switch may be used to control the on/off function.

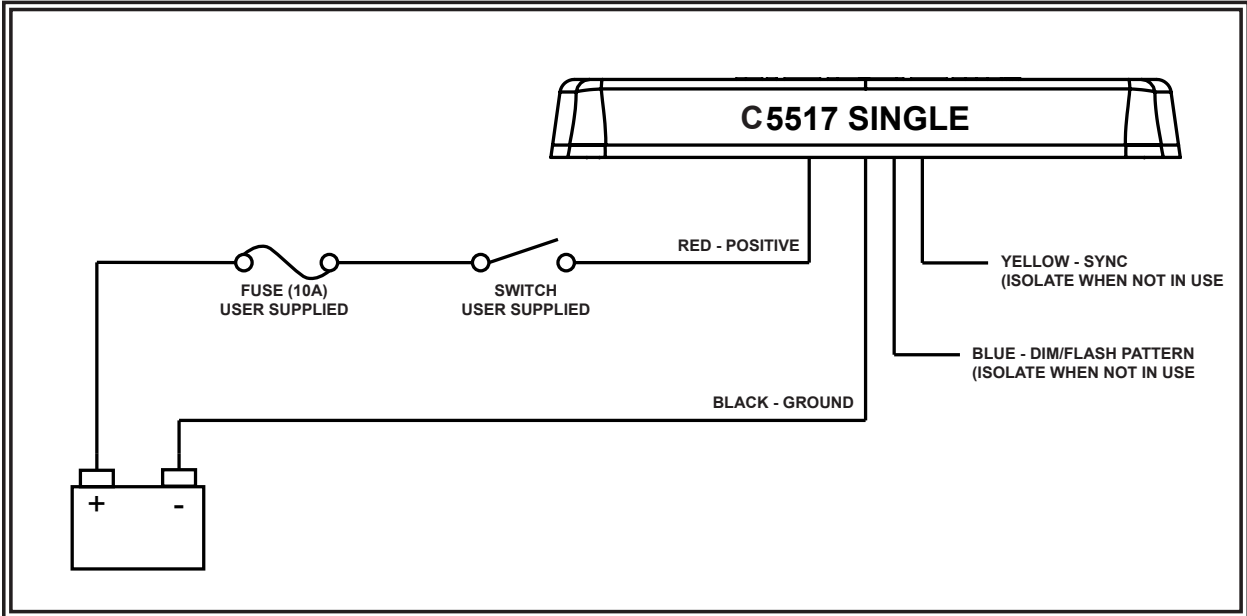


Figure 3

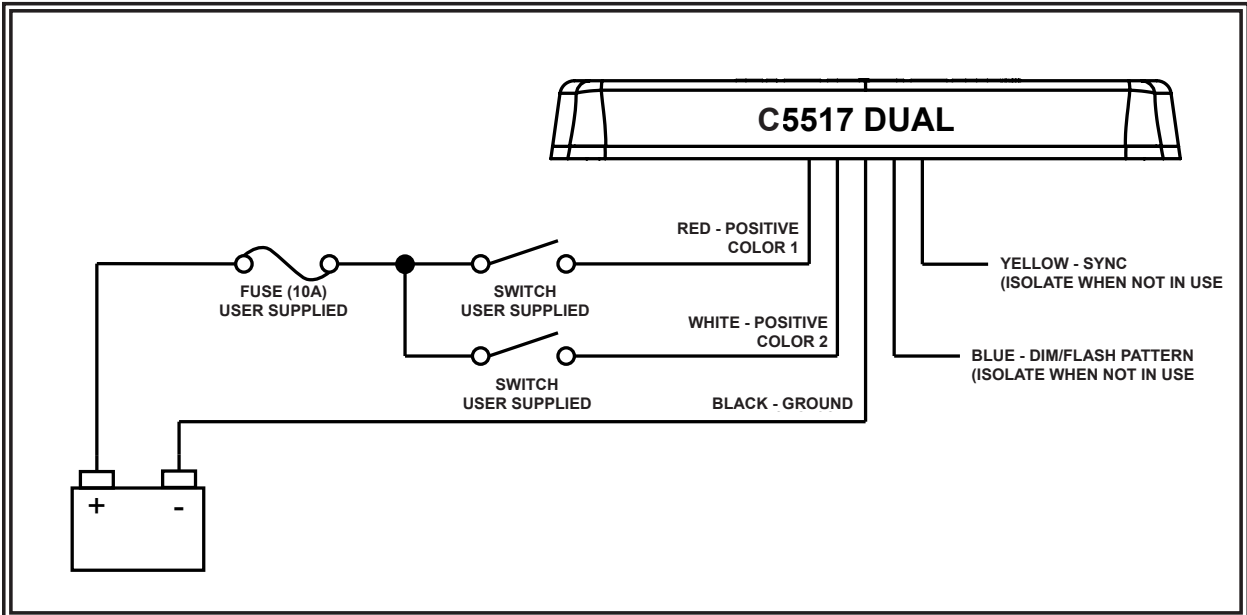


Figure 4

Flash Patterns

To select a flash pattern, apply power to the RED or WHITE or both RED and WHITE wires. (WHITE wire is for dual color only). Momentarily touch the BLUE wire to the BLACK wire (ground) for less than 1 second to advance to the next pattern. To go back to the previous pattern, momentarily touch the BLUE wire to the BLACK wire for approximately 2 - 3 seconds. To force the flash pattern to STEADY, momentarily touch the BLUE wire to the BLACK wire for approximately 5 seconds. When Vacuum-Magnet Mount is being used, the BLUE wire is connected to ground via the momentary switch on the cigarette plug as shown in FIGURE 2. For more detail about flash patterns, please see the SINGLE and DUAL COLOR FLASH PATTERN TABLES below.

Synchronization:

The permanent mount microbars sync with compatible Code 3 products via the yellow wire:

Determine the desired style of flash pattern for each unit and set each unit individually (without the yellow wires connected together) to avoid confusion. It is also strongly recommended that the same style of flash pattern be used on all units to produce the most effective warning pattern. (NOTE: Phases A and B for each style of flash pattern in the table denote the relative timing between units connected in a synchronizing installation. To operate simultaneously, each unit must be set to the same phase (A + A or B + B); to operate alternately, units must be set to have the opposite phase (A + B or B + A)).

Connect the yellow sync wires together and check that the units are flashing in a synchronized manner as expected. If a pattern on one unit appears incorrect, the blue pattern select wire can be used to cycle forward or backward on that individual unit until the correct pattern is selected. Note: This will only change the pattern in the one unit and will not affect the other units connected to the yellow sync wire. If the yellow wire is unused, leave unconnected and insulated.

Dimming Feature:

To activate the dimming feature of this microbar, attach the BLUE wire to the RED wire (+BATT).

New Beacon & Minibar Single Color					SAE J845	CA Title 13	ECE R65
PATTERN	MODE	DESCRIPTION	SYNC	FPM	5517 Amber	5517 Amber	5517 Amber
1	1	Single Flash Phase 1 (DEFAULT)	Yes	75	Class 1A	Class B	
	2	Single Flash Phase 2	Yes				
	3	Single Flash Alternating Split	Yes				
2	4	Single Flash Phase 1	Yes	120	Class 1A		Class 1
	5	Single Flash Phase 2	Yes				
	6	Single Flash Alternating Split	Yes				
3	7	Double Flash Phase 1	Yes	75	Class 1A	Class B	
	8	Double Flash Phase 2	Yes				
	9	Double Flash Alternating Split	Yes				
4	10	Double Flash Phase 1	Yes	120	Class 1A		Class 1
	11	Double Flash Phase 2	Yes				
	12	Double Flash Alternating Split	Yes				
5	13	Quad Flash Phase 1	Yes	75	Class 1A	Class B	
	14	Quad Flash Phase 2	Yes				
	15	Quad Flash Alternating Split	Yes				
6	16	Quad Flash Phase 1	Yes	150	Class 1A		Class 1
	17	Quad Flash Phase 2	Yes				
	18	Quad Flash Alternating Split	Yes				
7	19	Triple Flash Phase 1	Yes	75	Class 1A		
	20	Triple Flash Phase 2	Yes				
	21	Triple Flash Alternating Split	Yes				
8	22	Quint Flash Phase 1	Yes	150	Class 1A		
	23	Quint Flash Phase 2	Yes				
	24	Quint Flash Alternating Split	Yes				
9	25	Double Diagonal Phase 1	Yes	150			
	26	Double Diagonal Phase 2	Yes				
	27	Double Diagonal Alternating Split	Yes				
10	28	Quad Diagonal Phase 1	Yes	150			
	29	Quad Diagonal Phase 2	Yes				
	30	Quad Diagonal Alternating Split	Yes				
11	31	Fast Rotate	Yes	120			
12	32	Rotate/Quad	Yes	150/75			
13	33	Wave Rotate	Yes	70			
14	34	Random	No				
15	35	ActionScan (DEFAULT for just 17" mini bar)	No				
16	36	ZigZag	Yes	70			
17	37	Steady Burn	No				

New Beacon & Minibar Dual Color Standard								SAE J845		CA Title 13		ECE R65	
Pattern No.	LED Color 1 Red wire	LED Color 2 White wire	LED Color 1 & Color 2 Red & White wire	Description	Sync	Phase	FPM	5517		5517		5517	
								Amber	Blue	Amber	Blue	Amber	Blue
1	1		1	SAE/T13 Single Color 1 Phase 1 (DEFAULT)	Yes	A	75	Class 1A	Class 1A	Class B	Class B	N/A	N/A
	2		2	SAE/T13 Single Color 1 Phase 2	Yes	B							
			3	SAE/T13 Single Split Color Phase 1	Yes	A		N/A	N/A	N/A	N/A	N/A	N/A
			4	SAE/T13 Single Split Color Phase 2	Yes	B		Class 1A	Class 1A	Class B	Class B	N/A	N/A
	1	1	5	SAE/T13 Single Color 2 Phase 1 (DEFAULT)	Yes	A							
		2	6	SAE/T13 Single Color 2 Phase 2	Yes	B		N/A	N/A	N/A	N/A	N/A	N/A
	3	3	7	SAE/T13 Single Dual Color Phase 1	Yes	A							
	4	4	8	SAE/T13 Single Dual Color Phase 2	Yes	B							
5	5	9	SAE/T13 Single Alternating Split Color 1 & Color 2	Yes									
2	6		10	Single Color 1 Phase 1	Yes	A	120	Class 1A	Class 1A	N/A	N/A	Class 1	Class 1
	7		11	Single Color 1 Phase 2	Yes	B							
			12	Single Split Color Phase 1	Yes	A		N/A	N/A	N/A	N/A		
			13	Single Split Color Phase 2	Yes	B		Class 1A	Class 1A	N/A	N/A	Class 1	Class 1
		6	14	Single Color 2 Phase 1	Yes	A							
		7	15	Single Color 2 Phase 2	Yes	B		N/A	N/A	N/A	N/A	N/A	N/A
	8	8	16	Single Dual Color Phase 1	Yes	A							
	9	9	17	Single Dual Color Phase 2	Yes	B							
10	10	18	Single Alternating Split Color 1 & Color 2	Yes									
3	11		19	SAE/T13 Double Color 1 Phase 1	Yes	A	75	Class 1A	Class 1A	Class B	Class B	N/A	N/A
	12		20	SAE/T13 Double Color 1 Phase 2	Yes	B							
			21	SAE/T13 Double Split Color Phase 1	Yes	A		N/A	N/A	N/A	N/A	N/A	N/A
			22	SAE/T13 Double Split Color Phase 2	Yes	B		Class 1A	Class 1A	Class B	Class B	N/A	N/A
		11	23	SAE/T13 Double Color 2 Phase 1	Yes	A							
		12	24	SAE/T13 Double Color 2 Phase 2	Yes	B		N/A	N/A	N/A	N/A	N/A	N/A
	13	13	25	SAE/T13 Double Dual Color Phase 1	Yes	A							
14	14	26	SAE/T13 Double Dual Color Phase 2	Yes	B								
15	15	27	SAE/T13 Double Alternating Split Color 1 & Color 2	Yes									
4	16		28	ECER65/SAE Double Color 1 Phase 1	Yes	A	120	Class 1A	Class 1A	N/A	N/A	Class 1	Class 1
	17		29	ECER65/SAE Double Color 1 Phase 2	Yes	B							
			30	ECER65/SAE Double Split Color Phase 1	Yes	A		N/A	N/A	N/A	N/A	N/A	N/A
			31	ECER65/SAE Double Split Color Phase 2	Yes	B		Class 1A	Class 1A	N/A	N/A	Class 1	Class 1
		16	32	ECER65/SAE Double Color 2 Phase 1	Yes	A							
		17	33	ECER65/SAE Double Color 2 Phase 2	Yes	B		N/A	N/A	N/A	N/A	N/A	N/A
	18	18	34	ECER65/SAE Double Dual Color Phase 1	Yes	A							
19	19	35	ECER65/SAE Double Dual Color Phase 2	Yes	B								
20	20	36	ECER65/SAE Double Alternating Split Color 1 & Color 2	Yes									
5	21		37	SAE/T13 Triple Color 1 Phase 1	Yes	A	75	Class 1A	Class 1A	Class B	Class B	N/A	N/A
	22		38	SAE/T13 Triple Color 1 Phase 2	Yes	B							
			39	SAE/T13 Triple Split Color Phase 1	Yes	A		N/A	N/A	N/A	N/A	N/A	N/A
			40	SAE/T13 Triple Split Color Phase 2	Yes	B		Class 1A	Class 1A	Class B	Class B	N/A	N/A
		21	41	SAE/T13 Triple Color 2 Phase 1	Yes	A							
		22	42	SAE/T13 Triple Color 2 Phase 2	Yes	B		N/A	N/A	N/A	N/A	N/A	N/A
	23	23	43	SAE/T13 Triple Dual Color Phase 1	Yes	A							
		44	SAE/T13 Triple Dual Color Phase 2	Yes	B								
24	24	45	SAE/T13 Triple Alternating Split Color 1 & Color 2	Yes									
6	25		46	SAE/T13 Quad Color 1 Phase 1	Yes	A	75	Class 1A	Class 1A	Class B	Class B	N/A	N/A
	26		47	SAE/T13 Quad Color 1 Phase 2	Yes	B							
			48	SAE/T13 Quad Split Color Phase 1	Yes	A		N/A	N/A	N/A	N/A	N/A	N/A
			49	SAE/T13 Quad Split Color Phase 2	Yes	B		Class 1A	Class 1A	Class B	Class B	N/A	N/A
		25	50	SAE/T13 Quad Color 2 Phase 1	Yes	A							
		26	51	SAE/T13 Quad Color 2 Phase 2	Yes	B		N/A	N/A	N/A	N/A	N/A	N/A
	27	27	52	SAE/T13 Quad Dual Color Phase 1	Yes	A							
28	28	53	SAE/T13 Quad Dual Color Phase 2	Yes	B								
29	29	54	SAE/T13 Quad Alternating Split Color 1 & Color 2	Yes									

New Beacon & Minibar Dual Color Standard								SAE J845		CA Title 13		ECE R65		
Pattern No.	LED Color 1 Red wire	LED Color 2 White wire	LED Color 1 & Color 2 Red & White wire	Description	Sync	Phase	FPM	5517		5517		5517		
								Amber	Blue	Amber	Blue	Amber	Blue	
7	30		55	ECER65/SAE Quad Color 1 Phase 1	Yes	A	120	Class 1A	Class 1A			Class 1	Class 1	
	31		56	ECER65/SAE Quad Color 1 Phase 2	Yes	B								
			57	ECER65/SAE Quad Split Color Phase 1	Yes	A		N/A	N/A	N/A	N/A	N/A	N/A	
			58	ECER65/SAE Quad Split Color Phase 2	Yes	B								
		30	59	ECER65/SAE Quad Color 2 Phase 1	Yes	A		Class 1A	Class 1A			Class 1	Class 1	
		31	60	ECER65/SAE Quad Color 2 Phase 2	Yes	B								
		32	32	61	ECER65/SAE Quad Dual Color Phase 1	Yes		A						
		33	33	62	ECER65/SAE Quad Dual Color Phase 2	Yes		B	N/A	N/A	N/A	N/A	N/A	N/A
	34	34	63	ECER65/SAE Quad Alternating Split Color 1 & Color 2	Yes									
8	35		64	Double Diagonal Alternate Color 1 Phase 1	Yes	A	150							
	36		65	Double Diagonal Alternate Color 1 Phase 2	Yes	B								
			66	Double Diagonal Alternate Split Color Phase 1	Yes	A								
			67	Double Diagonal Alternate Split Color Phase 2	Yes	B								
		35	68	Double Diagonal Alternate Color 2 Phase 1	Yes	A								
		36	69	Double Diagonal Alternate Color 2 Phase 2	Yes	B								
		37	37	70	Double Diagonal Alternate Dual Color Phase 1	Yes		A						
	38	38	71	Double Diagonal Alternate Dual Color Phase 2	Yes	B								
9	39		72	Quad Diagonal Alternate Color 1 Phase 1	Yes	A	150							
	40		73	Quad Diagonal Alternate Color 1 Phase 2	Yes	B								
			74	Quad Diagonal Alternate Split Color Phase 1	Yes	A								
			75	Quad Diagonal Alternate Split Color Phase 2	Yes	B								
		39	76	Quad Diagonal Alternate Color 2 Phase 1	Yes	A								
		40	77	Quad Diagonal Alternate Color 2 Phase 2	Yes	B								
10	41	41	78	Quad Diagonal Alternate Dual Color Phase 1	Yes	A	120							
	42	42	79	Quad Diagonal Alternate Dual Color Phase 2	Yes	B								
	43		80	Fast Rotate Color 1	Yes	A								
11		43	81	Fast Rotate Color 2	Yes	A	150/75							
			82	Fast Rotate Dual (Color 1 then Color 2)	Yes	A								
	44		83	Rotate/Quad Color 1	Yes	A								
12		44	84	Rotate/Quad Color 2	Yes	A	70							
			85	Rotate/Quad Dual (Color 1 then Color 2)	Yes	A								
	45		86	Wave Rotate Color 1	Yes	A								
13		45	87	Wave Rotate Color 2	Yes	A	70							
			88	Wave Rotate Dual (Color 1 then Color 2)	Yes	A								
14			89	Random- Color 1 & Color 2	NO			N/A	N/A	N/A	N/A	N/A	N/A	
14	46		90	ActionScan Color 1 (DEFAULT for just 17" mini bar)	NO									
		46	91	ActionScan Color 2 (DEFAULT for just 17" mini bar)	NO									
			92	ActionScan Color 1 & Color 2 (DEFAULT for just 17" mini bar)	NO									
15	47		93	ZigZag Color 1	Yes		70							
		47	94	ZigZag Color 2	Yes									
			95	ZigZag Color 1 & Color 2	Yes									
16	48		96	Steady burn- Color 1	NO			N/A	N/A	N/A	N/A	N/A	N/A	
		48	97	Steady burn- Color 2	NO			N/A	N/A	N/A	N/A	N/A	N/A	

Warranty

Manufacturer Limited Warranty Policy:

Manufacturer warrants that on the date of purchase this product will conform to Manufacturer's specifications for this product (which are available from the Manufacturer upon request). This Limited Warranty extends for Sixty (60) months from the date of purchase.

DAMAGE TO PARTS OR PRODUCTS RESULTING FROM TAMPERING, ACCIDENT, ABUSE, MISUSE, NEGLIGENCE, UNAPPROVED MODIFICATIONS, FIRE OR OTHER HAZARD; IMPROPER INSTALLATION OR OPERATION; OR NOT BEING MAINTAINED IN ACCORDANCE WITH THE MAINTENANCE PROCEDURES SET FORTH IN MANUFACTURER'S INSTALLATION AND OPERATING INSTRUCTIONS VOIDS THIS LIMITED WARRANTY.

Exclusion of Other Warranties:

MANUFACTURER MAKES NO OTHER WARRANTIES, EXPRESS OR IMPLIED. THE IMPLIED WARRANTIES FOR MERCHANTABILITY, QUALITY OR FITNESS FOR A PARTICULAR PURPOSE, OR ARISING FROM A COURSE OF DEALING, USAGE OR TRADE PRACTICE ARE HEREBY EXCLUDED AND SHALL NOT APPLY TO THE PRODUCT AND ARE HEREBY DISCLAIMED, EXCEPT TO THE EXTENT PROHIBITED BY APPLICABLE LAW. ORAL STATEMENTS OR REPRESENTATIONS ABOUT THE PRODUCT DO NOT CONSTITUTE WARRANTIES.

Remedies and Limitation of Liability:

MANUFACTURER'S SOLE LIABILITY AND BUYER'S EXCLUSIVE REMEDY IN CONTRACT, TORT (INCLUDING NEGLIGENCE), OR UNDER ANY OTHER THEORY AGAINST MANUFACTURER REGARDING THE PRODUCT AND ITS USE SHALL BE, AT MANUFACTURER'S DISCRETION, THE REPLACEMENT OR REPAIR OF THE PRODUCT, OR THE REFUND OF THE PURCHASE PRICE PAID BY BUYER FOR NON-CONFORMING PRODUCT. IN NO EVENT SHALL MANUFACTURER'S LIABILITY ARISING OUT OF THIS LIMITED WARRANTY OR ANY OTHER CLAIM RELATED TO THE MANUFACTURER'S PRODUCTS EXCEED THE AMOUNT PAID FOR THE PRODUCT BY BUYER AT THE TIME OF THE ORIGINAL PURCHASE. IN NO EVENT SHALL MANUFACTURER BE LIABLE FOR LOST PROFITS, THE COST OF SUBSTITUTE EQUIPMENT OR LABOR, PROPERTY DAMAGE, OR OTHER SPECIAL, CONSEQUENTIAL, OR INCIDENTAL DAMAGES BASED UPON ANY CLAIM FOR BREACH OF CONTRACT, IMPROPER INSTALLATION, NEGLIGENCE, OR OTHER CLAIM, EVEN IF MANUFACTURER OR A MANUFACTURER'S REPRESENTATIVE HAS BEEN ADVISED OF THE POSSIBILITY OF SUCH DAMAGES. MANUFACTURER SHALL HAVE NO FURTHER OBLIGATION OR LIABILITY WITH RESPECT TO THE PRODUCT OR ITS SALE, OPERATION AND USE, AND MANUFACTURER NEITHER ASSUMES NOR AUTHORIZES THE ASSUMPTION OF ANY OTHER OBLIGATION OR LIABILITY IN CONNECTION WITH SUCH PRODUCT.

This Limited Warranty defines specific legal rights. You may have other legal rights which vary from jurisdiction to jurisdiction. Some jurisdictions do not allow the exclusion or limitation of incidental or consequential damages.

Product Returns:

If a product must be returned for repair or replacement*, please contact our factory to obtain a Return Goods Authorization Number (RGA number) before you ship the product to Code 3®, Inc. Write the RGA number clearly on the package near the mailing label. Be sure you use sufficient packing materials to avoid damage to the product being returned while in transit.

*Code 3®, Inc. reserves the right to repair or replace at its discretion. Code 3®, Inc. assumes no responsibility or liability for expenses incurred for the removal and /or reinstallation of products requiring service and/or repair.; nor for the packaging, handling, and shipping; nor for the handling of products returned to sender after the service has been rendered.



10986 North Warson Road, St. Louis, MO 63114 USA

Technical Service USA (314) 996-2800

c3_tech_support@code3esg.com

CODE3ESG.com

An ECCO SAFETY GROUP™ Brand

ECCOSAFETYGROUP.com

¡IMPORTANTE! Lea todas las instrucciones antes de instalar y utilizar. Instalador: Este manual se debe entregar al usuario final.



¡ADVERTENCIA!

Si no sigue las instrucciones del fabricante a la hora de instalar o usar el producto, pueden producirse daños materiales, y lesiones graves o incluso mortales a aquellos que pretende proteger!



No instale ni opere este producto de seguridad, a menos que haya leído y comprendido la información de seguridad contenida en este manual.

1. Para garantizar su propia seguridad y la de las personas a las que intenta proteger, es esencial una instalación correcta, combinada con la formación de operador en el uso, cuidado y mantenimiento de los dispositivos de alerta de emergencia.
2. Los dispositivos de advertencia de emergencia a menudo requieren altos voltajes y/o corrientes eléctricas. Tenga cuidado cuando manipule conexiones eléctricas con corriente.
3. Este producto debe estar conectado a tierra correctamente. Una conexión a tierra incorrecta o unas conexiones eléctricas cortocircuitadas pueden provocar arcos de corriente alta, lo que puede ocasionar lesiones personales o daños graves en el vehículo, incluso un incendio.
4. La colocación e instalación adecuadas son vitales para el buen funcionamiento de este dispositivo de alarma. Instale este producto de forma que permita un rendimiento óptimo del sistema y los controles estén situados de modo que el operador pueda alcanzarlos cómodamente y manejar el sistema sin perder en ningún momento el contacto visual con la calzada.
5. No instale este producto ni coloque los cables en la zona de despliegue de un airbag. Si el equipo se monta o coloca en la zona de despliegue de un airbag, el airbag perderá eficacia o el equipo puede salir despedido, lo cual puede causar lesiones graves o incluso mortales. Consulte el manual del propietario del vehículo para conocer la zona de despliegue de los airbags. El usuario u operador son responsables de determinar una posición de montaje adecuada que garantice la seguridad de todos los ocupantes del vehículo, y deben evitar zonas que puedan provocar golpes en la cabeza.
6. Es responsabilidad del operador del vehículo asegurarse de que todas las características de este producto funcionan correctamente durante su uso. Durante su uso, el operador del vehículo debe asegurarse de que no haya componentes del vehículo (como los maleteros o puertas del habitáculo abiertos), personas, vehículos u otros obstáculos que bloqueen la señal de alarma.
7. El uso de este o cualquier otro dispositivo de alarma no garantiza que los conductores puedan o quieran observar o reaccionar a la señal de alarma. Nunca dé por hecho que tiene prioridad de paso. Es responsabilidad enteramente suya asegurarse de que puede continuar de forma segura antes de entrar en una intersección, conducir en sentido contrario, responder a una gran velocidad o caminar por los carriles de tráfico o cerca de ellos.
8. El uso de este equipo está destinado exclusivamente a personal autorizado. El usuario es responsable de conocer y acatar todas las leyes vigentes relacionadas con dispositivos de señales de advertencia. Por lo tanto, el usuario debe comprobar todas las leyes y normativas de ámbito metropolitano, regional, nacional y cualquier otro ámbito pertinente. El fabricante no asume responsabilidad alguna por pérdidas derivadas del uso de este dispositivo de alarma.

Especificaciones

Tamaño:	5517XX	17,0 in x 7,0 in x 2,5 in
	5517XXX	
	5517XX-VM	17,0 in x 7,0 in x 3,0 in
	5517XXX-VM	

Peso:	Montaje fijo	~2,0 libras
	Montaje al vacío	~3,6 libras

Voltaje de entrada: 12-24 VCC

Consumo de corriente: 5,8 A a 12 VCC nominal

Velocidad de destellos: Consulte la tabla de patrones de destellos

Rango de temperatura: -30 °C a 50 °C
-22 °F a 122 °F

Instalación y montaje



¡PRECAUCIÓN!

Al perforar cualquier superficie del vehículo, asegúrese de que no haya cables eléctricos, mangueras de combustible, tapicería, etc. en el área que pudiesen dañarse.



¡ADVERTENCIA!

La velocidad máxima sugerida para el vehículo para un uso seguro del modelo con montaje en vacío es de 65 mph (104 km/h) cuando está colocada en el centro del techo de un vehículo de construcción de acero. Las velocidades más elevadas podrían hacer fallar el montaje desprendiendo la microbarra del vehículo, lo cual podría ocasionar daños a otros vehículos y lesiones o el deceso de los pasajeros. El montaje de vacío magnético no está diseñado para ser un montaje permanente para la microbarra. La unidad con montaje de vacío magnético debe colocarse sobre una superficie magnética suave y plana (es decir, que no sean techos de fibra de vidrio, estriados, etc.). Asegúrese de que el imán se mantenga limpio.



NOTA: El uso del vehículo sin el lente instalado en este producto ocasiona un daño que no se encuentra cubierto por la garantía.

¡IMPORTANTE! Esta unidad es un dispositivo de seguridad y se debe conectar a su propia fuente de poder de fusibles separada para asegurar su funcionamiento continuo si cualquier otro accesorio eléctrico falla.



ADVERTENCIA

El incumplimiento de estas instrucciones puede provocar un incendio o lesiones debido a la acumulación excesiva de calor:

- El operador es responsable de asegurarse de que el enchufe auxiliar encaje correctamente en el tomacorriente auxiliar utilizado.
- Para un funcionamiento adecuado, verifique que el circuito del tomacorriente auxiliar tenga el voltaje específico para suministrar un mínimo de 10 amperios. (Consulte la sección de especificaciones para conocer la corriente nominal en amperios).
- No exceda la capacidad nominal para el tomacorriente auxiliar recomendada por el fabricante del vehículo.
- Mantenga el enchufe auxiliar y el tomacorriente limpios y sin residuos.
- No utilice el enchufe auxiliar cuando esté húmedo.
- Inserte el enchufe auxiliar completamente en el tomacorriente para una conexión adecuada.
- Sujete el enchufe auxiliar, **NO** el cable, para retirarlo del tomacorriente.

Desembalaje y preinstalación

Retire con cuidado la microbarra y colóquela sobre una superficie plana. Examine la unidad en busca de daños debido al transporte y localice todas las piezas. Si se detectan daños o faltan piezas, comuníquese con la empresa de transporte o con ECCO. No utilice piezas dañadas ni rotas.

Montaje fijo:

1. Seleccione la ubicación deseada sobre una superficie plana para instalar la microbarra. La visibilidad del destello y la facilidad de acceso al cableado deben tenerse en cuenta cuando seleccione la ubicación del montaje.
2. Retire los tornillos de la lente y luego retire la lente. Use los cuatro orificios en las esquinas de la base para marcar las ubicaciones de los orificios de montaje.
3. Perfore los orificios con una broca de 7/32".
4. Se puede perforar un quinto orificio para acceder a los cables.
5. Conecte los cables de alimentación como se muestra en la sección de cableado (consulte las Figuras 3 y 4).
6. (Opcional) Coloque la junta de espuma entre la microbarra y la superficie de montaje.
7. Instale la microbarra con los accesorios de montaje M5 provistos.
8. Vuelva a colocar la lente y fíjela con los tornillos correspondientes.

Montaje del imán al vacío:

La función de montaje del imán al vacío incluye una ventosa en la parte inferior de la microbarra, con un imán dentro de la ventosa, para una instalación temporal segura. La microbarra debe colocarse en el centro del techo, donde existe la menor cantidad de curvatura. Antes de instalar, asegúrese de que la superficie de montaje esté limpia y que no haya residuos en la parte inferior de la microbarra ni en el techo del vehículo, ya que podría reducir el poder de sujeción de la ventosa y el imán. Coloque y retire la microbarra sin deslizarla, para evitar rayar la pintura del vehículo. Después de colocarla, la microbarra debe adherirse firmemente a la superficie. Si la unidad se desliza o se mueve con facilidad, no se ha logrado una instalación adecuada. Para liberar el vacío, levante la lengüeta para liberar la esclusa de aire (consulte la Figura 1). Para proteger el montaje del imán al vacío, vuelva a colocar la microbarra en la caja cuando no esté en uso. **No intente colocar la microbarra en una superficie cubierta de hielo.**

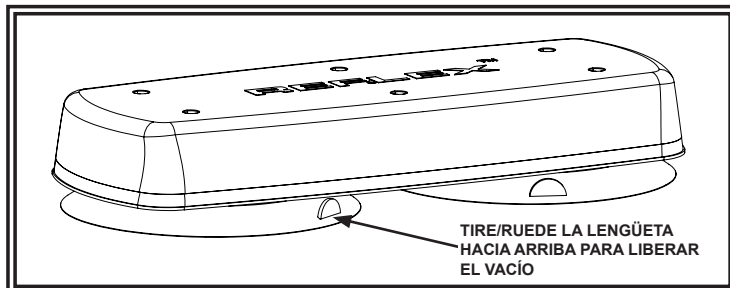


Figura 1

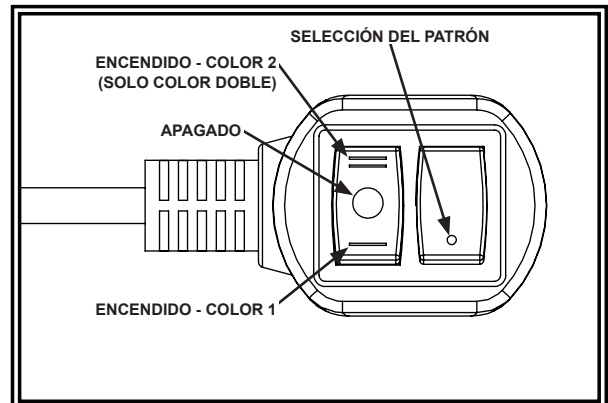


Figura 2

Instrucciones de cableado

“IMPORTANTE! Desconecte la alimentación antes de cablear la microbarra.”

El cableado para la microbarra de montaje fijo se muestra en las Figuras 3 y 4. Todo el cableado debe tener un mínimo de 18 AWG. La línea positiva debe tener un fusible de 10 amperios, como se indica. Se puede usar un interruptor para controlar la función de encendido/apagado.

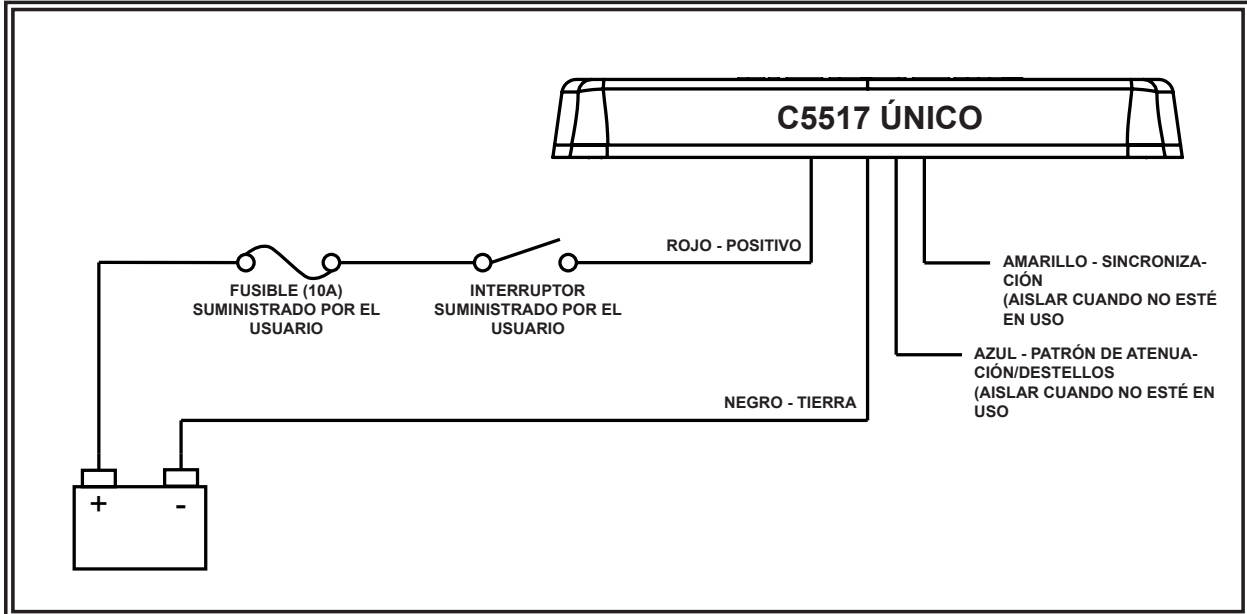


Figura 3

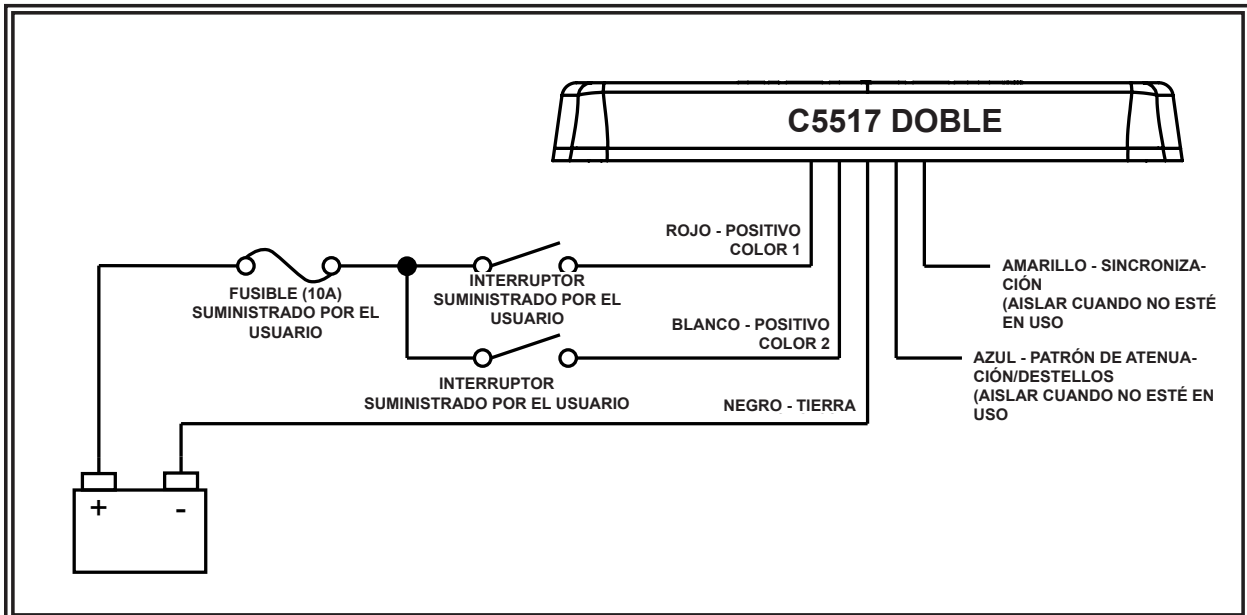


Figura 4

Patrones de destellos

Para seleccionar un patrón de destellos, aplique energía a los cables ROJO o BLANCO o a ambos, ROJO y BLANCO. (El cable BLANCO es solo para color doble). Toque momentáneamente el cable AZUL con el cable NEGRO (tierra) durante menos de 1 segundo para avanzar al siguiente patrón. Para volver al patrón anterior, toque momentáneamente el cable AZUL con el cable NEGRO durante aproximadamente 2 o 3 segundos. Para forzar el patrón de destellos a CONSTANTE, toque momentáneamente el cable AZUL con el cable NEGRO durante aproximadamente 5 segundos. Cuando se utiliza el montaje del imán al vacío, el cable AZUL se conecta a tierra a través del interruptor momentáneo en el enchufe del encendedor, como se muestra en la FIGURA 2. Para obtener más información acerca de los patrones de destellos, consulte las TABLAS DE PATRONES DE DESTELLOS DE COLOR ÚNICO y DOBLE a continuación.

Sincronización:

Las microbarras de montaje fijo se sincronizan con productos compatibles con ECCO a través del cable amarillo:

Determine el estilo deseado del patrón de destellos para cada unidad y configure cada unidad individualmente (sin los cables amarillos conectados entre sí) para evitar confusiones. También se recomienda enfáticamente que se use el mismo estilo del patrón de destellos en todas las unidades para generar el patrón de advertencia más efectivo. (NOTA: Las fases A y B para cada estilo del patrón de destellos en la tabla indican la sincronización relativa entre las unidades conectadas en una instalación sincronizada. Para operar simultáneamente, cada unidad debe configurarse en la misma fase (A + A o B + B); para operar alternativamente, las unidades deben configurarse para tener la fase opuesta (A + B o B + A)).

Conecte los cables de sincronización amarillos y verifique que las unidades parpadeen de manera sincronizada como se esperaba. Si un patrón en una unidad parece incorrecto, el cable de selección del patrón azul se puede usar para avanzar o retroceder en esa unidad individual hasta que se seleccione el patrón correcto. Nota: Esto solo cambiará el patrón en una unidad y no afectará a las otras unidades conectadas al cable de sincronización amarillo. Si el cable amarillo no se usa, déjelo desconectado y aislado.

Función de atenuación:

Para activar la función de atenuación de esta microbarra, conecte el cable AZUL al cable ROJO (+BATT).

Garantía

Garantía limitada del fabricante y restricción de la responsabilidad:

El fabricante garantiza que en la fecha de compra este producto cumplirá con las especificaciones del fabricante para este producto (que el fabricante pone a su disposición si se solicitan). Esta garantía limitada se extiende por sesenta (60) meses a partir de la fecha de compra.

EL DAÑO A LAS PIEZAS O LOS PRODUCTOS CAUSADO POR LA ALTERACIÓN, ACCIDENTE, ABUSO, MAL USO, NEGLIGENCIA, MODIFICACIONES NO AUTORIZADAS, FUEGO U OTRO PELIGRO; INSTALACIÓN U OPERACIÓN INCORRECTAS; O NO REALIZAR EL MANTENIMIENTO DE ACUERDO CON LOS PROCEDIMIENTOS DE MANTENIMIENTO ESTABLECIDOS EN LAS INSTRUCCIONES DE INSTALACIÓN Y DE OPERACIÓN DEL FABRICANTE ANULA ESTA Garantía LIMITADA.

Exclusión de otras garantías:

EL FABRICANTE NO OFRECE NINGUNA OTRA GARANTÍA, EXPRESA O IMPLÍCITA. LAS GARANTÍAS IMPLÍCITAS DE COMERCIABILIDAD, CALIDAD O IDONEIDAD PARA UN OBJETIVO PARTICULAR, O QUE SURJAN DE UNA TRANSACCIÓN, USO O PRÁCTICA DE COMERCIO QUEDAN EXCLUIDAS POR MEDIO DE LA PRESENTE Y NO SERÁN VÁLIDAS PARA EL PRODUCTO, Y SE ANULAN POR MEDIO DE LA PRESENTE, EXCEPTO EN LA MEDIDA EN QUE LO PROHÍBAN LAS LEYES VIGENTES. LAS DECLARACIONES VERBALES O REPRESENTACIONES SOBRE EL PRODUCTO NO CONSTITUYEN GARANTÍAS.

Compensaciones y restricción de la responsabilidad:

LA ÚNICA RESPONSABILIDAD DEL FABRICANTE Y LA ÚNICA Y EXCLUSIVA COMPENSACIÓN DEL COMPRADOR EN VIRTUD DE UN CONTRATO, POR ILÍCITO CIVIL O SEGÚN CUALQUIER SUPUESTO EN CONTRA DEL FABRICANTE RESPECTO AL PRODUCTO Y SU USO SERÁ EL REEMPLAZO O LA REPARACIÓN DEL PRODUCTO, O EL REEMBOLSO DEL PRECIO DE COMPRA PAGADO QUE HAYA PAGADO EL COMPRADOR POR EL PRODUCTO QUE NO CUMPLE CON LOS REQUISITOS. EN NINGÚN CASO LA RESPONSABILIDAD DEL FABRICANTE QUE SURJA DE ESTA GARANTÍA LIMITADA O POR CUALQUIER OTRA RECLAMACIÓN RELACIONADA CON LOS PRODUCTOS DEL FABRICANTE EXCEDERÁ LA CANTIDAD QUE EL COMPRADOR PAGÓ POR EL PRODUCTO EN EL MOMENTO DE LA COMPRA ORIGINAL. EN NINGÚN CASO EL FABRICANTE SERÁ RESPONSABLE POR LUCRO CESANTE, EL COSTO DE LA SUSTITUCIÓN DEL EQUIPO O LA MANO DE OBRA, DAÑOS A LA PROPIEDAD U OTROS DAÑOS ESPECIALES, CONSECUENCIALES O INCIDENTALES QUE SE BASEN EN CUALQUIER RECLAMACIÓN POR INCUMPLIMIENTO DE CONTRATO, INSTALACIÓN INAPROPIADA, NEGLIGENCIA O DE OTRO TIPO, INCLUSO SI SE LE HA INFORMADO AL FABRICANTE O A UN REPRESENTANTE DEL FABRICANTE SOBRE LA POSIBILIDAD DE QUE OCURRAN TALES DAÑOS. EL FABRICANTE NO TENDRÁ NINGUNA OTRA OBLIGACIÓN O RESPONSABILIDAD CON RESPECTO AL PRODUCTO O SU VENTA, OPERACIÓN Y USO, Y EL FABRICANTE NO ASUME NI AUTORIZA EL SUPUESTO DE CUALQUIER OTRA OBLIGACIÓN O RESPONSABILIDAD EN RELACIÓN CON DICHO PRODUCTO.

Esta garantía limitada define derechos legales específicos. Usted puede tener otros derechos legales que varían de una jurisdicción a otra. Algunas jurisdicciones no permiten la exclusión ni la limitación de daños incidentales o consecuenciales.

Devolución de productos:

Si se debe devolver un producto para su reparación o reemplazo*, comuníquese con nuestra fábrica para obtener un número de autorización de devolución de mercancías (número RGA) antes de enviar el producto a Code 3®, Inc. Escriba claramente el número RGA en el paquete cerca de la etiqueta de envío. Asegúrese de utilizar suficientes materiales de embalaje para evitar que el producto en devolución se dañe durante el envío.

* Code 3®, Inc. se reserva el derecho a realizar reparaciones o reemplazar productos según su criterio. Code 3®, Inc. no asume responsabilidad alguna por los gastos efectuados para la extracción o la reinstalación de los productos que requieren servicios o reparaciones, por el embalaje, la manipulación y el envío ni por la manipulación de los productos devueltos al remitente después de que se haya prestado el servicio.



10986 North Warson Road, St. Louis, MO 63114 USA

Servicio Técnico USA (314) 996-2800

c3_tech_support@code3esg.com

CODE3ESG.com

An ECCO SAFETY GROUP™ Brand
ECCOSAFETYGROUP.com

IMPORTANT! Lisez toutes les instructions avant d'installer et d'utiliser le produit. Installateur : ce manuel doit être remis à l'utilisateur final.



AVERTISSEMENT!

Le non-respect des recommandations du fabricant au cours de l'installation ou de l'utilisation de ce produit peut entraîner des dommages matériels et causer à ceux que vous souhaitez protéger des blessures graves, voire mortelles!



N'installez pas et/ou n'utilisez pas ce produit de sécurité avant d'avoir lu et compris les consignes de sécurité fournies.

1. Pour garantir votre sécurité et celle des autres, il est essentiel que le produit soit correctement installé et que l'opérateur soit formé à l'utilisation, l'entretien et la maintenance des dispositifs d'avertissement d'urgence.
2. Les dispositifs d'avertissement d'urgence nécessitent souvent des tensions et/ou des courants électriques élevés. Manipulez les connexions électriques sous tension avec prudence.
3. Ce produit doit être correctement mis à la masse. Une mise à la masse inadéquate ou un court-circuit des connexions électriques peut provoquer l'apparition d'un arc électrique haute tension, susceptible de causer des blessures corporelles ou des dommages graves sur le véhicule, ainsi qu'un incendie.
4. Une installation et un positionnement corrects sont essentiels au bon fonctionnement de ce dispositif d'avertissement. Installez ce produit de manière à optimiser les performances de sortie du système et de sorte que les commandes soient à portée de main de l'opérateur, afin qu'il puisse utiliser le système sans perdre le contact visuel avec la chaussée.
5. N'installez pas ce produit dans la zone de déploiement d'un airbag ; n'acheminez pas non plus de câbles dans cette zone. Tout équipement monté ou situé dans la zone de déploiement d'un airbag est susceptible de réduire l'efficacité de cet airbag ou de devenir un projectile pouvant causer des blessures graves, voire mortelles. Reportez-vous au manuel d'utilisation du véhicule pour en savoir davantage sur la zone de déploiement de l'airbag. Il incombe à l'utilisateur/à l'opérateur de définir un emplacement de montage approprié assurant la sécurité de tous les passagers à l'intérieur du véhicule, en évitant en particulier les zones d'impact potentiel de la tête.
6. Il incombe à l'opérateur du véhicule de s'assurer que toutes les fonctionnalités de ce produit fonctionnent correctement au cours de l'utilisation. Lorsque le produit est en cours d'utilisation, l'opérateur du véhicule doit s'assurer que le signal d'avertissement n'est pas inhibé par des composants du véhicule (comme un coffre ou des portes de compartiment ouverts), des personnes, des véhicules ou d'autres éléments.
7. L'utilisation de ce dispositif d'avertissement ou de tout autre dispositif similaire ne garantit pas que tous les conducteurs observeront un signal d'avertissement ou réagiront à ce signal. Ne prenez jamais la priorité pour acquise. Il est de votre responsabilité de vous assurer que vous pouvez vous déplacer en toute sécurité avant de vous engager dans une intersection, de conduire en sens inverse de la circulation, de réagir à une vitesse élevée et de marcher sur ou autour des voies de circulation.
8. Cet équipement est destiné uniquement au personnel autorisé. Il incombe à l'utilisateur de comprendre et de respecter toutes les lois relatives aux dispositifs de signalisation d'avertissement. Par conséquent, l'utilisateur doit s'informer sur toutes les lois et réglementations en vigueur dans la ville, la région et le pays où il se trouve. Le fabricant décline toute responsabilité en cas de perte découlant de l'utilisation de ce dispositif d'avertissement.

Caractéristiques du produit

Taille :
 5517XX 17,0 po x 7,0 po x 2,5 po
 5517XXX
 5517XX-VM 17,0 po x 7,0 po x 3,0 po
 5517XXX-VM

Poids :
 Montage permanent ~2,0 lbs.
 Montage sous vide ~3,6 lbs.

Tension d'entrée : 12 à 24 VCC

Consommation de courant : 5,8A @ 12 VCC Nominal

Vitesse de clignotement : Voir le tableau des vitesses de clignotement

Temp. Portée : -30 °C à 50 °C
 -22 °F à 122 °F

Installation et montage



ATTENTION!

Lorsque vous percez un trou dans une surface de véhicule, assurez-vous que cette zone est exempte de fils électriques, de canalisations d'essence, de garniture souple, etc. qui pourraient être endommagés.



¡AVERTISSEMENT!

La vitesse maximale recommandée du véhicule pour une utilisation en toute sécurité du modèle à montage à vide est de 104 km/h (65 mph) lorsqu'il est mis en place au centre du toit en acier d'un véhicule. Si vous roulez à des vitesses élevées, la microbarre pourrait se détacher du véhicule et endommager d'autres véhicules, et blesser voire tuer les passagers. Le montage à vide magnétique n'est pas destiné à être un montage permanent de la microbarre. L'unité à montage à vide magnétique doit être montée sur une surface magnétique lisse et plane (pas de fibres de verre, pas de toiture ondulée, etc.). Assurez-vous de garder l'aimant propre.



NOTA: El uso del vehículo sin el lente instalado en este producto ocasiona un daño que no se encuentra cubierto por la garantía.

Importante! Cette unité est un dispositif de sécurité et elle doit être connectée à son propre point d'alimentation indépendant protégé par fusible pour garantir son fonctionnement continu en cas de défaillance d'un autre accessoire électrique.



ATTENTION!

Le non-respect de ces consignes peut entraîner un incendie ou des blessures dues à une accumulation excessive de chaleur :

- L'opérateur doit s'assurer que la fiche auxiliaire s'insère correctement dans la prise de courant auxiliaire utilisée.
- Pour un fonctionnement correct, vérifiez que le circuit de la prise de courant auxiliaire est conçu pour fournir un minimum de 10 ampères. (Voir la section « Caractéristiques du produit » pour le courant nominal en ampères).
- Ne pas dépasser le courant nominal de la prise de courant auxiliaire recommandé par le constructeur du véhicule.
- Maintenir la fiche auxiliaire et la prise de courant propres et exemptes de débris.
- Ne pas utiliser la fiche auxiliaire lorsqu'elle est mouillée.
- Insérer la fiche auxiliaire à fond dans la prise de courant pour assurer une connexion correcte.
- Saisir la fiche auxiliaire, PAS le cordon, pour la retirer de la prise.
- Retirer complètement la fiche auxiliaire de la prise de courant lorsque la lampe n'est pas utilisée.

Déballage et pré-installation

Retirez délicatement le microbar et placez-le sur une surface plane. Examinez l'appareil pour vérifier qu'il n'a pas été endommagé pendant le transport et localiser toutes les pièces. Si des dommages sont constatés ou si des pièces manquent, entrez en contact avec la société de transport ou ECCO. Ne pas utiliser de pièces endommagées ou cassées.

Montage permanent :

1. Sélectionnez l'emplacement souhaité sur une surface plane pour le montage du microbar. La visibilité du flash et la facilité d'accès au câblage doivent être prises en considération lors du choix de l'emplacement de montage.
2. Retirez les vis de la lentille, puis retirez la lentille. Utilisez les quatre trous situés dans les coins de la base pour marquer l'emplacement des trous de montage.
3. Percez les trous en utilisant une taille de foret de 7/32 po.
4. Un cinquième trou peut être percé pour le passage des fils.
5. Branchez les fils d'alimentation comme indiqué dans la section sur le câblage (voir les figures 3 et 4).
6. (Facultatif) Placez le joint en mousse entre le microbar et la surface de montage.
7. Montez le microbar à l'aide du matériel M5 fourni.
8. Remettez la lentille en place et fixez-la à l'aide des vis de la lentille.

Montage magnétique sous vide :

La fonction de montage magnétique sous vide comprend une ventouse au bas du microbar, avec un aimant à l'intérieur de la ventouse, pour un montage sûr et temporaire. Le microbar doit être placé au centre du toit, là où la courbure est la plus faible. Avant l'installation, assurez-vous que la surface de montage est propre et qu'il n'y a pas de débris sur la base du microbar ou sur le toit du véhicule, ce qui pourrait réduire le pouvoir de rétention de la ventouse et de l'aimant. Placez et retirez le microbar sans glisser pour éviter de rayer la peinture du véhicule. Après la mise en place, le microbar doit adhérer fermement à la surface. Si l'appareil glisse ou se déplace facilement, cela signifie que l'installation n'est pas correcte. Pour libérer le vide, soulevez la languette pour libérer le sas (voir figure 1). Pour protéger le montage magnétique sous vide, remettez le microbar dans sa boîte lorsqu'il n'est pas utilisé. **N'essayez pas de fixer le microbar sur une surface recouverte de glace.**

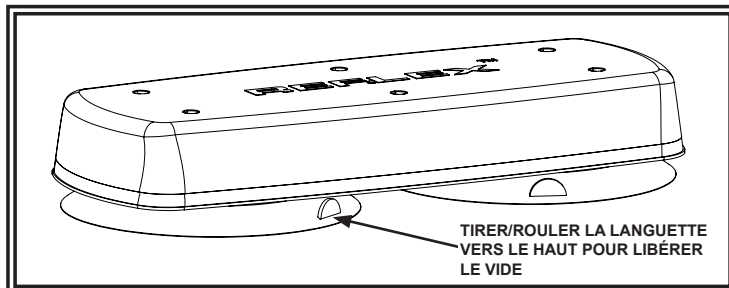


Figure 1

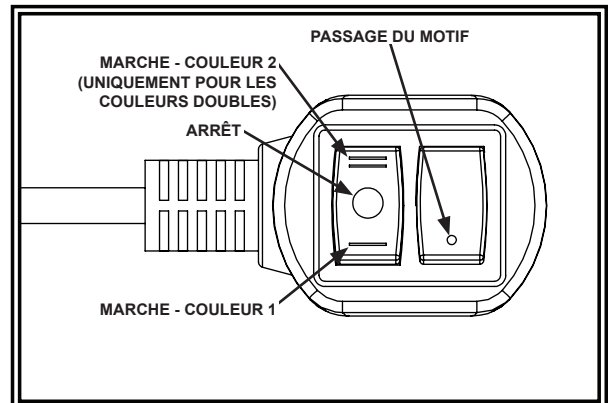


Figure 2

Consignes de câblage

IMPORTANT! Couper l'alimentation avant de procéder au câblage de la microbarre.

Le câblage du microbar à montage permanent est illustré dans les figures 3 et 4. Tous les câbles doivent être au minimum de 18 AWG. La ligne positive doit être équipée d'un fusible de 10 ampères, comme indiqué. Un interrupteur peut être utilisé pour contrôler la fonction Marche/Arrêt.

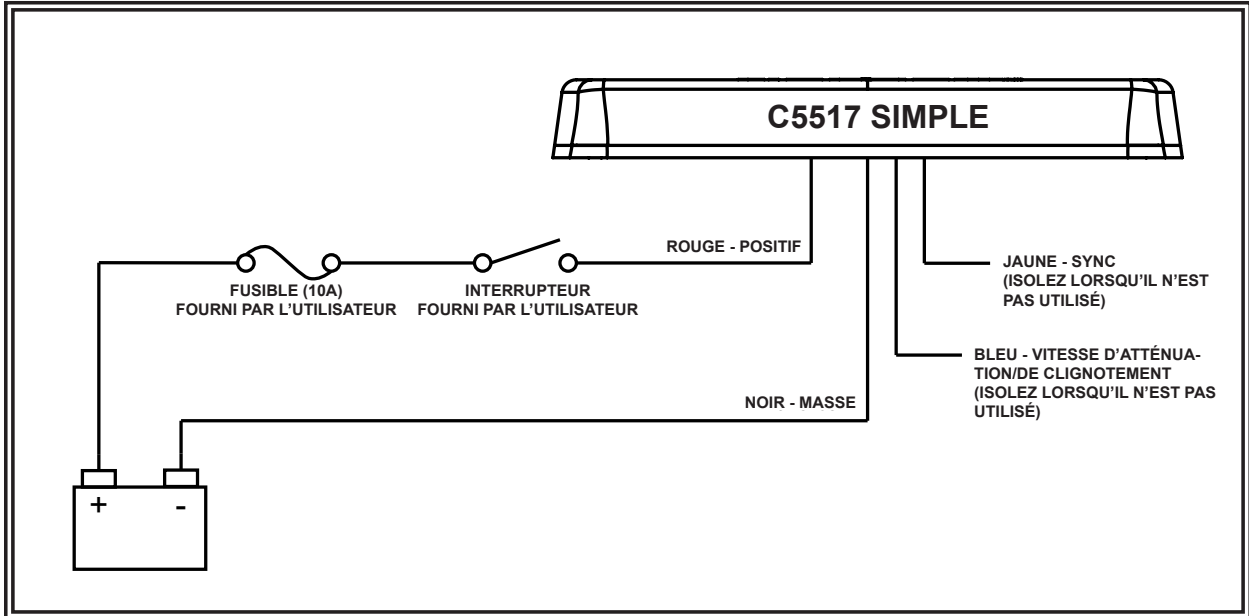


Figure 3

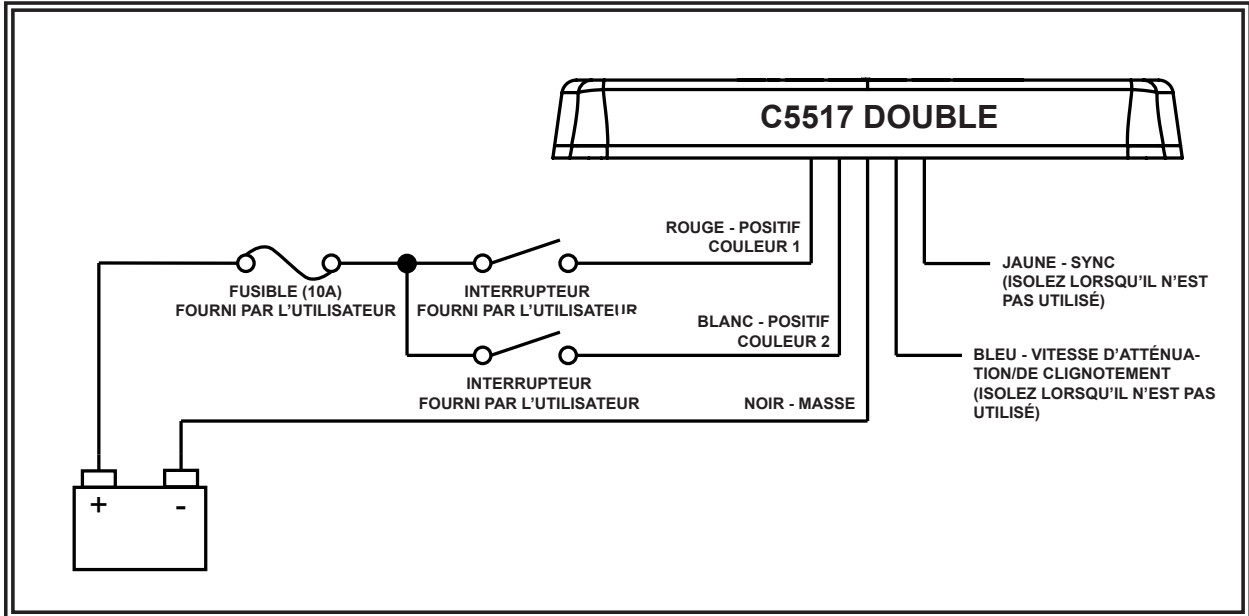


Figure 4

Vitesse de clignotement

Pour sélectionner une vitesse de clignotement, alimentez les fils ROUGE ou BLANC ou les deux fils ROUGE et BLANC. (Le fil BLANC est uniquement pour la couleur double). Touchez momentanément le fil BLEU au fil NOIR (masse) pendant moins d'une seconde pour passer au motif suivant. Pour revenir au motif précédent, touchez momentanément le fil BLEU au fil NOIR pendant environ 2 à 3 secondes. Pour forcer la vitesse de clignotement sur STABLE, touchez momentanément le fil BLEU au fil NOIR pendant environ 5 secondes. En cas d'utilisation du montage magnétique sous vide, le fil BLEU est relié à la masse par l'intermédiaire de l'interrupteur momentané de la prise allume-cigare, comme le montre la FIGURE 2. Pour plus de détails sur les vitesses de clignotement, veuillez consulter les TABLEAUX DE VITESSES DE CLIGNOTEMENT UNICOLORES et BICOLORES ci-dessous.

Synchronisation :

Les microbars à montage permanent se synchronisent avec les produits ECCO compatibles via le fil jaune :

Déterminez le type de vitesse de clignotement souhaitée pour chaque appareil et réglez chaque appareil individuellement (sans que les fils jaunes soient connectés ensemble) afin d'éviter toute confusion. Il est également fortement recommandé d'utiliser le même modèle de vitesse de clignotement sur tous les appareils afin de produire le modèle d'avertissement le plus efficace. (REMARQUE : les phases A et B pour chaque type de vitesse de clignotement dans le tableau indiquent la synchronisation relative entre les appareils connectés dans une installation de synchronisation. Pour fonctionner simultanément, chaque appareil doit être réglé sur la même phase (A + A ou B + B); pour fonctionner alternativement, les appareils doivent être réglés sur la phase opposée (A + B ou B + A)).

Connectez les fils de synchronisation jaunes ensemble et vérifiez que les appareils clignent de manière synchronisée comme prévu. Si le motif d'un appareil semble incorrect, le fil bleu de sélection du motif peut être utilisé pour avancer ou reculer sur cet appareil individuel jusqu'à ce que le motif correct soit sélectionné. Remarque : cette opération ne modifie que le modèle de l'appareil en question et n'affecte pas les autres appareils connectés au fil de synchronisation jaune.

Si le fil jaune n'est pas utilisé, laissez-le non connecté et isolé.

Fonction d'atténuation :

Pour activer la fonction d'atténuation de ce microbar, reliez le fil BLEU au fil ROUGE (+BATT).

Garantie

Garantie limitée du fabricant et limitation de responsabilité :

Le Fabricant garantit qu'à la date de l'achat, ce produit est conforme aux spécifications du Fabricant le concernant (qui sont disponibles sur demande auprès du Fabricant). Cette Garantie limitée s'étend sur soixante(60) mois à compter de la date d'achat.

LES DOMMAGES À DES PIÈCES OU À DES PRODUITS RÉSULTANT D'UNE ALTÉRATION, D'UN ACCIDENT, D'UN ABUS, D'UNE NÉGLIGENCE, DE MODIFICATIONS NON AUTORISÉES, D'UN INCENDIE OU DE TOUT AUTRE DANGER ; DE L'INSTALLATION OU D'UNE UTILISATION INCORRECTE ; OU D'UN DÉFAUT D'ENTRETIEN CONFORME AUX PROCÉDURES DE MAINTENANCE DÉCRITES DANS LES CONSIGNES D'INSTALLATION ET D'UTILISATION DU FABRICANT ANNULENT CETTE GARANTIE LIMITÉE.

Exclusion d'autres garanties :

LE FABRICANT N'ÉMET AUCUNE AUTRE GARANTIE, QU'ELLE SOIT EXPRESSE OU IMPLICITE. LES GARANTIES IMPLICITES DE QUALITÉ MARCHANDE, DE QUALITÉ OU D'ADAPTATION À UN OBJECTIF PARTICULIER, OU DÉCOULANT D'UNE TRANSACTION, D'UN USAGE OU DE PRATIQUES COMMERCIALES, SONT EXCLUES PAR LES PRÉSENTES, NE S'APPLIQUERONT PAS AU PRODUIT, ET SONT DÉCLINÉES PAR LES PRÉSENTES, EXCEPTÉ DANS LA MESURE INTERDITE PAR LA LÉGISLATION EN VIGUEUR. LES DÉCLARATIONS ORALES OU AUTRES DÉCLARATIONS CONCERNANT LE PRODUIT NE CONSTITUENT PAS DES GARANTIES.

Recours et limitation de responsabilité :

LA SEULE RESPONSABILITÉ DU FABRICANT ET LE RECOURS EXCLUSIF DE L'ACHETEUR CONTRE LE FABRICANT, PAR CONTRAT, EN CAS DE DÉLIT (Y COMPRIS LA NÉGLIGENCE), OU SELON TOUTE AUTRE THÉORIE, EN CE QUI CONCERNE LE PRODUIT ET SON UTILISATION, SE LIMITERONT, À LA DISCRÉTION DU FABRICANT, AU REMPLACEMENT OU À LA RÉPARATION DU PRODUIT, OU AU REMBOURSEMENT DU PRIX D'ACHAT PAYÉ PAR L'ACHETEUR POUR LE PRODUIT NON CONFORME. EN AUCUN CAS LA RESPONSABILITÉ DU FABRICANT DÉCOULANT DE CETTE GARANTIE LIMITÉE OU DE TOUTE AUTRE RÉCLAMATION RELATIVE AUX PRODUITS DU FABRICANT NE DÉPASSERA LE MONTANT PAYÉ PAR L'ACHETEUR POUR LE PRODUIT AU MOMENT DE L'ACHAT INITIAL. EN AUCUN CAS LE FABRICANT NE POURRA ÊTRE TENU POUR RESPONSABLE DE LA PERTE DE PROFITS, DU COÛT DE L'ÉQUIPEMENT OU DE LA MAIN D'OEUVRE DE REMPLACEMENT, DES DOMMAGES MATÉRIELS, OU D'AUTRES DOMMAGES SPÉCIAUX, CONSÉCUTIFS OU INCIDENTS EN SE BASANT SUR UNE RÉCLAMATION POUR RUPTURE DE CONTRAT, INSTALLATION INAPPROPRIÉE, NÉGLIGENCE OU TOUTE AUTRE RÉCLAMATION, MÊME SI LE FABRICANT OU UN REPRÉSENTANT DU FABRICANT A ÉTÉ AVERTI DE LA POSSIBILITÉ DE TELS DOMMAGES. LE FABRICANT N'A AUCUNE AUTRE OBLIGATION OU RESPONSABILITÉ EN CE QUI CONCERNE LE PRODUIT OU SA VENTE, SON FONCTIONNEMENT ET SON UTILISATION, ET LE FABRICANT N'ASSUME NI N'AUTORISE EN AUCUN CAS L'HYPOTHÈSE D'UNE AUTRE OBLIGATION OU RESPONSABILITÉ EN RELATION AVEC CE PRODUIT.

Cette Garantie limitée définit des droits légaux spécifiques. Vous pouvez avoir d'autres droits légaux qui varient d'une juridiction à l'autre. Certaines juridictions ne permettent pas l'exclusion ou la limitation des dommages indirects ou consécutifs.

Retours de produits :

Si un produit doit être retourné pour réparation ou remplacement*, veuillez communiquer avec notre usine pour obtenir un numéro d'autorisation de retour de marchandises (numéro RGA) avant d'expédier le produit à Code 3^{MD}, Inc. Inscrivez clairement le numéro RGA sur l'emballage, près de l'étiquette d'expédition. Veuillez à utiliser suffisamment de matériaux d'emballage pour éviter d'endommager le produit retourné en cours de transport.

*Code 3^{MD}, Inc. se réserve le droit de réparer ou de remplacer le produit à sa discrétion. Code 3^{MD}, Inc. n'assume aucune responsabilité pour les dépenses engagées pour le retrait ou la réinstallation des produits nécessitant une réparation ou un entretien; ni pour l'emballage, la manutention et l'expédition; ni pour la manutention des produits retournés à l'expéditeur après la prestation.



10986 North Warson Road, St. Louis, MO 63114 USA
Service Technique USA (314) 996-2800
c3_tech_support@code3esg.com
CODE3ESG.com

An ECCO SAFETY GROUP™ Brand
ECCOSAFETYGROUP.com