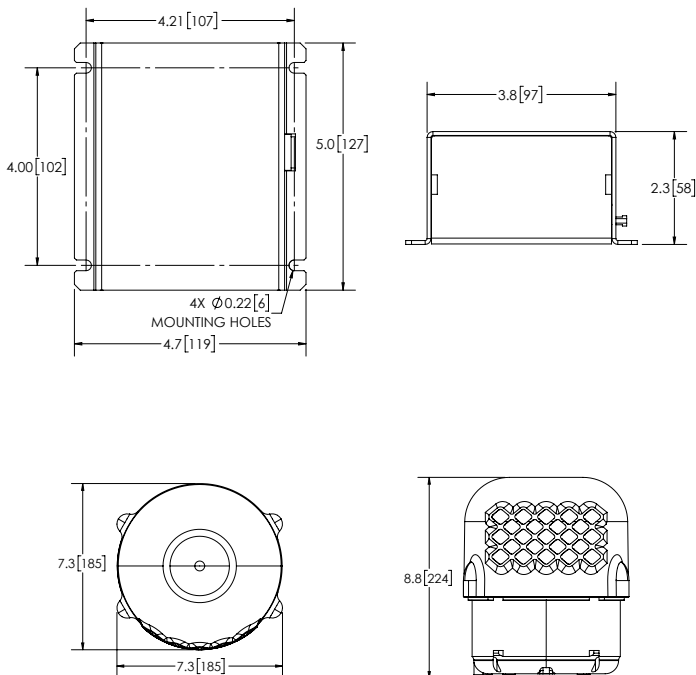


TREMOR™ LOW FREQUENCY SPEAKER



Code 3's Tremor™ low-frequency speaker amplifies siren tones as deep low-end sound waves. These low-frequency tones make emergency vehicles more prominently heard at near and far distances, significantly enhancing first responder safety in urban areas and intersections. The Tremor runs in line with the existing siren amp and can be activated via sources such as the vehicle's horn or the siren's push button controller for easy activation. Activation intervals range between 7.5 and 60 seconds with automatic shut off. Tremor kits come with an amplifier, two speakers, and two universal brackets.



VOLTS	12V
WATTS	100W / 200W
DIMS	8.8" H x 8.3" Diameter 224mm H x 210mm Diameter (speaker) 2.3" H x 4.9" W x 5.7" D 58mm H x 125mm W x 148mm D (amplifier)
DETAILS	<ul style="list-style-type: none"> • Pairs with existing siren to amplify the siren's tones (no built-in tones) • Speaker activates via the vehicle's horn, siren's controller or other power source • Makes emergency vehicles more prominently heard at near and far distances • Custom activation intervals between 7.5 and 60 seconds with automatic shut off • Durable construction holds up in extreme environments • Stainless steel mounting brackets • 125Hz-1,000Hz

MODEL	TYPE
LF-KIT	2 Low-Frequency Speakers, 1 Amplifier
LF-KIT1	1 Low-Frequency Speaker, 1 Amplifier



LF-002
Mounting Bracket
2020+ PIU STRAP, 2 LOW-FREQUENCY SPEAKERS, 1 AMPLIFIER



LF-003
Mounting Bracket
2021+ TAHOE STRAP, 2 LOW-FREQUENCY SPEAKERS, 1 AMPLIFIER



LF-004
Mounting Bracket
2021+ DURANGO STRAP, 1 LOW-FREQUENCY SPEAKER, 1 AMPLIFIER



SPKR-BKT-DS-SVE24
Siren Bracket
2024 SILVERADO EV DRIVER SIDE



SPKR-BKT-PS-SVE24
Siren Bracket
20204 SILVERADO EV PASSENGER



SPKR-BKT-DS-BZE24
Siren Bracket
2024 BLAZER EV DRIVER SIDE



SPKR-BKT-PS-BZE24
Siren Bracket
2024 BLAZER EV PASSENGER