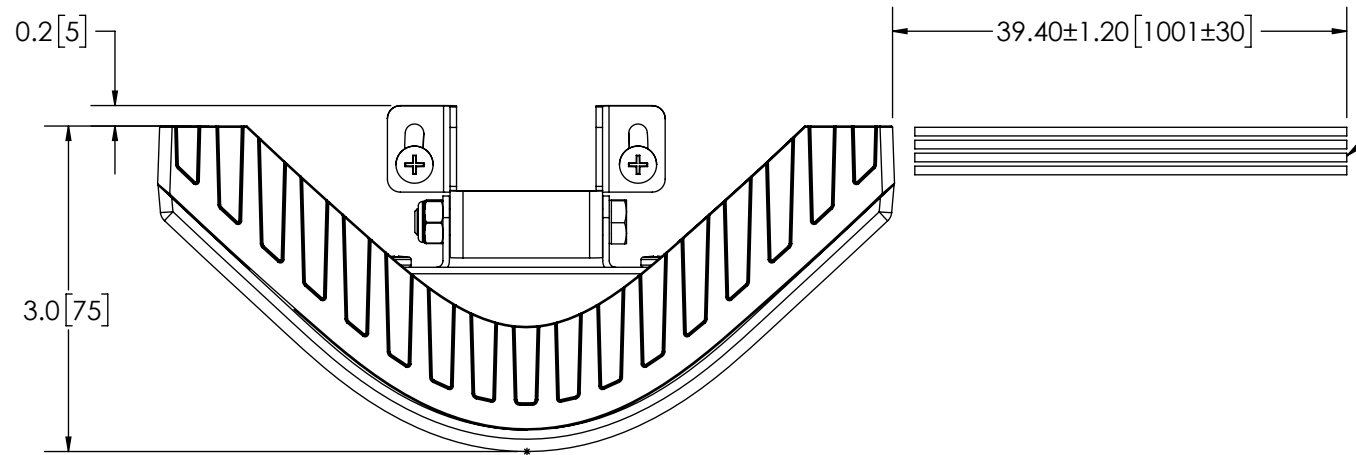


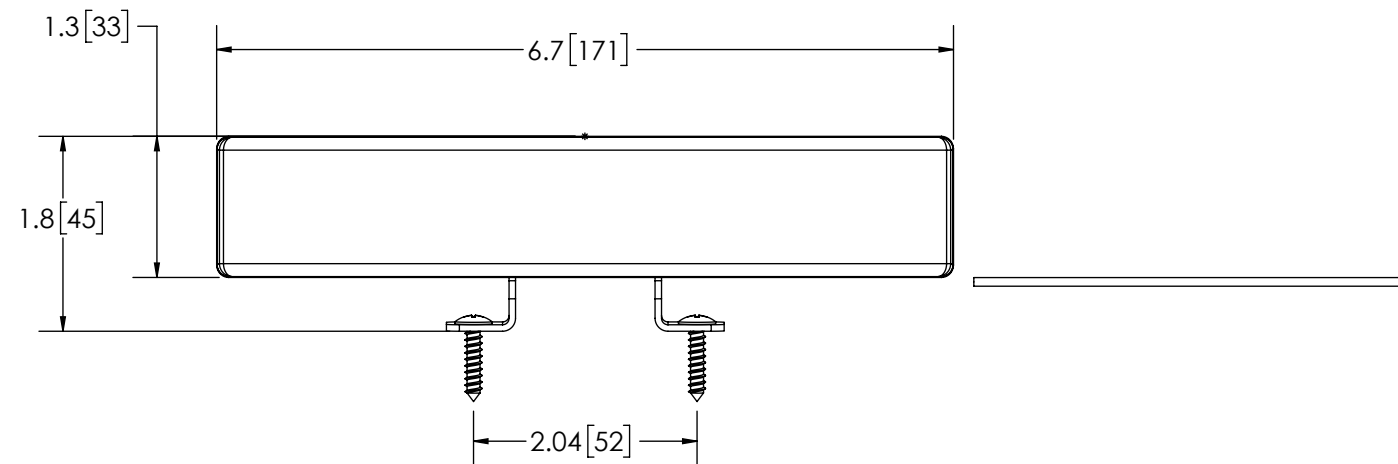
REVISION HISTORY		
REV.	DESCRIPTION	DATE
02	REVISED PER EL0241	2021-10-06
03	REVISED PER EL0241	2021-10-07
A	INITIAL RELEASE PER EL0241	2021-10-11



6-20 AWG WIRES
 RED: POWER (COLOR 1) - POSITIVE(+)
 PURPLE: POWER (COLOR 2) - POSITIVE(+)
 BLACK: GROUND - NEGATIVE(-)
 BLUE: PATTERN CHANGE - NEGATIVE(-)
 YELLOW: SYNC - CONNECT UP TO 6
 WHITE: DIMMING - NEGATIVE(-)

SPECIFICATIONS

- CERTIFICATIONS: ECE R10; AMECA/SAE J595 (MAR 2014) CLASS 1; J845 (FEB 2019) CLASS 1S; CA Title 13 CLASS B; IP67; NFPA
 Note: Unique components, accessories, and hardware kits are not typically included in the Product Certification Test Protocols. Unless otherwise Specified, the Product Certifications referred to herein are predicated upon the base product model configuration.
- FLASH MODE: FLASH MODE 1 = SINGLE 120 FPM
 FLASH MODE 2 = DOUBLE 120 FPM
 FLASH MODE 3 = QUAD 120 FPM
 FLASH MODE 4 = SINGLE 75 FPM
 FLASH MODE 5 = DOUBLE 75 FPM
 FLASH MODE 6 = QUAD 75 FPM
 FLASH MODE 7 = STEADY BURN
- VOLTAGE (NOMINAL): 12-24 VDC
- VOLTAGE (EXTREME): 9-32 VDC
- CURRENT (PEAK): 0.99A (@ 12 VDC NOMINAL)
- POWER (MAXIMUM): 16.4W (@ 12 VDC NOMINAL)
- TEMPERATURE RANGE: -22°F (-30°C) TO 122°F (50°C)
- CONNECTION: 6-22 AWG WIRES
- MOUNTING: 2 BOLT
- BASE MATERIAL: ALUMINUM
- LENS MATERIAL: POLYCARBONATE
- PRODUCT WEIGHT: 0.88 LBS (0.4 Kg)




COLOR CHART	
FGS. NO.	COLOR
CD5101CAW	CLEAR/AMBER/WHITE
CD5101CAB	CLEAR/AMBER/BLUE
CD5101CAR	CLEAR/AMBER/RED
CD5101CAG	CLEAR/AMBER/GREEN

NOTES:
 1. DIMENSIONS IN INCHES[MILLIMETERS (FOR REFERENCE)]

PROPRIETARY AND CONFIDENTIAL INFORMATION

THIS DRAWING AND THE DESIGN AND OTHER INFORMATION DISCLOSED HEREIN ARE THE PROPERTY OF ELECTRONIC CONTROLS COMPANY AND/OR ITS ECCO SAFETY GROUP AFFILIATES ("ECCO") AND IS ISSUED IN CONFIDENCE TO RECIPIENT FOR ENGINEERING INFORMATION PURPOSES ONLY. THIS DRAWING AND THE DESIGN AND OTHER INFORMATION DISCLOSED HEREIN MAY NOT BE USED, COPIED, REPRODUCED OR OTHERWISE DISCLOSED IN PART OR IN WHOLE TO THIRD PARTIES OR USED FOR ANY OTHER PURPOSE WITHOUT PRIOR ECCO WRITTEN CONSENT. ECCO RESERVES ALL PATENT, COPYRIGHT, TRADEMARK AND OTHER PROPRIETARY RIGHTS TO THIS DOCUMENT, INCLUDING ALL DESIGN, MANUFACTURING, REPRODUCTION, USE AND SALES RIGHTS THEREIN. THIS DRAWING IS SUBJECT TO RECALL BY ECCO AT ANY TIME, AND YOUR POSSESSION AND/OR USE CONSTITUTES ACCEPTANCE OF THESE TERMS. ©2021 ELECTRONIC CONTROLS COMPANY

SCALE 1:1.75	APPROVALS	DATE	 ECCO www.eccolink.com Americas (800) 635-5900 Europe +44 (0)113 237 5340 Asia Pacific +61 (0)3 63322444											
CAD GENERATED DRAWING DO NOT MANUALLY UPDATE.	DRAWN BY ABD	2021-10-07												
TOLERANCES ARE IN INCHES, AND MILLIMETERS TOLERANCES UNLESS OTHERWISE STATED ARE:	CHECKED JW	2021-10-08												
<table border="1"> <tr> <td>MILLIMETERS DECIMALS</td> <td>INCHES DECIMALS</td> <td>ANGLES</td> </tr> <tr> <td>XX. ± 1.0mm</td> <td>X.X ± 0.1</td> <td>± 0.5°</td> </tr> <tr> <td>XX.X ± 0.5mm</td> <td>X.XX ± 0.04</td> <td>FRACTIONS</td> </tr> <tr> <td></td> <td>X.XXX ± 0.02</td> <td>± 1/64</td> </tr> </table>	MILLIMETERS DECIMALS	INCHES DECIMALS		ANGLES	XX. ± 1.0mm	X.X ± 0.1	± 0.5°	XX.X ± 0.5mm	X.XX ± 0.04	FRACTIONS		X.XXX ± 0.02	± 1/64	MECH. ENG.
MILLIMETERS DECIMALS	INCHES DECIMALS	ANGLES												
XX. ± 1.0mm	X.X ± 0.1	± 0.5°												
XX.X ± 0.5mm	X.XX ± 0.04	FRACTIONS												
	X.XXX ± 0.02	± 1/64												
	ELEC. ENG.		DIR, CORNER, 12LED, 12-24VDC, CLR LENS CUSTOMER PART NO. SEE CHART											
	TEST ENG. JRT	2021-10-08	SIZE: B DWG. NO. CD5101XXX Project: EL0241 Date Created: 2021-10-04											
	SALES.		SHEET 1 OF 1 Rev. A Electronically Controlled Use Latest Copy											